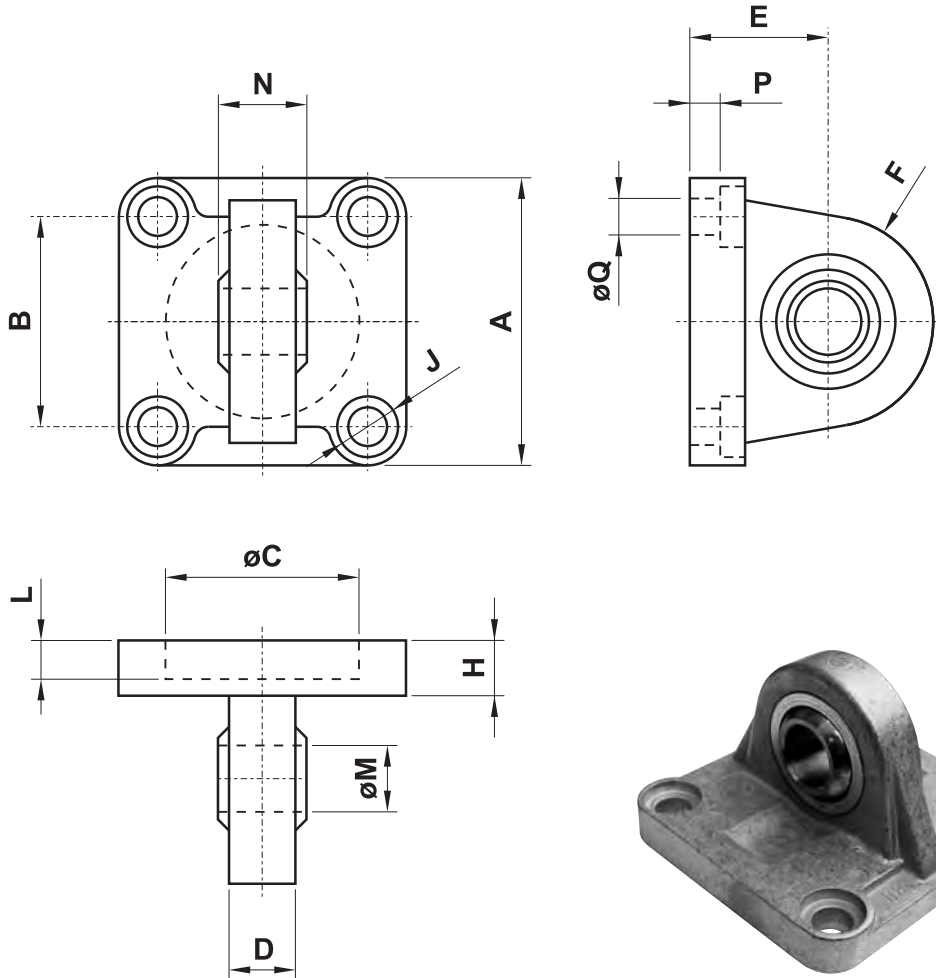


CERNIERA MASCHIO STRETTA CON TESTINA SNODATA DIN 648 K (narrow male hinge with articulated head DIN 648 K)



6

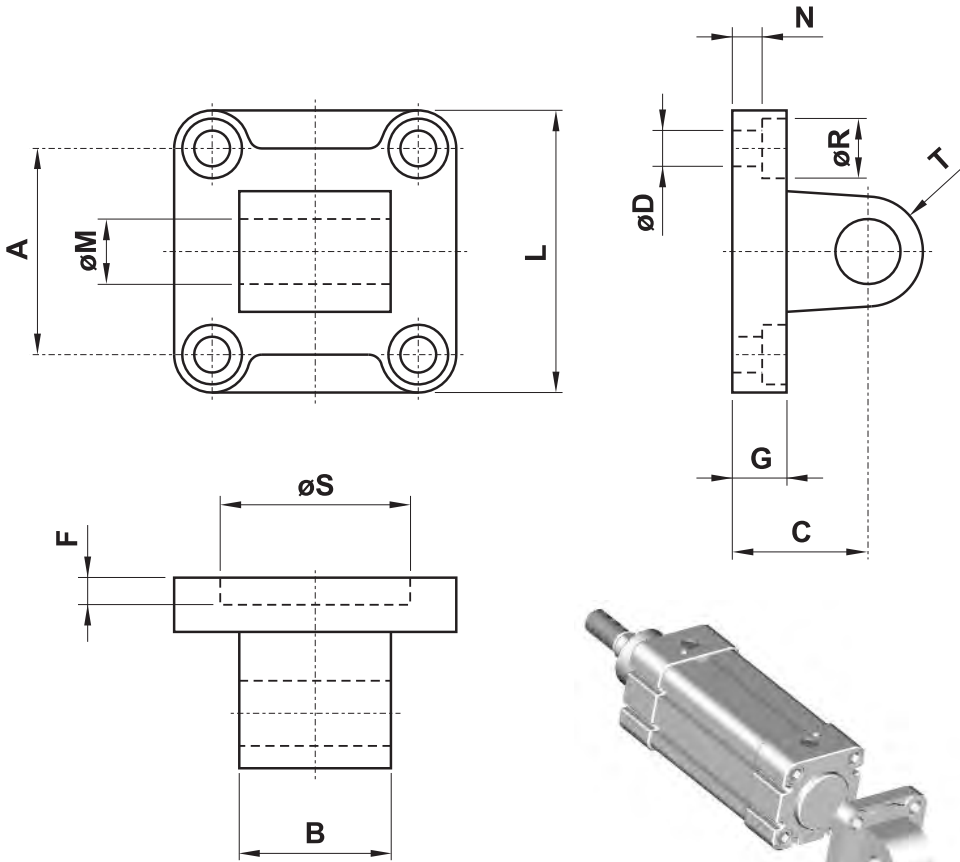
| sigla part number | per alesaggio for bore | A | B | C | D | E | F | H | J | L | M | N | P | Q |
|----------------------|---------------------------|-----|------|----|------|----|------|----|-----|---|----|----|-----|------|
| CMSS032 | 32 | 45 | 32.5 | 30 | 10.5 | 22 | 16 | 9 | Ø11 | 5 | 10 | 14 | 5.5 | 6.6 |
| CMSS040 | 40 | 52 | 38 | 35 | 12 | 25 | 19 | 9 | Ø11 | 5 | 12 | 16 | 5.5 | 6.6 |
| CMSS050 | 50 | 65 | 46.5 | 40 | 15 | 27 | 21 | 11 | Ø15 | 5 | 16 | 21 | 6.5 | 9 |
| CMSS063 | 63 | 75 | 56.5 | 45 | 15 | 32 | 24 | 11 | Ø15 | 5 | 16 | 21 | 6.5 | 9 |
| CMSS080 | 80 | 95 | 72 | 45 | 18 | 36 | 28.5 | 14 | Ø18 | 5 | 20 | 25 | 10 | 11 |
| CMSS100 | 100 | 115 | 89 | 55 | 18 | 41 | 30 | 14 | Ø18 | 5 | 20 | 25 | 10 | 11 |
| CMSS125 | 125 | 140 | 110 | 60 | 25 | 50 | 40 | 20 | Ø20 | 7 | 30 | 37 | 10 | 13.5 |
| CMSS160 | 160 | 180 | 140 | 65 | 28 | 55 | 45 | 20 | Ø26 | 7 | 35 | 43 | 10 | 18 |
| CMSS200 | 200 | 220 | 175 | 75 | 28 | 60 | 48 | 25 | Ø26 | 7 | 35 | 43 | 11 | 18 |

fissaggi per cilindri ISO 15552 (ex ISO 6431)

fixing elements for cylinders ISO 15552 (ex ISO 6431)



CERNIERA MASCHIO MP4 (male hinge MP4)



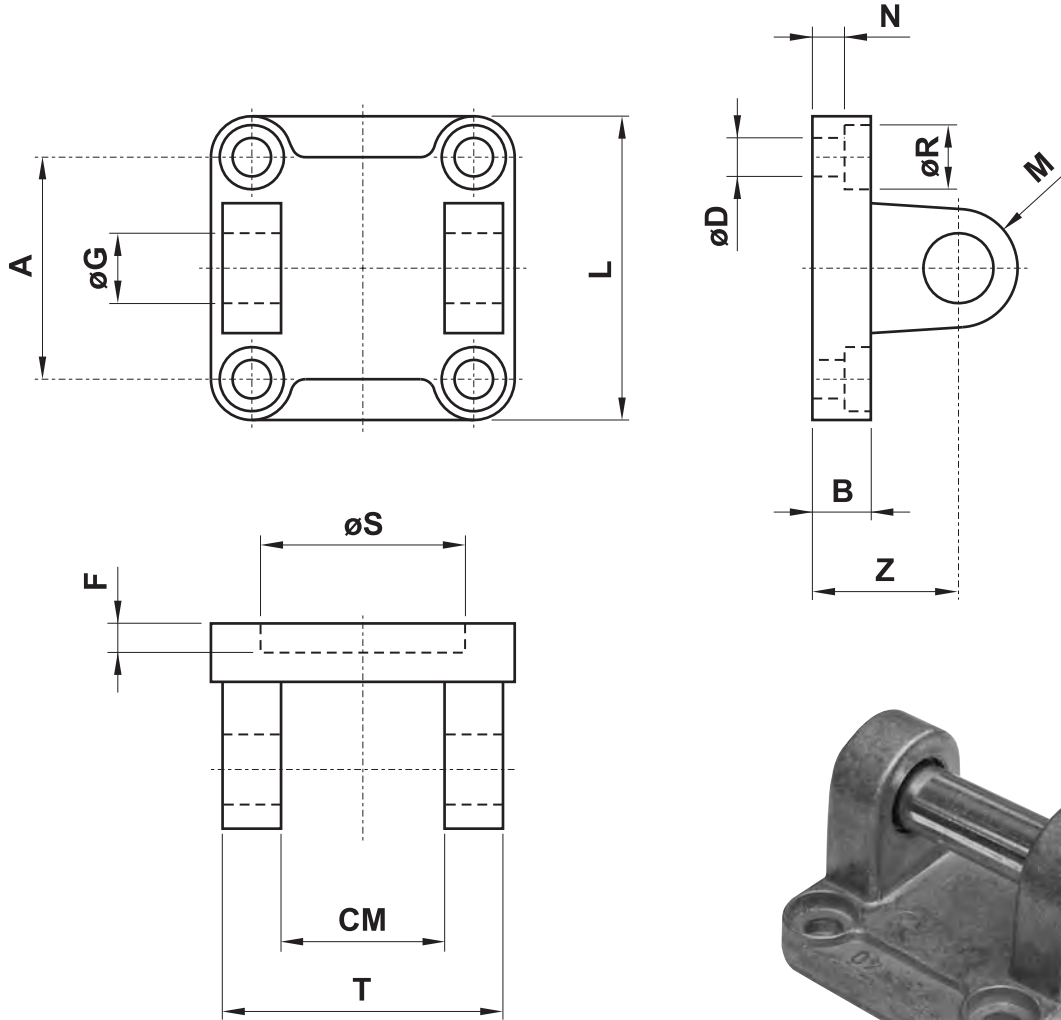
6

| sigla part number | sigla part number | per alesaggio for bore | A | B | C | D | F | G | L | M | N | R | S | T |
|----------------------|-----------------------|---------------------------|------|----|----|-----|---|----|-----|----|-----|----|----|----|
| standard | con boccola di bronzo | | | | | | | | | | | | | |
| | CMKS025 (*) | 25 | 26 | 16 | 20 | 5.5 | 3 | 6 | 38 | 8 | 2.6 | 10 | 12 | 8 |
| CMIS032 | CMKS032 | 32 | 32.5 | 26 | 22 | 6.6 | 5 | 9 | 45 | 10 | 5.5 | 11 | 30 | 10 |
| CMIS040 | CMKS040 | 40 | 38 | 28 | 25 | 6.6 | 5 | 9 | 52 | 12 | 5.5 | 11 | 35 | 12 |
| CMIS050 | CMKS050 | 50 | 46.5 | 32 | 27 | 9 | 5 | 11 | 65 | 12 | 6.5 | 15 | 40 | 12 |
| CMIS063 | CMKS063 | 63 | 56.5 | 40 | 32 | 9 | 5 | 11 | 75 | 16 | 6.5 | 15 | 45 | 16 |
| CMIS080 | CMKS080 | 80 | 72 | 50 | 36 | 11 | 5 | 14 | 95 | 16 | 10 | 18 | 45 | 16 |
| CMIS100 | CMKS100 | 100 | 89 | 60 | 41 | 11 | 5 | 14 | 115 | 20 | 10 | 18 | 55 | 20 |
| CMIS125 | CMKS125 | 125 | 110 | 70 | 50 | 14 | 7 | 20 | 140 | 25 | 10 | 20 | 60 | 25 |
| CMIS160 | CMKS160 | 160 | 140 | 90 | 55 | 18 | 7 | 20 | 180 | 30 | 10 | 26 | 65 | 25 |
| CMIS200 | CMKS200 | 200 | 175 | 90 | 60 | 18 | 7 | 25 | 220 | 30 | 11 | 26 | 75 | 25 |

* CMKS025: utilizzabile solo per i cilindri compatti ISO 21287 (vedi pag. 604)

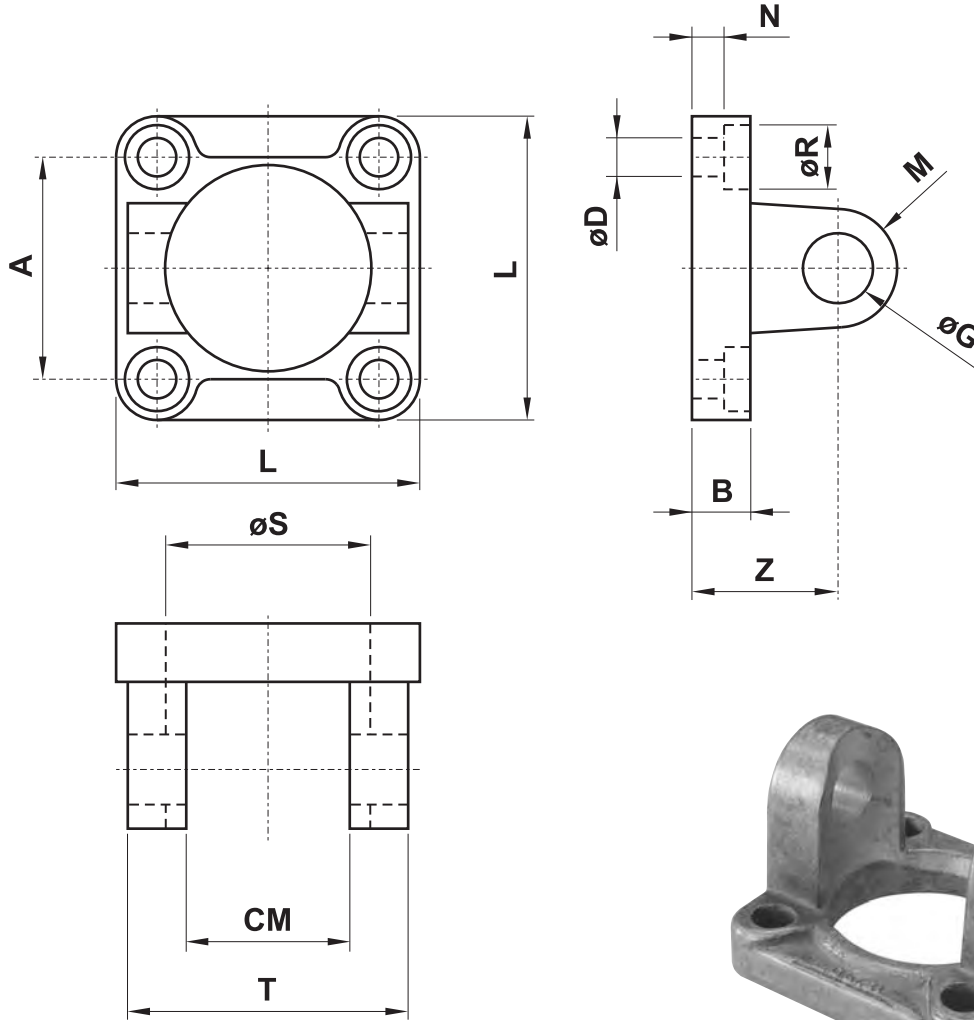
* CMKS025: it can be used only for compact cylinders ISO 21287 (refer to page 604)

CERNIERA FEMMINA MP2 CON PERNO (female hinge MP2 with pin)



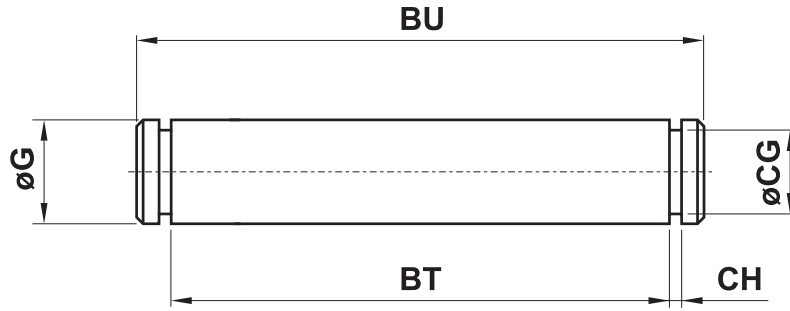
| sigla part number | sigla part number | per alesaggio for bore | A | B | CM | D | F | G | L | M | N | R | S | T | Z |
|----------------------|-----------------------|---------------------------|------|----|----|-----|---|----|-----|----|-----|----|----|-----|----|
| standard | con boccola di bronzo | | | | | | | | | | | | | | |
| CFIS032 | CFKS032 | 32 | 32.5 | 9 | 26 | 6.6 | 5 | 10 | 45 | 10 | 5.5 | 11 | 30 | 45 | 22 |
| CFIS040 | CFKS040 | 40 | 38 | 9 | 28 | 6.6 | 5 | 12 | 52 | 12 | 5.5 | 11 | 35 | 52 | 25 |
| CFIS050 | CFKS050 | 50 | 46.5 | 11 | 32 | 9 | 5 | 12 | 65 | 12 | 6.5 | 15 | 40 | 60 | 27 |
| CFIS063 | CFKS063 | 63 | 56.5 | 11 | 40 | 9 | 5 | 16 | 75 | 16 | 6.5 | 15 | 45 | 70 | 32 |
| CFIS080 | CFKS080 | 80 | 72 | 14 | 50 | 11 | 5 | 16 | 95 | 16 | 10 | 18 | 45 | 90 | 36 |
| CFIS100 | CFKS100 | 100 | 89 | 14 | 60 | 11 | 5 | 20 | 115 | 20 | 10 | 18 | 55 | 110 | 41 |
| CFIS125 | CFKS125 | 125 | 110 | 20 | 70 | 14 | 7 | 25 | 140 | 25 | 10 | 20 | 60 | 130 | 50 |
| CFIS160 | CFKS160 | 160 | 140 | 20 | 90 | 18 | 7 | 30 | 180 | 25 | 10 | 26 | 65 | 170 | 55 |
| CFIS200 | CFKS200 | 200 | 175 | 25 | 90 | 18 | 7 | 30 | 220 | 25 | 11 | 26 | 75 | 170 | 60 |

CERNIERA FEMMINA ANTERIORE CON FORO, SENZA PERNO (female front hinge with passing-through hole, without pin)



| sigla part number | per alesaggio for bore | A | B | CM | D | G | L | M | N | R | S | T | Z |
|----------------------|---------------------------|------|----|----|-----|----|-----|----|-----|----|----|-----|----|
| standard | | | | | | | | | | | | | |
| CAIS032SP | 32 | 32.5 | 9 | 26 | 6.6 | 10 | 45 | 10 | 5.5 | 11 | 30 | 45 | 22 |
| CAIS040SP | 40 | 38 | 9 | 28 | 6.6 | 12 | 52 | 12 | 5.5 | 11 | 35 | 52 | 25 |
| CAIS050SP | 50 | 46.5 | 11 | 32 | 9 | 12 | 65 | 12 | 6.5 | 15 | 40 | 60 | 27 |
| CAIS063SP | 63 | 56.5 | 11 | 40 | 9 | 16 | 75 | 16 | 6.5 | 15 | 45 | 70 | 32 |
| CAIS080SP | 80 | 72 | 14 | 50 | 11 | 16 | 95 | 16 | 10 | 18 | 45 | 90 | 36 |
| CAIS100SP | 100 | 89 | 14 | 60 | 11 | 20 | 115 | 20 | 10 | 18 | 55 | 110 | 41 |
| CAIS125SP | 125 | 110 | 20 | 70 | 14 | 25 | 140 | 25 | 10 | 20 | 60 | 130 | 50 |

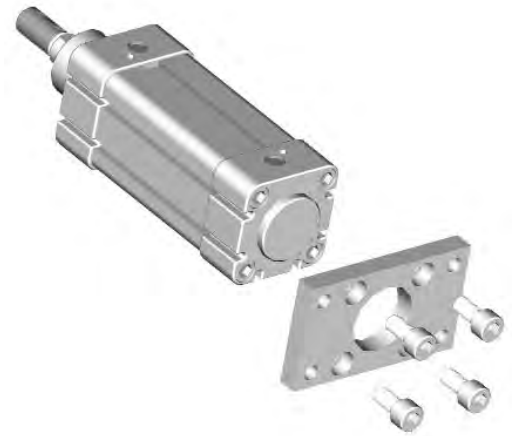
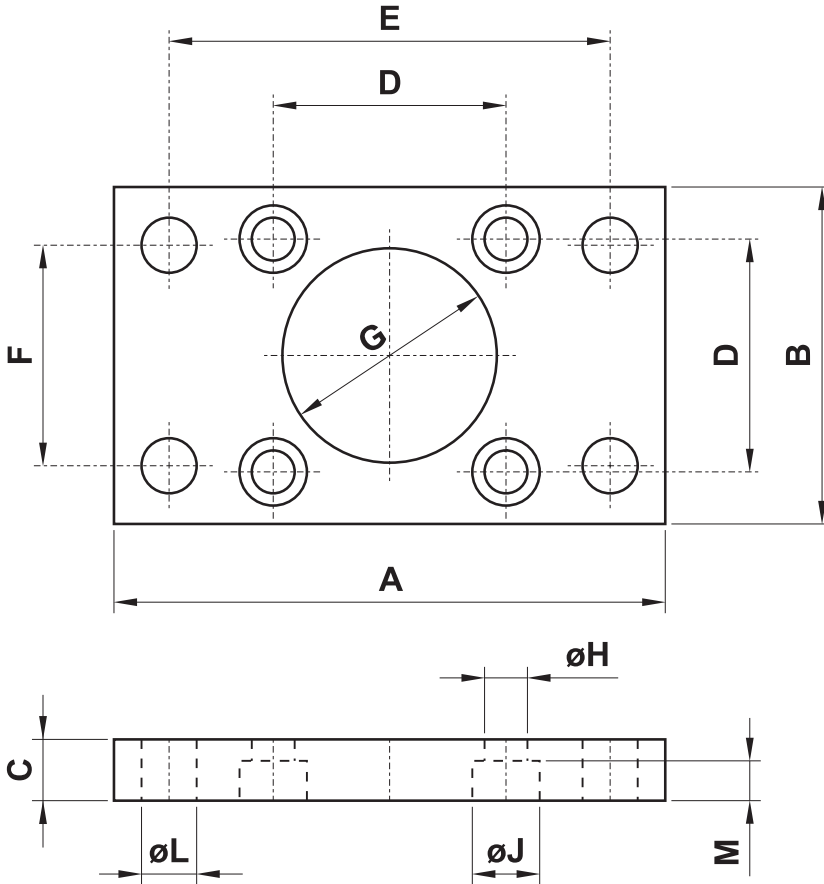
PERNO PER CERNIERA FEMMINA MP2 (pin for female hinge MP2)



| sigla part number | per alesaggio for bore | øG | BT | øCG | CH | BU |
|----------------------|---------------------------|----|-------|------|-----|-----|
| PERNO/32 | 32 | 10 | 46 | 9.6 | 1.1 | 53 |
| PERNO/40 | 40 | 12 | 53 | 11.5 | 1.1 | 60 |
| PERNO/50 | 50 | 12 | 61 | 11.5 | 1.1 | 68 |
| PERNO/63 | 63 | 16 | 71 | 15.2 | 1.1 | 78 |
| PERNO/80 | 80 | 16 | 91 | 15.2 | 1.1 | 98 |
| PERNO/100 | 100 | 20 | 111 | 19 | 1.3 | 118 |
| PERNO/125 | 125 | 25 | 132 | 23.9 | 1.3 | 139 |
| PERNO/160 | 160-200 | 30 | 171.5 | 28.6 | 1.6 | 178 |

Il perno è fornito in kit con i necessari anelli seeger
The pin is supplied in kit with all necessary seeger rings

FLANGIA (flange)



6

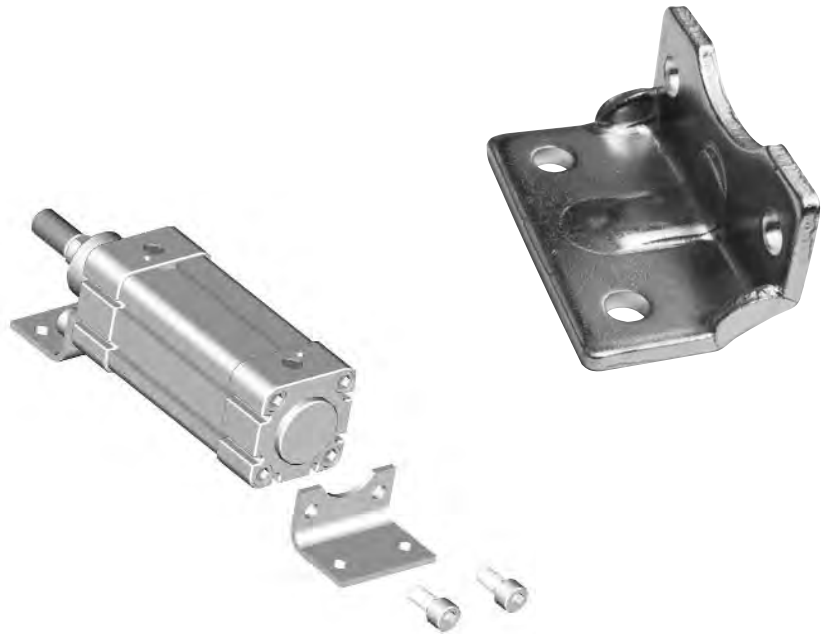
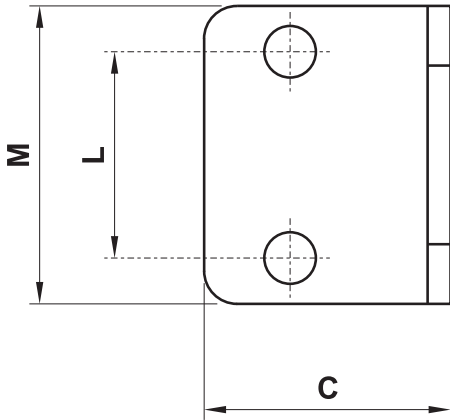
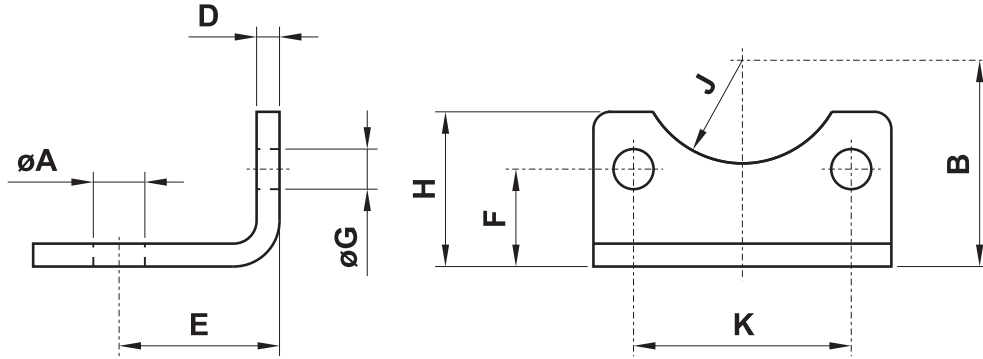
| sigla part number | per alesaggio for bore | A | B | C | D | E | F | G | H | J | L | M |
|----------------------|---------------------------|-----|-----|----|------|-----|-----|-----|------|------|----|------|
| FLIS032 | 32 | 80 | 45 | 10 | 32.5 | 64 | 32 | ø30 | 6.6 | 10.5 | 7 | 6.5 |
| FLIS040 | 40 | 90 | 52 | 10 | 38 | 72 | 36 | ø35 | 6.6 | 11 | 9 | 6.5 |
| FLIS050 | 50 | 110 | 65 | 12 | 46.5 | 90 | 45 | ø40 | 9 | 15 | 9 | 8.5 |
| FLIS063 | 63 | 120 | 75 | 12 | 56.5 | 100 | 50 | ø45 | 9 | 15 | 9 | 8.5 |
| FLIS080 | 80 | 150 | 95 | 16 | 72 | 126 | 63 | ø45 | 11 | 18 | 12 | 10.5 |
| FLIS100 | 100 | 170 | 115 | 16 | 89 | 150 | 75 | ø55 | 11 | 18 | 14 | 10.5 |
| FLIS125 | 125 | 205 | 140 | 20 | 110 | 180 | 90 | ø60 | 13.5 | 20 | 16 | 12.5 |
| FLIS160 | 160 | 260 | 180 | 20 | 140 | 230 | 115 | ø65 | 18 | 26 | 18 | 16.5 |
| FLIS200 | 200 | 300 | 220 | 25 | 175 | 270 | 135 | ø75 | 18 | 26 | 22 | 16.5 |

fissaggi per cilindri ISO 15552 (ex ISO 6431)

fixing elements for cylinders ISO 15552 (ex ISO 6431)



PIEDINO (foot mounting)



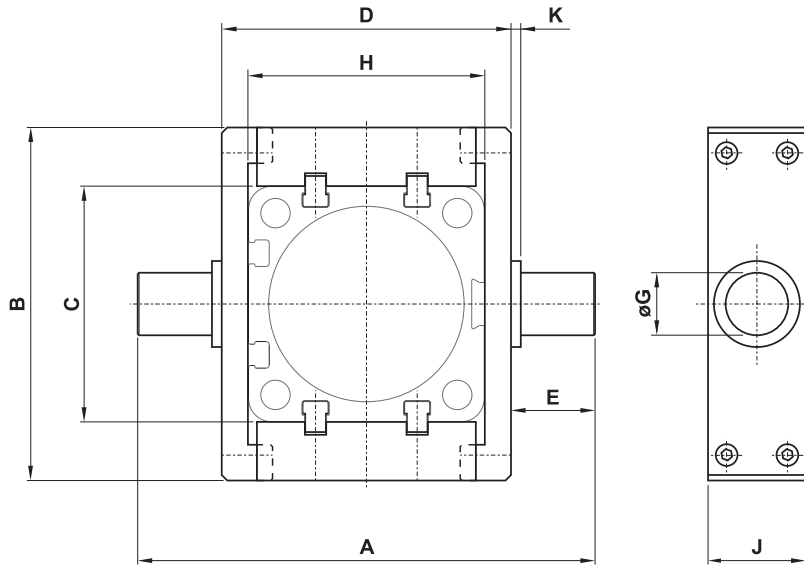
| sigla* part number* | per alesaggio for bore | A | B | C | D | E | F | G | H | J | K | L | M |
|------------------------|---------------------------|----|-----|-----|----|----|-------|----|-----|------|------|-----|-----|
| PBIS032 | 32 | 7 | 32 | 35 | 4 | 24 | 15.75 | 7 | 30 | 15 | 32.5 | 32 | 45 |
| PBIS040 | 40 | 9 | 36 | 36 | 4 | 28 | 17 | 7 | 30 | 17.5 | 38 | 36 | 52 |
| PBIS050 | 50 | 9 | 45 | 47 | 5 | 32 | 21.75 | 9 | 36 | 20 | 46.5 | 45 | 65 |
| PBIS063 | 63 | 9 | 50 | 45 | 5 | 32 | 21.75 | 9 | 35 | 22.5 | 56.5 | 50 | 75 |
| PBIS080 | 80 | 12 | 63 | 55 | 6 | 41 | 27 | 11 | 47 | 22.5 | 72 | 63 | 95 |
| PBIS100 | 100 | 14 | 71 | 57 | 6 | 41 | 26.5 | 11 | 53 | 27.5 | 89 | 75 | 115 |
| PBIS125 | 125 | 16 | 90 | 70 | 8 | 45 | 35 | 14 | 70 | 30 | 110 | 90 | 140 |
| PBIS160 | 160 | 18 | 115 | 75 | 9 | 60 | 45 | 18 | 100 | 32.5 | 140 | 115 | 180 |
| PBIS200 | 200 | 22 | 135 | 100 | 12 | 70 | 47.5 | 18 | 100 | 37.5 | 175 | 135 | 220 |

* La sigla si riferisce a un solo piedino e non alla coppia

* The part number is referred to only one element and not to the couple

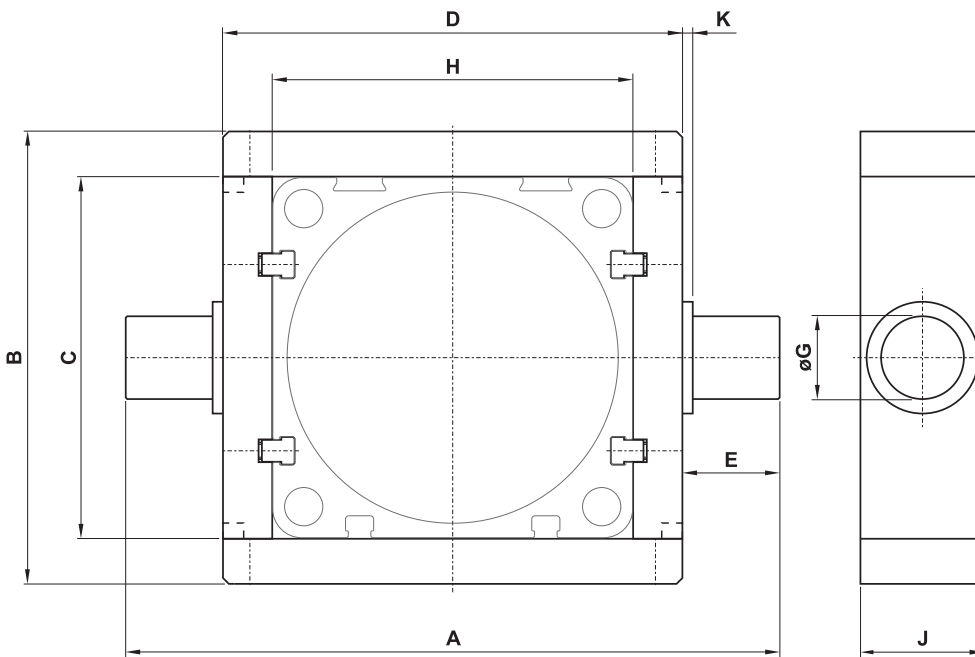
6

CERNIERA INTERMEDIA PER ESTRUSO - SOLO PER SERIE "N" (intermediate trunnion - ONLY FOR SERIES "N")



alesaggi: 32, 40, 50

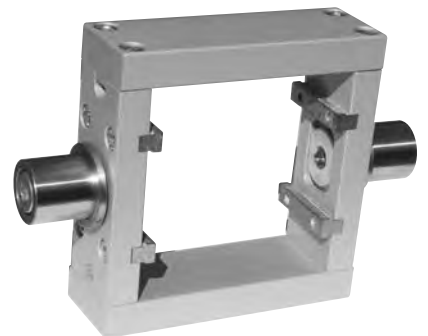
bores: 32, 40, 50



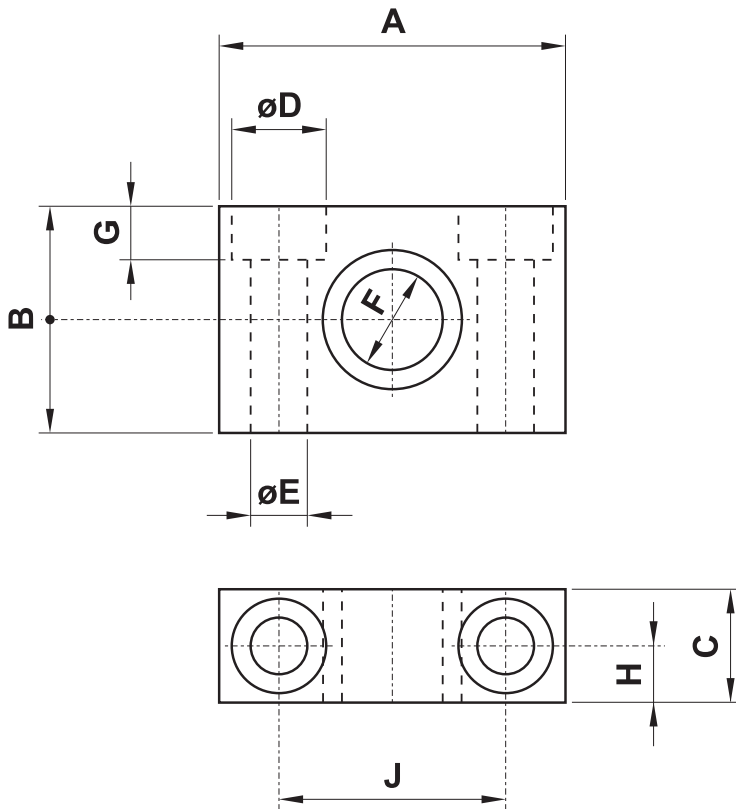
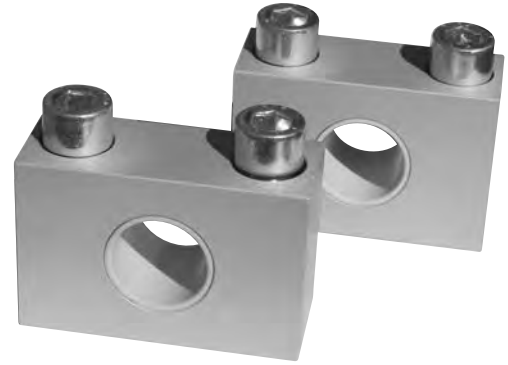
alesaggi: 63, 80, 100, 125

bores: 63, 80, 100, 125

| sigla part number | per alesaggio for bore | A | B | C | D | E | G | H | J | K |
|----------------------|---------------------------|-----|-------|-------|-----|------|----|------|----|-----|
| CIN032 | 32 | 87 | 65 | 44.5 | 52 | 17.5 | 12 | 45 | 25 | 2 |
| CIN040 | 40 | 105 | 74.8 | 50.5 | 62 | 21.5 | 16 | 51 | 25 | 2.5 |
| CIN050 | 50 | 117 | 90.3 | 60.3 | 74 | 21.5 | 16 | 60.8 | 25 | 2.5 |
| CIN063 | 63 | 136 | 94.5 | 70.5 | 91 | 22.5 | 20 | 70 | 30 | 2.5 |
| CIN080 | 80 | 156 | 109.3 | 87.5 | 111 | 22.5 | 20 | 87 | 30 | 2.5 |
| CIN100 | 100 | 195 | 134 | 106.6 | 129 | 33 | 25 | 106 | 40 | 2.5 |
| CIN125 | 125 | 223 | 160 | 132.6 | 157 | 33 | 25 | 132 | 40 | 2.5 |



SNODO PER CERNIERA INTERMEDIA (support for intermediate trunnion)

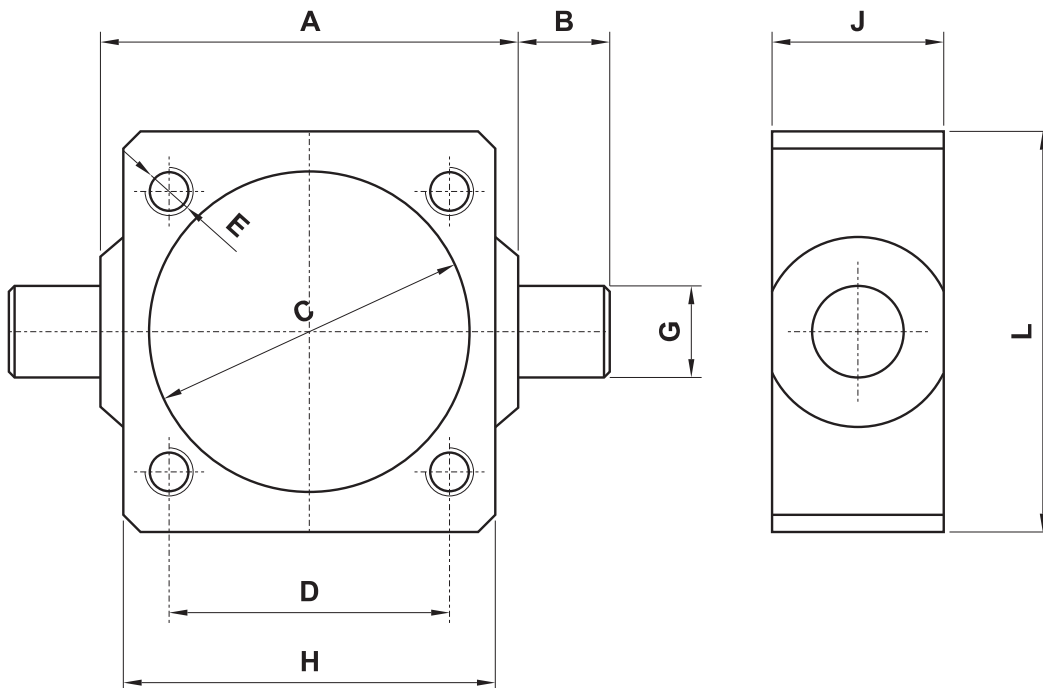


| sigla* part number* | per alesaggio for bore | A | B | C | D | E | F | G | H | J |
|------------------------|---------------------------|----|----|----|------|-----|-----------|-----|-----|----|
| SNINT 032 B | 32 | 46 | 30 | 15 | 10.5 | 6.5 | $\phi 12$ | 6.5 | 7.5 | 32 |
| SNINT 040-050 B | 40-50 | 55 | 35 | 20 | 14 | 9 | $\phi 16$ | 8 | 10 | 36 |
| SNINT 063-080 B | 63-80 | 65 | 40 | 20 | 17 | 11 | $\phi 20$ | 12 | 10 | 42 |
| SNINT 100-125 B | 100-125 | 75 | 50 | 30 | 19 | 14 | $\phi 25$ | 10 | 15 | 50 |

* La sigla si riferisce a una coppia di snodi

* The part number is referred to a couple of elements

CERNIERA INTERMEDIA FISSA (fixed intermediate trunnion) per cilindri da alesaggio 160 e 200 versione a tiranti

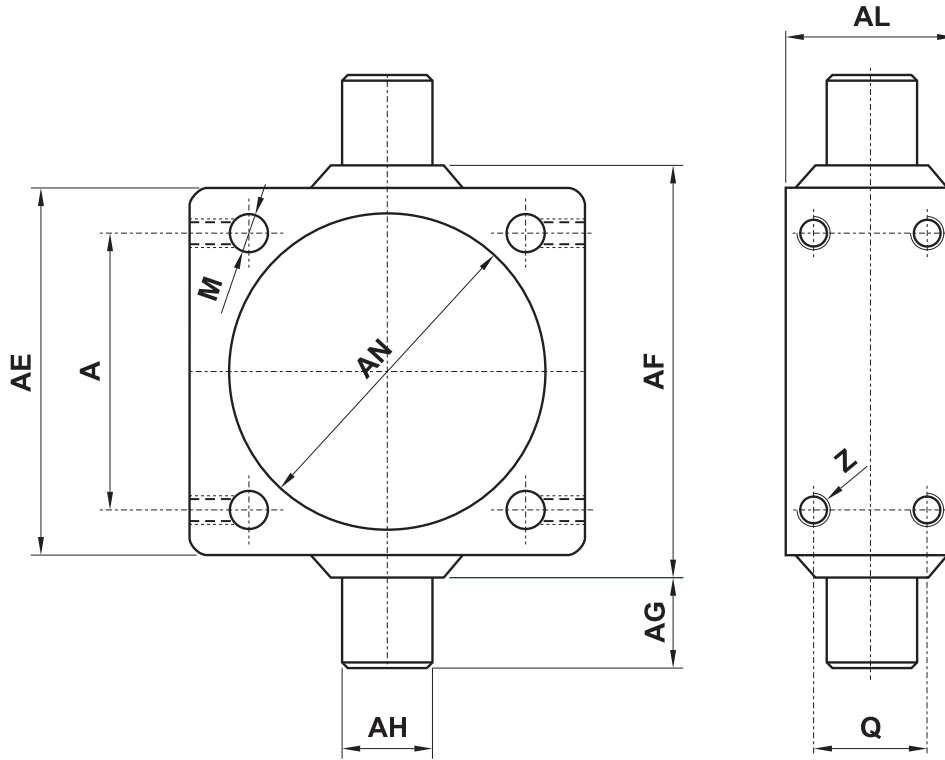


Questa cerniera intermedia può essere montata solo su cilindri a tubo tondo con tiranti. Al momento dell'ordine dei cilindri specificare chiaramente questa caratteristica, fornendo anche precise indicazioni riguardo alla posizione di montaggio della cerniera sul cilindro.

This fixing element can be mounted only on a cylinder with round barrel and tie-rods. The request for cylinders with tie-rods must be clearly specified on the order. On the order please specify also the position where the fixing element should be mounted on the cylinder.

| sigla part number | per alesaggio for bore | A | B | C | D | E | G | H | J | L |
|----------------------|---------------------------|-----|----|------|-----|-----|-----|-----|----|-----|
| CSIS160TI | 160 | 200 | 32 | ø171 | 140 | M16 | ø32 | 190 | 40 | 190 |
| CSIS200TI | 200 | 250 | 32 | ø211 | 175 | M16 | ø32 | 240 | 40 | 240 |

CERNIERA INTERMEDIA REGOLABILE MT4 (adjustable intermediate trunnion MT4) per cilindri da alesaggio 32 a 200 versione a tiranti



Questa cerniera intermedia può essere montata solo su cilindri a tubo tondo con tiranti.

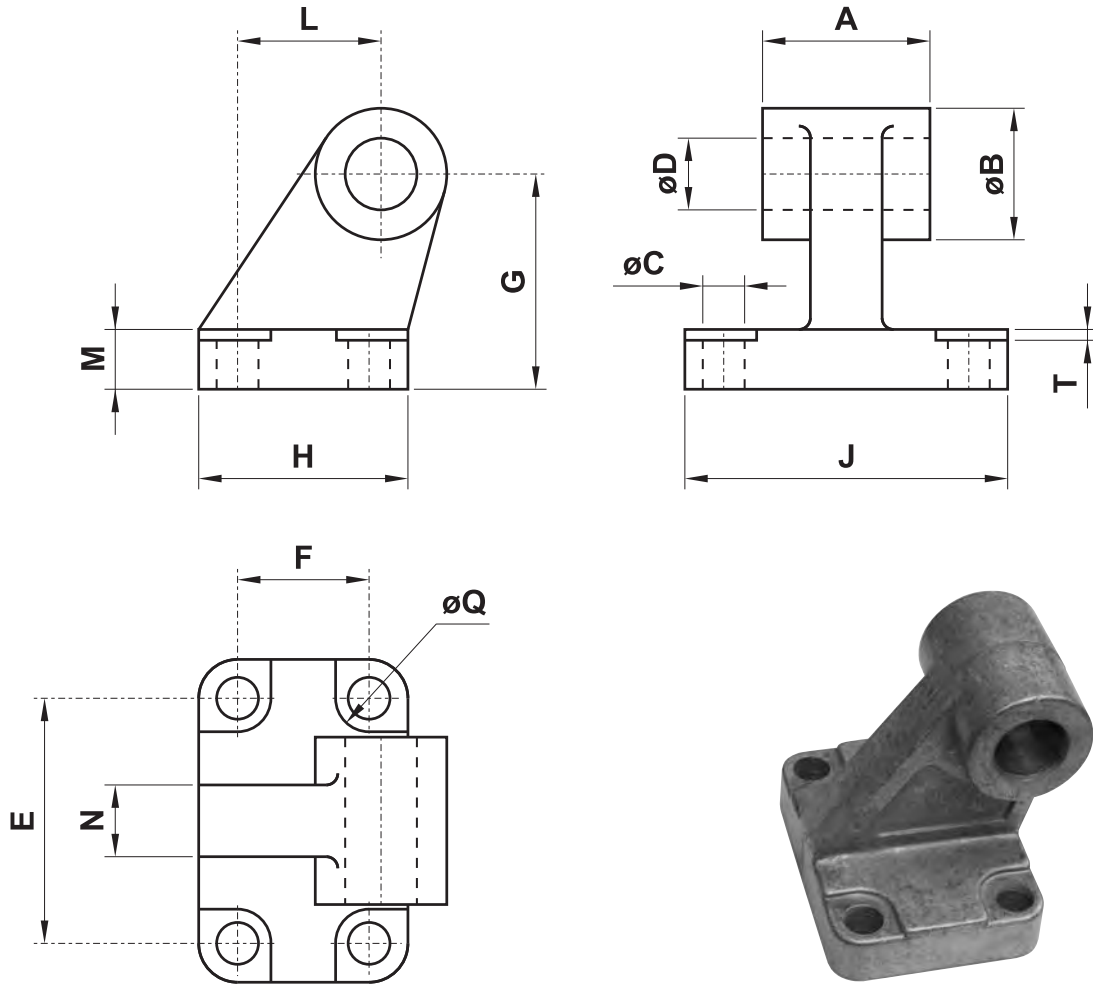
ATTENZIONE: La cerniera intermedia regolabile, anche se ben fissata sul cilindro, a motivo del carico può scivolare e causare spiacevoli inconvenienti. Per evitare tutto ciò si consiglia di usare una cerniera intermedia fissa!

This intermediate trunnion can be mounted only on a cylinder with round barrel and tie-rods.

ATTENTION: This adjustable intermediate trunnion, even if it is correctly mounted on the cylinder, because of the weight can move and cause very serious injury. To avoid this danger it is better to use a fixed intermediate trunnion!

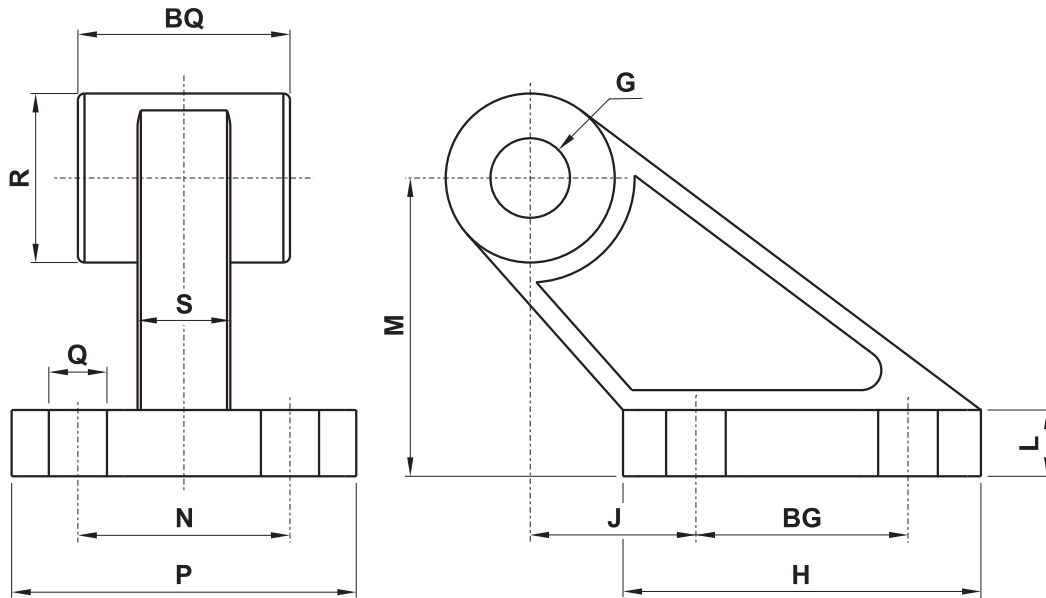
| codice code | per alesaggio for bore | A | AE | AL | AH | AG | AF | AN | M | Q | Z |
|----------------|---------------------------|------|-----|----|-----|----|-----|------|--------|----|-----|
| 26.281.2N | 32 | 32.5 | 46 | 15 | ø12 | 12 | 50 | ø37 | ø6.25 | 7 | M5 |
| 26.525.2N | 40 | 38 | 59 | 20 | ø16 | 16 | 63 | ø46 | ø6.25 | 8 | M5 |
| 26.526.2N | 50 | 46.5 | 69 | 20 | ø16 | 16 | 75 | ø56 | ø8.25 | 8 | M6 |
| 26.527.2N | 63 | 56.5 | 84 | 25 | ø20 | 20 | 90 | ø69 | ø8.25 | 12 | M6 |
| 26.528.2N | 80 | 72 | 102 | 25 | ø20 | 20 | 110 | ø87 | ø10.25 | 12 | M8 |
| 26.529.2N | 100 | 89 | 125 | 30 | ø25 | 25 | 132 | ø107 | ø10.25 | 15 | M8 |
| 26.530.2N | 125 | 110 | 155 | 32 | ø25 | 25 | 160 | ø134 | ø12.25 | 15 | M10 |
| 26.327.2N | 160 | 140 | 190 | 40 | ø32 | 32 | 200 | ø171 | ø16.25 | 18 | M12 |
| 26.328.2N | 200 | 175 | 240 | 40 | ø32 | 32 | 250 | ø211 | ø16.25 | 18 | M12 |

CONTROCERNIERA ORIZZONTALE A BASE RETTANGOLARE (rectangular joint) NORMA CETOP RP107P



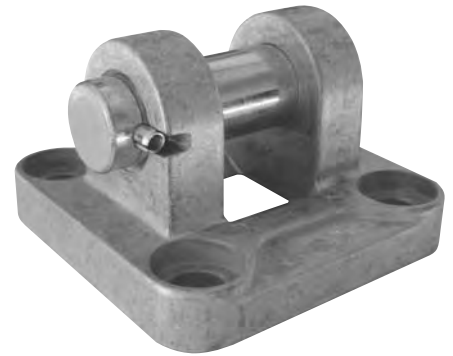
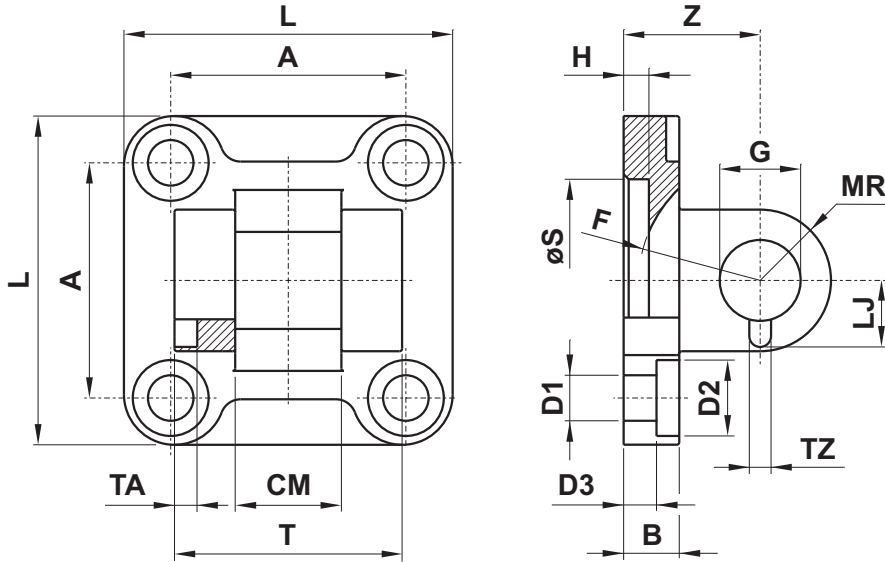
| sigla part number | per alesaggio for bore | A | B | C | D | E | F | G | H | J | L | M | N | Q | T |
|----------------------|---------------------------|----|----|-----|----|-----|----|-----|-----|-----|-----|----|----|----|-----|
| COIS032 | 32 | 26 | 20 | 6.6 | 10 | 38 | 18 | 32 | 31 | 51 | 21 | 8 | 10 | 11 | 1.6 |
| COIS040 | 40 | 28 | 22 | 6.6 | 12 | 41 | 22 | 36 | 35 | 54 | 24 | 10 | 15 | 11 | 1.6 |
| COIS050 | 50 | 32 | 26 | 9 | 12 | 50 | 30 | 45 | 45 | 65 | 33 | 12 | 16 | 15 | 1.6 |
| COIS063 | 63 | 40 | 30 | 9 | 16 | 52 | 35 | 50 | 50 | 67 | 37 | 14 | 16 | 15 | 1.6 |
| COIS080 | 80 | 50 | 30 | 11 | 16 | 66 | 40 | 63 | 60 | 86 | 47 | 14 | 20 | 18 | 2.5 |
| COIS100 | 100 | 60 | 38 | 11 | 20 | 76 | 50 | 71 | 70 | 96 | 55 | 17 | 20 | 18 | 2.5 |
| COIS125 | 125 | 70 | 45 | 14 | 25 | 94 | 60 | 90 | 90 | 124 | 70 | 20 | 30 | 20 | 3.2 |
| COIS160 | 160 | 90 | 63 | 14 | 30 | 118 | 88 | 115 | 126 | 156 | 97 | 25 | 36 | 20 | 4 |
| COIS200 | 200 | 90 | 63 | 18 | 30 | 122 | 90 | 135 | 130 | 162 | 105 | 30 | 40 | 26 | 4 |

CONTROCERNIERA ORIZZONTALE A BASE RETTANGOLARE (rectangular joint) NORMA ISO 15552



| sigla part number | per alesaggio for bore | Q | BG | H | J | L | M | N | P | S | R | BQ | G |
|----------------------|---------------------------|-----|-----|-----|----|----|-----|----|-----|----|------|----|-----|
| COVDMA32 | 32 | ø7 | 20 | 37 | 18 | 8 | 32 | 25 | 41 | 9 | 19 | 26 | ø10 |
| COVDMA40 | 40 | ø9 | 32 | 54 | 25 | 10 | 45 | 32 | 52 | 14 | 25.5 | 28 | ø12 |
| COVDMA50 | 50 | ø9 | 32 | 54 | 25 | 10 | 45 | 32 | 52 | 14 | 25.5 | 32 | ø12 |
| COVDMA63 | 63 | ø11 | 50 | 75 | 32 | 12 | 63 | 40 | 63 | 14 | 32 | 40 | ø16 |
| COVDMA80 | 80 | ø11 | 50 | 75 | 32 | 12 | 63 | 40 | 63 | 14 | 32 | 50 | ø16 |
| COVDMA100 | 100 | ø14 | 70 | 103 | 40 | 17 | 90 | 50 | 80 | 22 | 42 | 60 | ø20 |
| COVDMA125 | 125 | ø14 | 70 | 103 | 40 | 17 | 90 | 50 | 80 | 22 | 46 | 70 | ø25 |
| COVDMA160 | 160 | ø18 | 110 | 154 | 50 | 20 | 140 | 63 | 110 | 26 | 53.5 | 89 | ø30 |
| COVDMA200 | 200 | ø18 | 110 | 154 | 50 | 20 | 140 | 63 | 110 | 26 | 53.5 | 89 | ø30 |

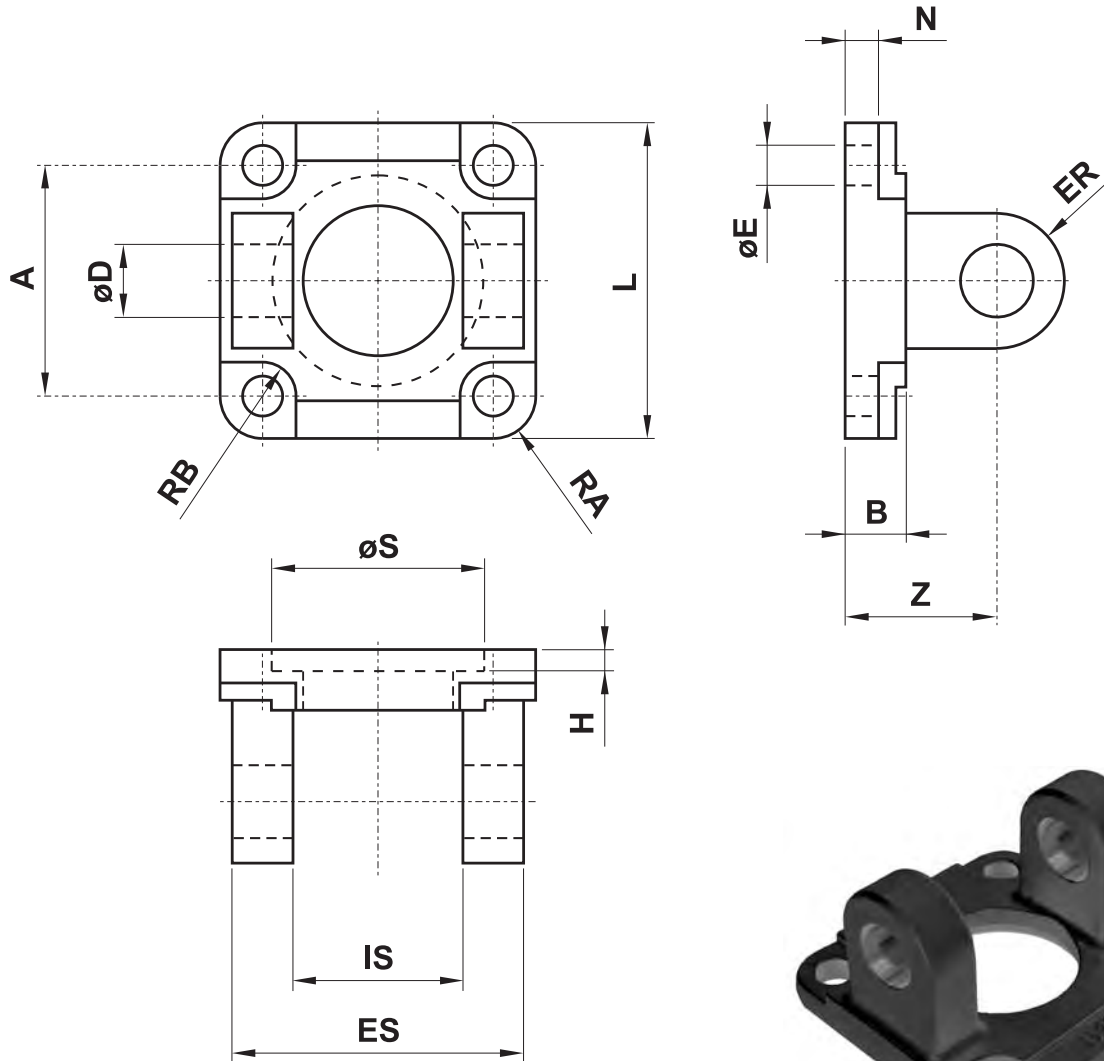
CERNIERA FEMMINA STRETTA PER ARTICOLAZIONE CON TESTINA SNODATA DIN 648 K (narrow female hinge for joint with articulated head DIN 648 K)



6

| sigla part number | per alesaggio for bore | L | T | CM | A | Z | H | B | D3 | S | G | MR | D1 | D2 | TA | TZ | LJ | F |
|----------------------|---------------------------|-----|-----|----|------|----|---|----|-----|----|-----|----|------|-----|----|-----|------|----|
| CFSIS032 | 32 | 45 | 34 | 14 | 32.5 | 22 | 5 | 9 | 5.5 | 30 | ø10 | 10 | ø6.6 | ø11 | 3 | 3.3 | 11.5 | 17 |
| CFSIS040 | 40 | 52 | 40 | 16 | 38 | 25 | 5 | 9 | 5.5 | 35 | ø12 | 12 | ø6.6 | ø11 | 4 | 4.3 | 12 | 20 |
| CFSIS050 | 50 | 65 | 45 | 21 | 46.5 | 27 | 5 | 11 | 6.5 | 40 | ø16 | 14 | ø9 | ø15 | 4 | 4.3 | 14 | 22 |
| CFSIS063 | 63 | 75 | 51 | 21 | 56.5 | 32 | 5 | 11 | 6.5 | 45 | ø16 | 18 | ø9 | ø15 | 4 | 4.3 | 14 | 25 |
| CFSIS080 | 80 | 95 | 65 | 25 | 72 | 36 | 5 | 14 | 10 | 45 | ø20 | 20 | ø11 | ø18 | 4 | 4.3 | 16 | 30 |
| CFSIS100 | 100 | 115 | 75 | 25 | 89 | 41 | 5 | 14 | 10 | 55 | ø20 | 22 | ø11 | ø18 | 4 | 6.3 | 16 | 32 |
| CFSIS125 | 125 | 140 | 97 | 37 | 110 | 50 | 7 | 20 | 10 | 60 | ø30 | 25 | ø14 | ø20 | 6 | 6.3 | 24 | 42 |
| CFSIS160 | 160 | 180 | 122 | 43 | 140 | 55 | 7 | 20 | 10 | 65 | ø35 | 30 | ø18 | ø26 | 6 | 6.3 | 26.5 | 46 |
| CFSIS200 | 200 | 220 | 122 | 43 | 175 | 60 | 7 | 25 | 11 | 75 | ø35 | 30 | ø18 | ø26 | 6 | 6.3 | 26.5 | 49 |

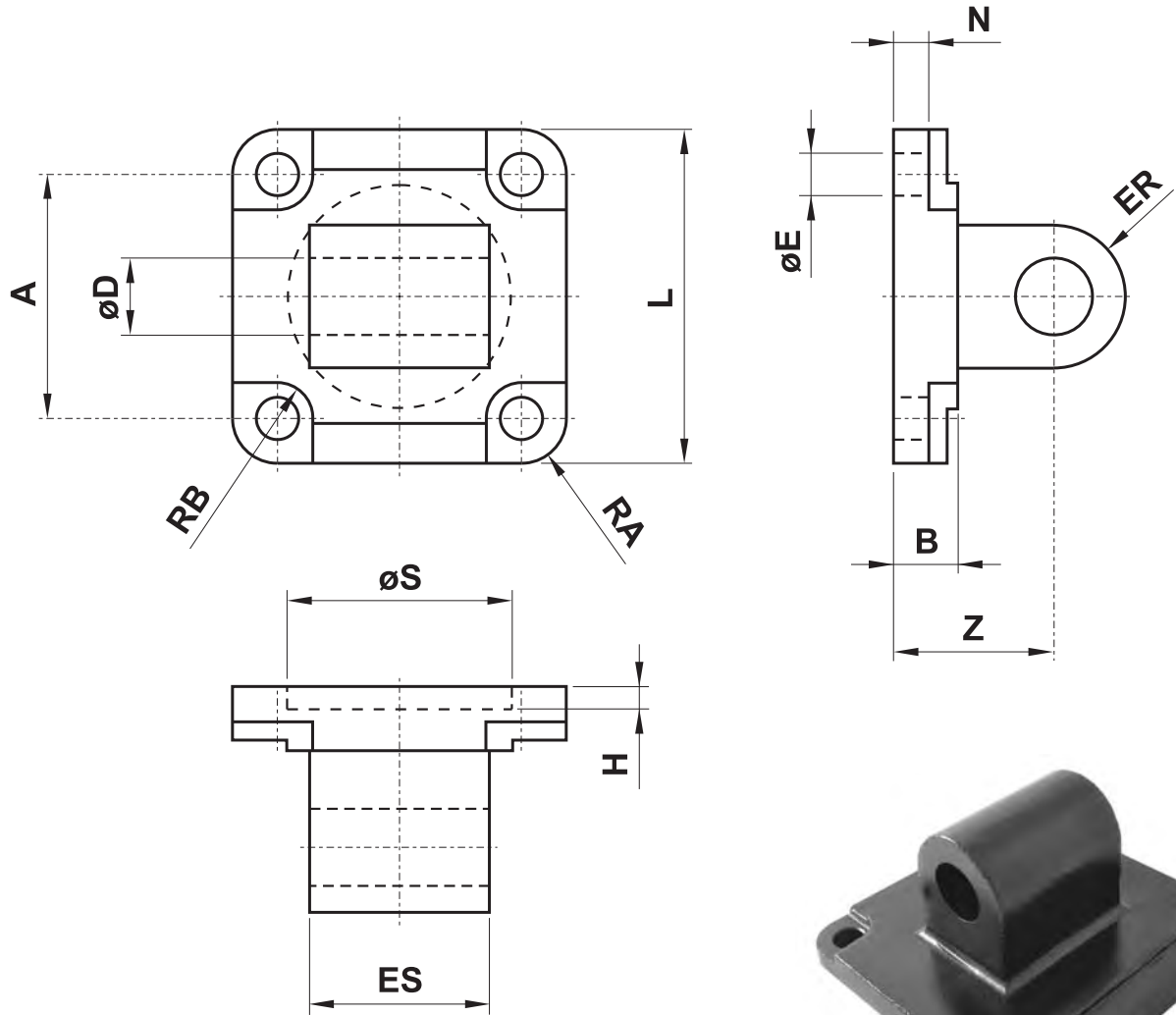
CERNIERA FEMMINA MP2 IN ACCIAIO CON PERNO (female hinge MP2 in steel, with pin)



Materiale: acciaio AVP; trattamento superficiale: cataforesi nera
Material: steel AVP; surface treatment: black cataphoresis

| codice part number | per alesaggio for bore | L | ES | IS | A | Z | H | B | N | S | D | E | RB | ER | RA |
|------------------------|---------------------------|-----|-----|----|------|----|---|----|-----|----|----|------|-----|----|------|
| in acciaio in steel | | | | | | | | | | | | | | | |
| 26.001.2AC | 32 | 45 | 45 | 26 | 32.5 | 22 | 5 | 8 | 5.5 | 30 | 10 | 6.6 | 5.5 | 10 | 6.25 |
| 26.002.2AC | 40 | 55 | 52 | 28 | 38 | 25 | 5 | 8 | 5.5 | 35 | 12 | 6.6 | 5.5 | 12 | 8.5 |
| 26.003.2AC | 50 | 65 | 60 | 32 | 46.5 | 27 | 5 | 10 | 6.5 | 40 | 12 | 9 | 7.5 | 12 | 9.25 |
| 26.004.2AC | 63 | 75 | 70 | 40 | 56.5 | 32 | 5 | 10 | 6.5 | 45 | 16 | 9 | 7.5 | 15 | 9.25 |
| 26.005.2AC | 80 | 95 | 90 | 50 | 72 | 36 | - | 13 | 10 | 45 | 16 | 11 | 9 | 15 | 11.5 |
| 26.006.2AC | 100 | 115 | 110 | 60 | 89 | 41 | - | 13 | 10 | 55 | 20 | 11 | 9 | 20 | 13 |
| 26.007.2AC | 125 | 140 | 130 | 70 | 110 | 50 | - | 16 | 10 | 60 | 25 | 13.5 | 10 | 25 | 15 |
| 26.008.2AC | 160 | 180 | 170 | 90 | 140 | 55 | - | 20 | 10 | 65 | 30 | 18 | 13 | 25 | 20 |
| 26.009.2AC | 200 | 220 | 170 | 90 | 175 | 60 | - | 20 | 11 | 75 | 30 | 18 | 13 | 25 | 22 |

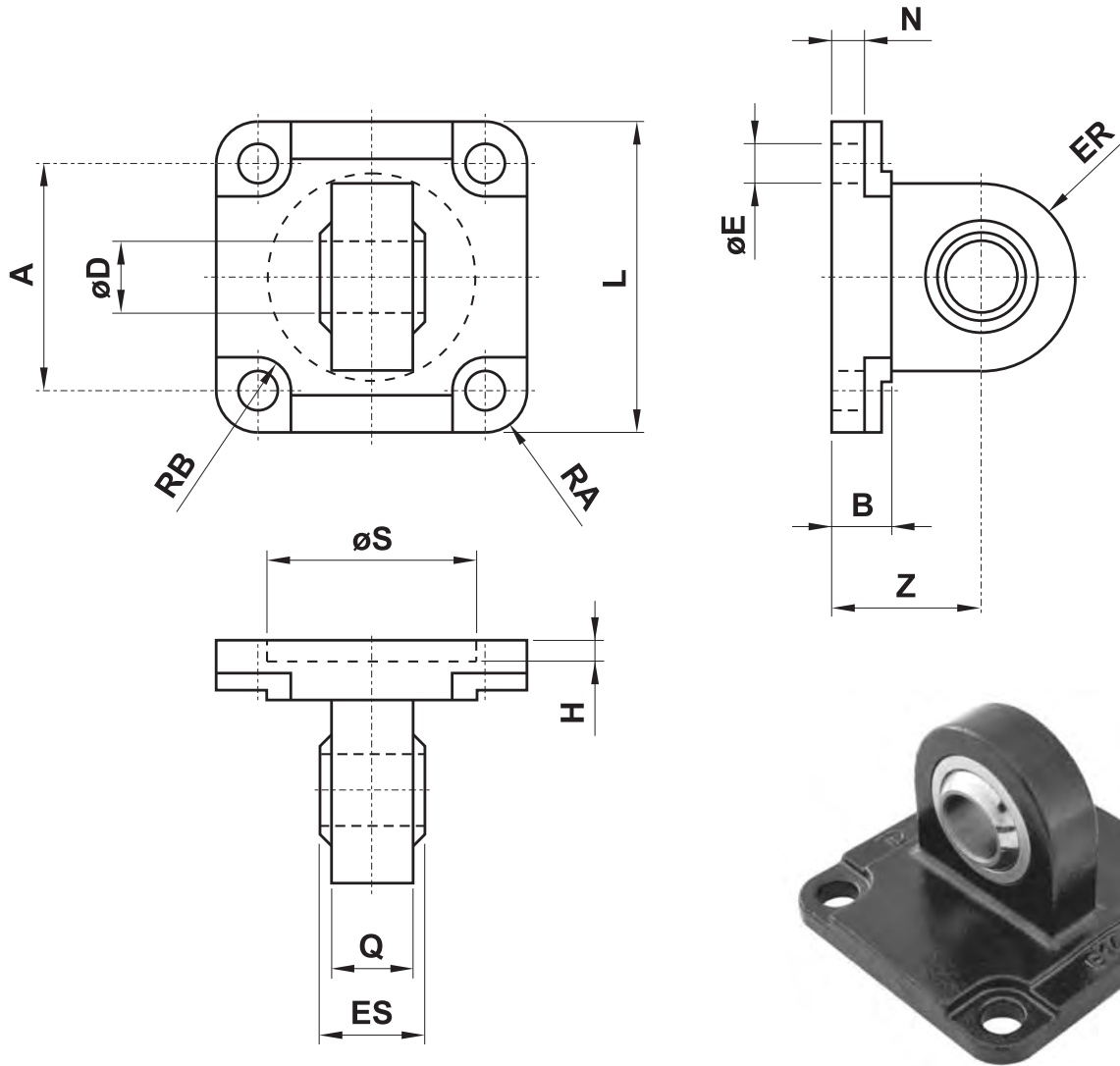
CERNIERA MASCHIO MP2 IN ACCIAIO (male hinge MP2 in steel)



Materiale: acciaio AVP; trattamento superficiale: cataforesi nera
Material: steel AVP; surface treatment: black cataphoresis

| codice part number | per alesaggio for bore | L | ES | A | Z | H | B | N | S | D | E | RB | ER | RA |
|------------------------|---------------------------|-----|----|------|----|---|----|-----|----|----|------|-----|----|------|
| in acciaio in steel | | | | | | | | | | | | | | |
| 26.019.2AC | 32 | 45 | 26 | 32.5 | 22 | 5 | 8 | 5.5 | 30 | 10 | 6.6 | 5.5 | 10 | 6.25 |
| 26.020.2AC | 40 | 55 | 28 | 38 | 25 | 5 | 8 | 5.5 | 35 | 12 | 6.6 | 5.5 | 12 | 8.5 |
| 26.021.2AC | 50 | 65 | 32 | 46.5 | 27 | 5 | 10 | 6.5 | 40 | 12 | 9 | 7.5 | 12 | 9.25 |
| 26.022.2AC | 63 | 75 | 40 | 56.5 | 32 | 5 | 10 | 6.5 | 45 | 16 | 9 | 7.5 | 15 | 9.25 |
| 26.023.2AC | 80 | 95 | 50 | 72 | 36 | 5 | 13 | 10 | 45 | 16 | 11 | 9 | 15 | 11.5 |
| 26.024.2AC | 100 | 115 | 60 | 89 | 41 | 5 | 13 | 10 | 55 | 20 | 11 | 9 | 20 | 13 |
| 26.025.2AC | 125 | 140 | 70 | 110 | 50 | 7 | 16 | 10 | 60 | 25 | 13.5 | 10 | 25 | 15 |
| 26.026.2AC | 160 | 180 | 90 | 140 | 55 | 7 | 20 | 10 | 65 | 30 | 18 | 13 | 25 | 20 |
| 26.027.2AC | 200 | 220 | 90 | 175 | 60 | 7 | 20 | 11 | 75 | 30 | 18 | 13 | 25 | 22 |

CERNIERA MASCHIO STRETTA IN ACCIAIO CON TESTINA SNODATA DIN 648 K (narrow male hinge in steel with articulated head DIN 648 K)

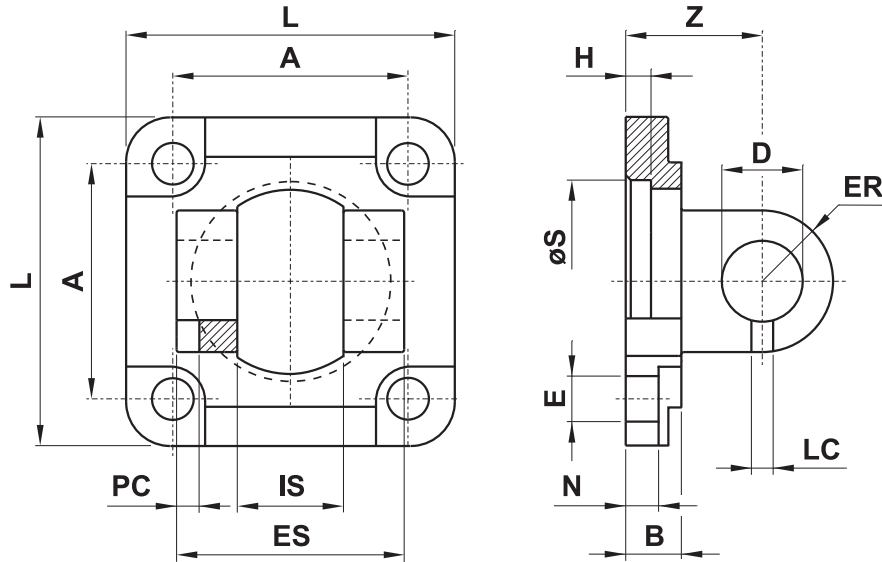


Materiale: acciaio AVP; trattamento superficiale: cataforesi nera

Material: steel AVP; surface treatment: black cataphoresis

| codice part number | per alesaggio for bore | A | Q | Z | D | ER | S | B | E | L | RB | N | H | RA | ES |
|-----------------------|---------------------------|------|------|----|----|----|----|----|------|-----|-----|-----|---|------|----|
| 26.079.2AC | 32 | 32.5 | 10.5 | 22 | 10 | 15 | 30 | 8 | 6.6 | 45 | 5.5 | 5.5 | 5 | 6.25 | 14 |
| 26.080.2AC | 40 | 38 | 12 | 25 | 12 | 18 | 35 | 8 | 6.6 | 55 | 5.5 | 5.5 | 5 | 8.5 | 16 |
| 26.081.2AC | 50 | 46.5 | 15 | 27 | 16 | 20 | 40 | 10 | 9 | 65 | 7.5 | 6.5 | 5 | 9.25 | 21 |
| 26.082.2AC | 63 | 56.5 | 15 | 32 | 16 | 23 | 45 | 10 | 9 | 75 | 7.5 | 6.5 | 5 | 9.25 | 21 |
| 26.083.2AC | 80 | 72 | 18 | 36 | 20 | 27 | 45 | 13 | 11 | 95 | 9 | 10 | 5 | 11.5 | 25 |
| 26.084.2AC | 100 | 89 | 18 | 41 | 20 | 30 | 55 | 13 | 11 | 115 | 9 | 10 | 5 | 13 | 25 |
| 26.085.2AC | 125 | 110 | 25 | 50 | 30 | 40 | 60 | 16 | 13.5 | 140 | 10 | 10 | 7 | 15 | 37 |

CERNIERA FEMMINA STRETTA IN ACCIAIO, CON PERNO (narrow female hinge in steel, with pin)

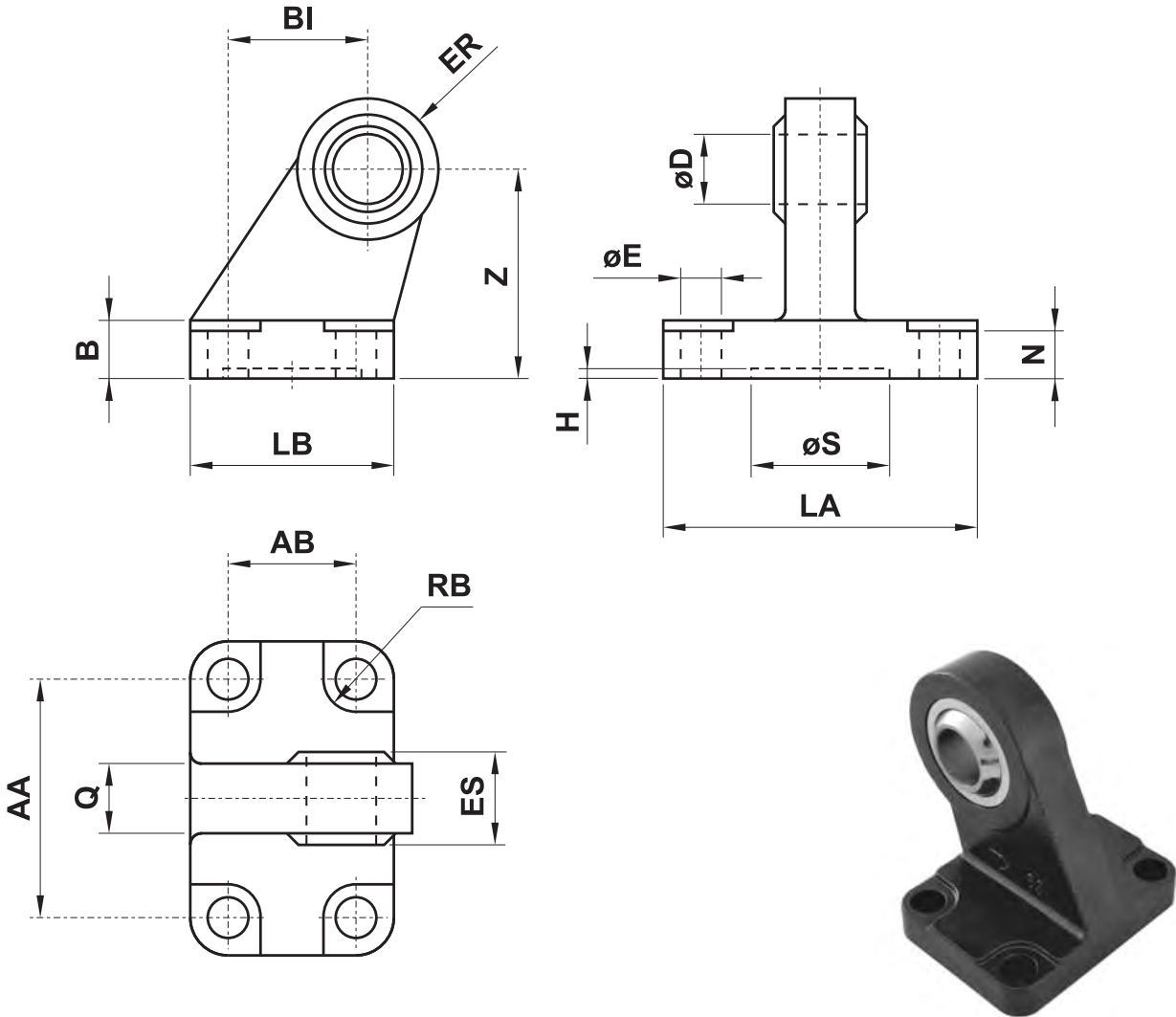


Materiale: acciaio AVP; trattamento superficiale: cataforesi nera

Material: steel AVP; surface treatment: black cataphoresis

| codice part number | per alesaggio for bore | L | ES | IS | A | Z | H | B | N | S | D | E | PC | LC | ER |
|------------------------|---------------------------|-----|----|----|------|----|---|----|-----|----|----|------|----|-----|----|
| in acciaio in steel | | | | | | | | | | | | | | | |
| 26.330.2AC | 32 | 45 | 34 | 14 | 32.5 | 22 | 5 | 8 | 5.5 | 30 | 10 | 6.6 | 3 | 3.3 | 10 |
| 26.331.2AC | 40 | 55 | 40 | 16 | 38 | 25 | 5 | 8 | 5.5 | 35 | 12 | 6.6 | 4 | 4.3 | 12 |
| 26.332.2AC | 50 | 65 | 45 | 21 | 46.5 | 27 | 5 | 10 | 6.5 | 40 | 16 | 9 | 4 | 4.3 | 15 |
| 26.333.2AC | 63 | 75 | 51 | 21 | 56.5 | 32 | 5 | 10 | 6.5 | 45 | 16 | 9 | 4 | 4.3 | 15 |
| 26.334.2AC | 80 | 95 | 65 | 25 | 72 | 36 | 5 | 13 | 10 | 45 | 20 | 11 | 4 | 4.3 | 20 |
| 26.335.2AC | 100 | 115 | 75 | 25 | 89 | 41 | 5 | 13 | 10 | 55 | 20 | 11 | 4 | 4.3 | 20 |
| 26.336.2AC | 125 | 140 | 97 | 37 | 110 | 50 | 7 | 16 | 10 | 60 | 30 | 13.5 | 6 | 6.3 | 30 |

CONTROCERNIERA RETTANGOLARE IN ACCIAIO CON TESTINA SNODATA DIN 648 K (rectangular joint in steel with articulated head DIN 648 K)



Materiale: acciaio AVP; trattamento superficiale: cataforesi nera

Material: steel AVP; surface treatment: black cataphoresis

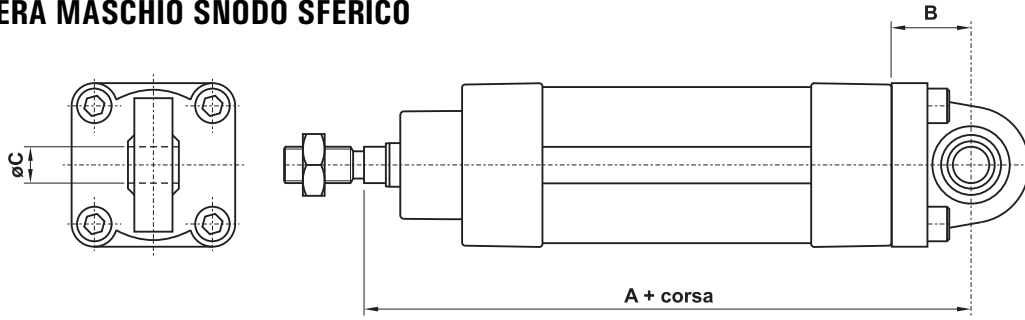
| codice part number | per alesaggio for bore | E | RB | AB | LB | BI | B | Z | AA | LA | ER | Q | D | N | S | H | ES |
|-----------------------|---------------------------|------|-----|----|----|----|----|----|----|-----|----|------|----|------|----|---|----|
| 26.441.2AC | 32 | 6.6 | 5.5 | 18 | 31 | 21 | 10 | 32 | 38 | 51 | 15 | 10.5 | 10 | 8.5 | 20 | 5 | 14 |
| 26.442.2AC | 40 | 6.6 | 5.5 | 22 | 35 | 24 | 10 | 36 | 41 | 54 | 18 | 12 | 12 | 8.5 | 25 | 5 | 16 |
| 26.443.2AC | 50 | 9 | 7.5 | 30 | 45 | 33 | 12 | 45 | 50 | 65 | 20 | 15 | 16 | 10.5 | 30 | 5 | 21 |
| 26.444.2AC | 63 | 9 | 7.5 | 35 | 50 | 37 | 12 | 50 | 52 | 67 | 23 | 15 | 16 | 10.5 | 35 | 5 | 21 |
| 26.445.2AC | 80 | 11 | 9 | 40 | 60 | 47 | 14 | 63 | 66 | 86 | 27 | 18 | 20 | 11.5 | 45 | 5 | 25 |
| 26.446.2AC | 100 | 11 | 9 | 50 | 70 | 55 | 15 | 71 | 76 | 96 | 30 | 18 | 20 | 12.5 | 55 | 5 | 25 |
| 26.447.2AC | 125 | 13.5 | 10 | 60 | 90 | 70 | 20 | 90 | 94 | 124 | 40 | 25 | 30 | 17 | 65 | 7 | 37 |

fissaggi per cilindri ISO 15552 (ex ISO 6431)

fixing elements for cylinders ISO 15552 (ex ISO 6431)

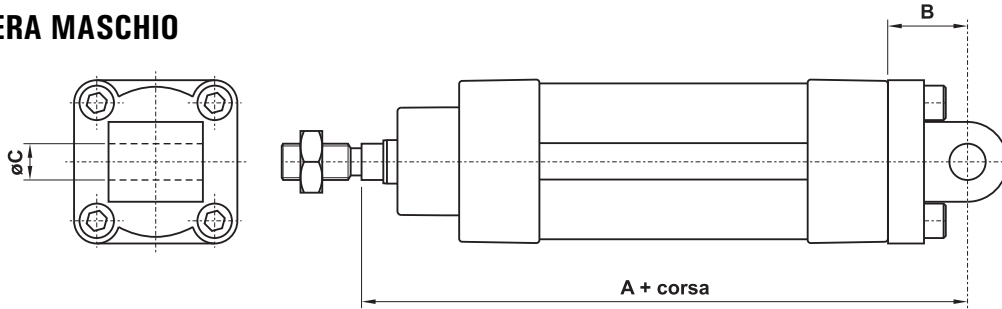


CERNIERA MASCHIO SNODO SFERICO



CMSS...

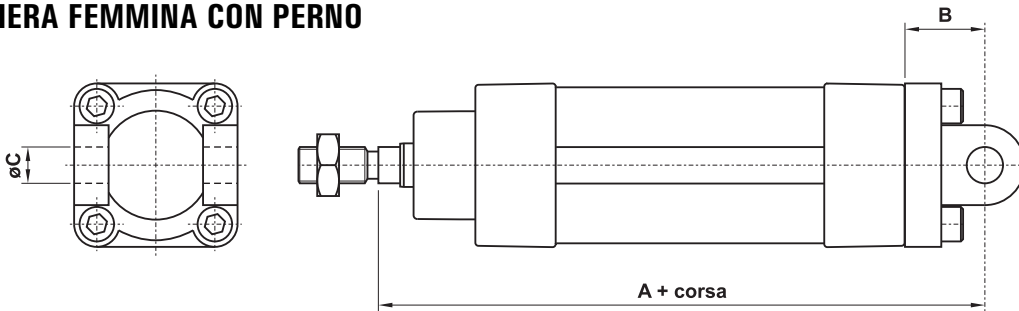
CERNIERA MASCHIO



CMIS...

CMKS...

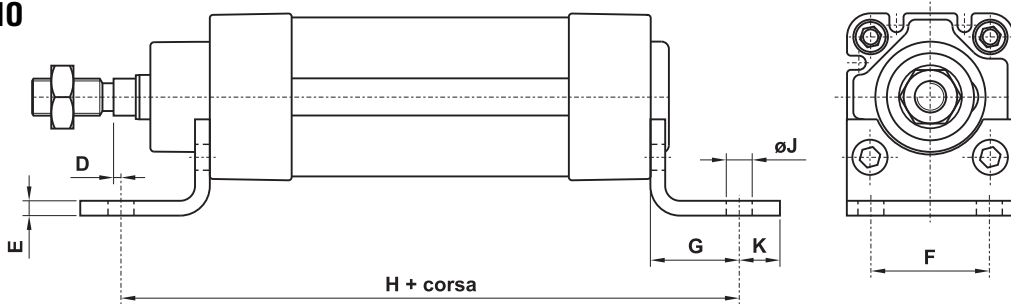
CERNIERA FEMMINA CON PERNO



CFIS...

CFKS...

PIEDINO



PBIS...

| ø | A | B | C | D | E | F | G | H | J | K |
|-----|-----|----|----|----|----|-----|----|-----|----|----|
| 32 | 142 | 22 | 10 | 2 | 4 | 32 | 24 | 142 | 7 | 11 |
| 40 | 160 | 25 | 12 | 2 | 4 | 36 | 28 | 161 | 9 | 8 |
| 50 | 170 | 27 | 12 | 5 | 5 | 45 | 32 | 170 | 9 | 15 |
| 63 | 190 | 32 | 16 | 5 | 5 | 50 | 32 | 185 | 9 | 13 |
| 80 | 210 | 36 | 16 | 5 | 6 | 63 | 41 | 210 | 12 | 14 |
| 100 | 230 | 41 | 20 | 10 | 6 | 75 | 41 | 220 | 14 | 16 |
| 125 | 275 | 50 | 25 | 20 | 8 | 90 | 45 | 250 | 16 | 25 |
| 160 | 315 | 55 | 30 | 20 | 9 | 115 | 60 | 300 | 18 | 15 |
| 200 | 335 | 60 | 30 | 25 | 12 | 135 | 70 | 320 | 22 | 30 |

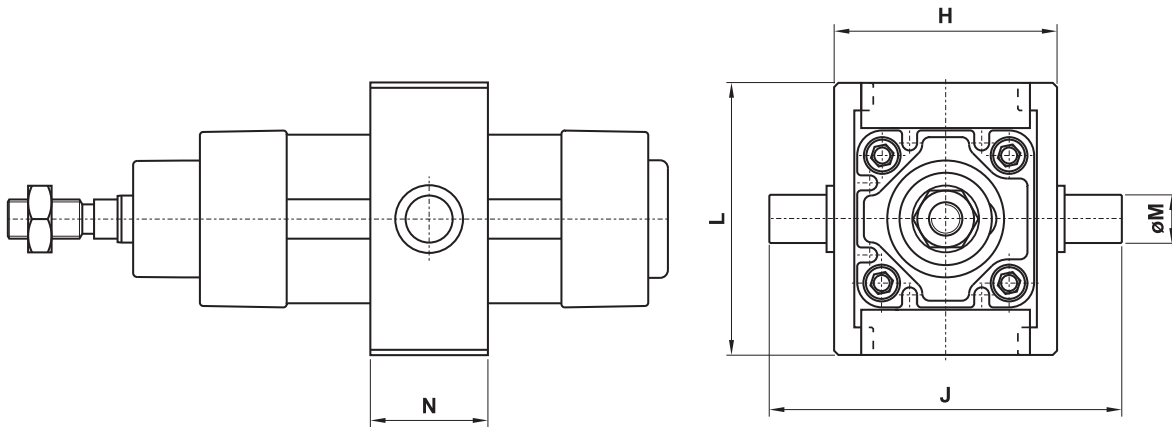
fissaggi per cilindri ISO 15552 (ex ISO 6431)

fixing elements for cylinders ISO 15552 (ex ISO 6431)



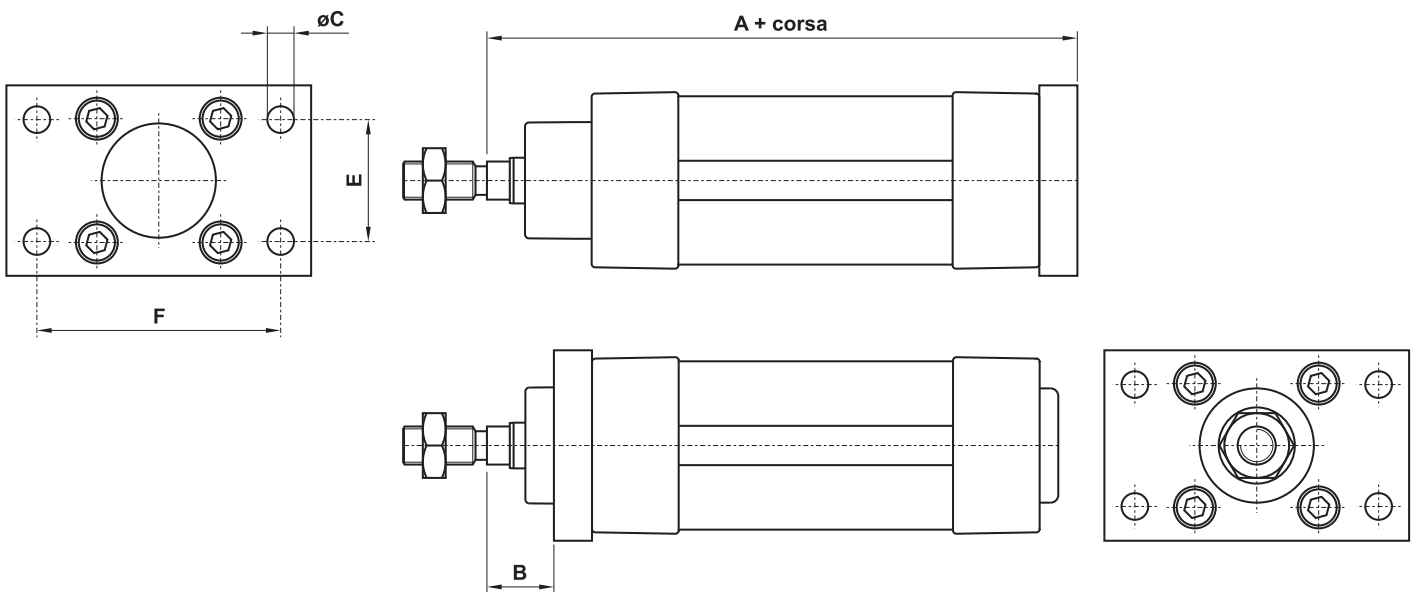
CERNIERA INTERMEDIA PER ESTRUSO - SOLO PER SERIE "N"

CIN...
CSIS...TI



FLANGIA

FLIS...



| Ø | A | B | C | E | F | H | J | L | M | N |
|-----|-----|----|----|-----|-----|-------|-------|-------|----|----|
| 32 | 130 | 16 | 7 | 32 | 64 | 52 | 87 | 65 | 12 | 25 |
| 40 | 145 | 20 | 9 | 36 | 72 | 62 | 105 | 74.8 | 16 | 25 |
| 50 | 155 | 25 | 9 | 45 | 90 | 74 | 117 | 90.3 | 16 | 25 |
| 63 | 170 | 25 | 9 | 50 | 100 | 91 | 136 | 94.5 | 20 | 30 |
| 80 | 190 | 30 | 12 | 63 | 126 | 111 | 156 | 109.3 | 20 | 30 |
| 100 | 205 | 35 | 14 | 75 | 150 | 129 | 195 | 134 | 25 | 40 |
| 125 | 245 | 45 | 16 | 90 | 180 | 156.7 | 222.7 | 160 | 25 | 40 |
| 160 | 280 | 60 | 18 | 115 | 230 | 190 | 262 | 200 | 32 | 40 |
| 200 | 300 | 70 | 22 | 135 | 270 | 240 | 312 | 250 | 32 | 40 |