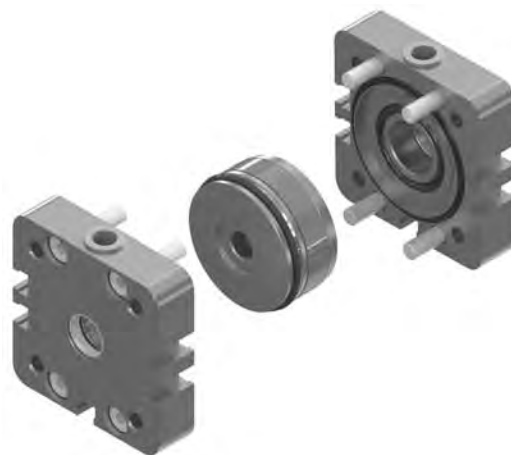


## KIT CILINDRO COMPATTO ISO 21287 E UNITOP

compact cylinder kit for ISO 21287 and UNITOP

### Il kit comprende:

- testate premontate
- pistone in alluminio con magnete, guarnizioni e anello di guida
- viti
- tutte le guarnizioni necessarie



### MAGNETICO, guarnizioni standard

normale					stelo passante [passing-through rod]				
per alesaggio for bore	ISO		UNITOP		per alesaggio for bore	ISO		UNITOP	
	sigla part number	codice code	sigla part number	codice code		sigla part number	codice code	sigla part number	codice code
25	<b>KQ025</b>	39.003.3			25	<b>KQ025P</b>	39.013.3		
32	<b>KQ032</b>	39.004.3	<b>KQ032</b>	39.004.3	32	<b>KQ032P</b>	39.014.3	<b>KQ032P</b>	39.014.3
40	<b>KQ040</b>	39.005.3	<b>KU040</b>	39.105.3	40	<b>KQ040P</b>	39.015.3	<b>KU040P</b>	39.115.3
50	<b>KQ050</b>	39.006.3	<b>KU050</b>	39.106.3	50	<b>KQ050P</b>	39.016.3	<b>KU050P</b>	39.116.3
63	<b>KQ063</b>	39.007.3	<b>KU063</b>	39.107.3	63	<b>KQ063P</b>	39.017.3	<b>KU063P</b>	39.117.3
80	<b>KQ080</b>	39.008.3	<b>KU080</b>	39.108.3	80	<b>KQ080P</b>	39.018.3	<b>KU080P</b>	39.118.3
100	<b>KQ100</b>	39.009.3	<b>KU100</b>	39.109.3	100	<b>KQ100P</b>	39.019.3	<b>KU100P</b>	39.119.3

### MAGNETICO, guarnizioni VITON

normale					stelo passante [passing-through rod]				
per alesaggio for bore	ISO		UNITOP		per alesaggio for bore	ISO		UNITOP	
	sigla part number	codice code	sigla part number	codice code		sigla part number	codice code	sigla part number	codice code
25	<b>KQ025V</b>	39.023.3			25	<b>KQ025PV</b>	39.033.3		
32	<b>KQ032V</b>	39.024.3	<b>KQ032V</b>	39.024.3	32	<b>KQ032PV</b>	39.034.3	<b>KQ032PV</b>	39.034.3
40	<b>KQ040V</b>	39.025.3	<b>KU040V</b>	39.125.3	40	<b>KQ040PV</b>	39.035.3	<b>KU040PV</b>	39.135.3
50	<b>KQ050V</b>	39.026.3	<b>KU050V</b>	39.126.3	50	<b>KQ050PV</b>	39.036.3	<b>KU050PV</b>	39.136.3
63	<b>KQ063V</b>	39.027.3	<b>KU063V</b>	39.127.3	63	<b>KQ063PV</b>	39.037.3	<b>KU063PV</b>	39.137.3
80	<b>KQ080V</b>	39.028.3	<b>KU080V</b>	39.128.3	80	<b>KQ080PV</b>	39.038.3	<b>KU080PV</b>	39.138.3
100	<b>KQ100V</b>	39.029.3	<b>KU100V</b>	39.129.3	100	<b>KQ100PV</b>	39.039.3	<b>KU100PV</b>	39.139.3

Maggiori informazioni sono disponibili all'indirizzo internet <http://www.azpneumatica.srl/azweb/ita/kitcilq.htm>

More information is available at the internet address <http://www.azpneumatica.srl/azweb/ita/kitcilo.htm>

# barre per camicia cilindri compatti

barrel for compact cylinders



	codice di ordinazione order code	dimensioni - dimensions [mm]					peso weight [kg/m]
		A	B	C	D	E	
	<b>000.552.7</b>	$\varnothing 25^{H11}$	26	39.7	26	-	1.893
	<b>000.553.7</b>	$\varnothing 32^{\pm 0.1}$	18.5	48.2	39	11.05	2.034
	<b>000.554.7</b>	$\varnothing 40^{\pm 0.1}$	23	55	45	11.05	2.470
	<b>000.555.7</b>	$\varnothing 50^{\pm 0.1}$	29	68	55	10	3.316
	<b>000.556.7</b>	$\varnothing 63^{\pm 0.125}$	38	79	65	19	4.087
	<b>000.557.7</b>	$\varnothing 80^{\pm 0.125}$	48	94	80	27	5.287
	<b>000.558.7</b>	$\varnothing 100^{+0.2/-0.1}$	62	114.5	99	40	7.489

composizione chimica chemical composition	Cu	Fe	Mn	Mg	Si	Zn	Cr	Ti	Al resto
	≤ 0.10	0.10 ÷ 0.30	≤ 0.10	0.35 ÷ 0.60	0.30 ÷ 0.60	≤ 0.15	≤ 0.05	≤ 0.10	

## Fori di fissaggio

dal  $\varnothing 25$  al  $\varnothing 100$  : predisposti per l'uso di viti autofilettanti

## Fixing holes

from  $\varnothing 25$  to  $\varnothing 100$  : prepared for the use of self-tapping screws