

# microvalvole

microvalves



- Microvalvole a otturatore NC e NA  
*NC and NO poppet microvalves*
- Installazione in qualsiasi posizione  
*Installation in any position*
- Attacchi filettati M5 o raccordi automatici per tubo  $\varnothing 4$   
*M5 threaded ports or push-in fittings for  $\varnothing 4$  tube*
- Bassa forza di azionamento  
*Low actuating force*
- Versione con adattatore (foro  $\varnothing 22$ ) per montaggio a pannello  
*Version with adaptor for panel mounting (with  $\varnothing 22$  hole)*
- Esecuzioni speciali a richiesta  
*Special versions on request*



## Materiali

Corpo: alluminio 11S

Molla: INOX

Guarnizioni: NBR

Parti interne: ottone OT58

## Materials

Body: aluminium 11S

Spring: stainless steel

Seals: NBR

Internal parts: brass OT58

Diametro nominale <i>Nominal orifice</i>	2.5 mm
Portata nominale a 6 bar <i>Nominal flow rate at 6 bar</i>	100 NI/min
Temperatura di esercizio <i>Temperature range</i>	max +60°C
Pressione di esercizio <i>Working pressure</i>	2 ... 10 bar 0.2 ... 1 MPa
Forza di azionamento <i>Actuating force</i>	6 N
Fluido <i>Fluid</i>	Aria filtrata 50 $\mu$ con o senza lubrificazione <i>50<math>\mu</math> filtered, lubricated or non lubricated air</i>

# microvalvole

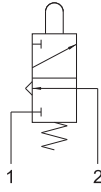
microvalves



## 304 MA

3/2 NC raccordi automatici per tubo  $\varnothing 4$  (sotto), pulsante

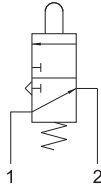
3/2 NC push-in fittings for  $\varnothing 4$  tube (ports on the bottom), tappet



## 314 MA

3/2 NA raccordi automatici per tubo  $\varnothing 4$  (sotto), pulsante

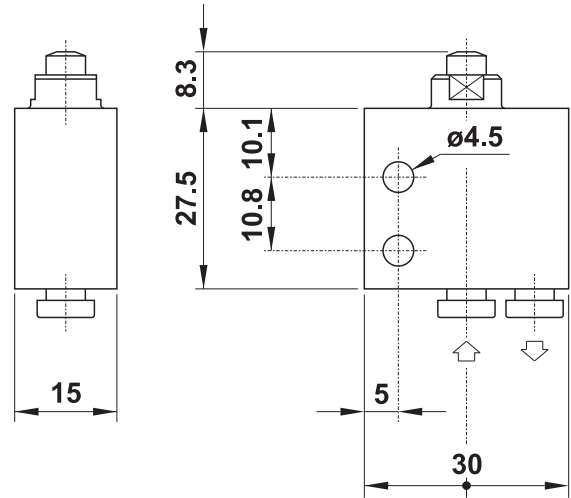
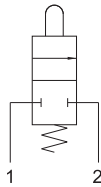
3/2 NO push-in fittings for  $\varnothing 4$  tube (ports on the bottom), tappet



## 204 MA

2/2 NC raccordi automatici per tubo  $\varnothing 4$  (sotto), pulsante

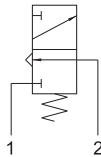
2/2 NC push-in fittings for  $\varnothing 4$  tube (ports on the bottom), tappet



## 304 MB

3/2 NC raccordi automatici per tubo  $\varnothing 4$  (sotto), interfaccia per attuatore da pannello

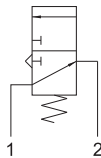
3/2 NC push-in fittings for  $\varnothing 4$  tube (ports on the bottom), actuator adaptor for panel mounting



## 314 MB

3/2 NA raccordi automatici per tubo  $\varnothing 4$  (sotto), interfaccia per attuatore da pannello

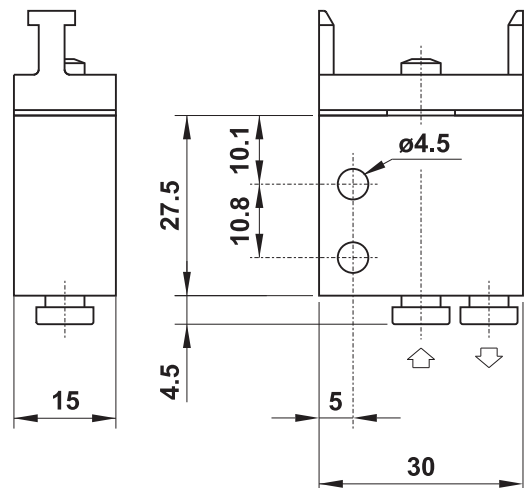
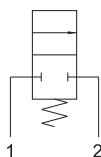
3/2 NO push-in fittings for  $\varnothing 4$  tube (ports on the bottom), actuator adaptor for panel mounting



## 204 MB

2/2 NC raccordi automatici per tubo  $\varnothing 4$  (sotto), interfaccia per attuatore da pannello

2/2 NC push-in fittings for  $\varnothing 4$  tube (ports on the bottom), actuator adaptor for panel mounting



# microvalvole

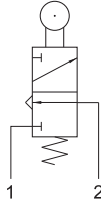
microvalves



## 304 MR

3/2 NC raccordi automatici per tubo  $\varnothing 4$  (sotto),  
leva rullo

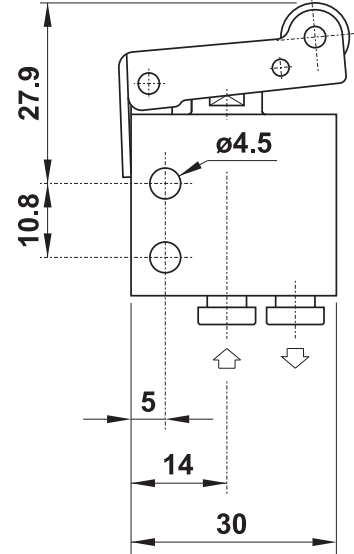
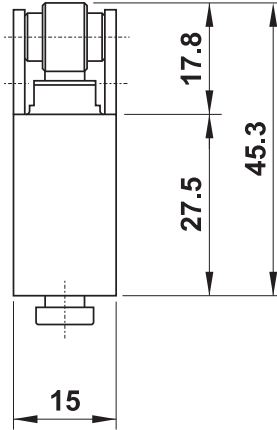
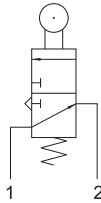
3/2 NC push-in fittings for  $\varnothing 4$  tube (ports on the bottom),  
roller lever



## 314 MR

3/2 NA raccordi automatici per tubo  $\varnothing 4$  (sotto),  
leva rullo

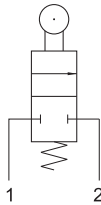
3/2 NO push-in fittings for  $\varnothing 4$  tube (ports on the bottom),  
roller lever



## 204 MR

2/2 NC raccordi automatici per tubo  $\varnothing 4$  (sotto),  
leva rullo

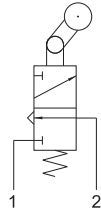
2/2 NC push-in fittings for  $\varnothing 4$  tube (ports on the bottom),  
roller lever



## 304 MS

3/2 NC raccordi automatici per tubo  $\varnothing 4$  (sotto),  
leva unidirezionale

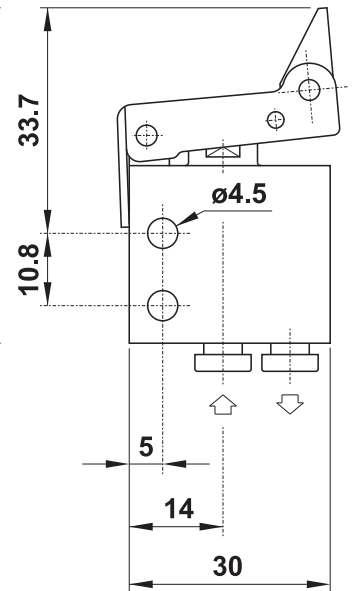
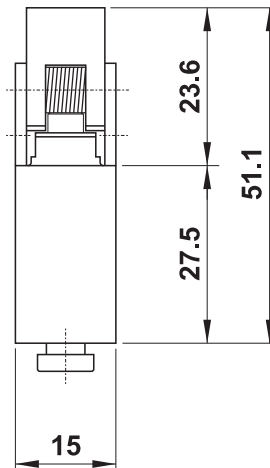
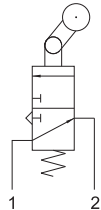
3/2 NC push-in fittings for  $\varnothing 4$  tube (ports on the bottom),  
uni-directional lever



## 314 MS

3/2 NA raccordi automatici per tubo  $\varnothing 4$  (sotto),  
leva unidirezionale

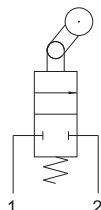
3/2 NO push-in fittings for  $\varnothing 4$  tube (ports on the bottom),  
uni-directional lever



## 204 MS

2/2 NC raccordi automatici per tubo  $\varnothing 4$  (sotto),  
leva unidirezionale

2/2 NC push-in fittings for  $\varnothing 4$  tube (ports on the bottom),  
uni-directional lever



# microvalvole

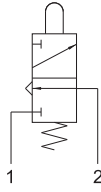
microvalves



## 304 MV

3/2 NC raccordi automatici per tubo  $\varnothing 4$  (sotto),  
pulsante passa parete

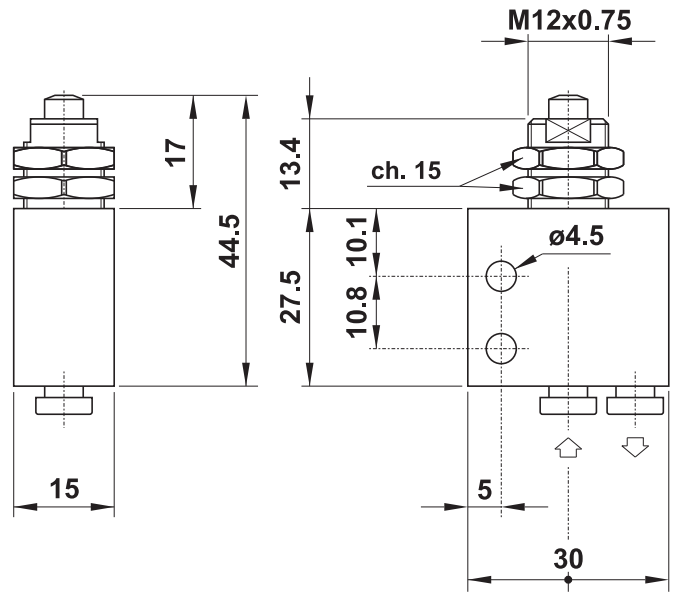
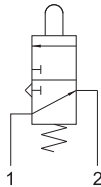
3/2 NC push-in fittings for  $\varnothing 4$  tube (ports on the bottom),  
panel mount tappet



## 314 MV

3/2 NA raccordi automatici per tubo  $\varnothing 4$  (sotto),  
pulsante passa parete

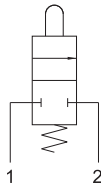
3/2 NO push-in fittings for  $\varnothing 4$  tube (ports on the bottom),  
panel mount tappet



## 204 MV

2/2 NC raccordi automatici per tubo  $\varnothing 4$  (sotto),  
pulsante passa parete

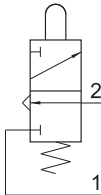
2/2 NC push-in fittings for  $\varnothing 4$  tube (ports on the bottom),  
panel mount tappet



## 304 MA UL

3/2 NC raccordi automatici per tubo  $\varnothing 4$  (laterali),  
pulsante

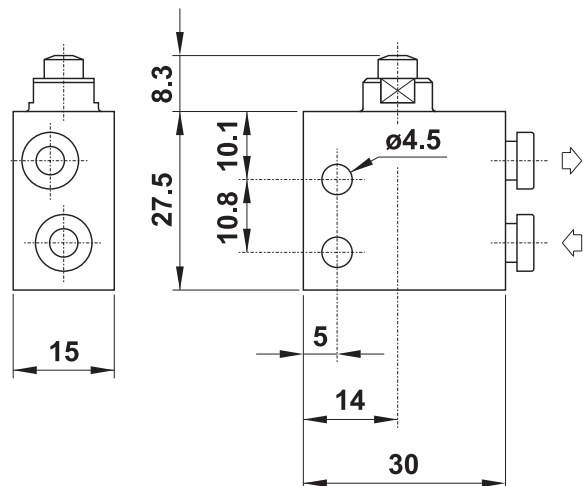
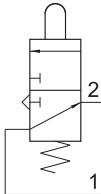
3/2 NC push-in fittings for  $\varnothing 4$  tube (ports on the side),  
tappet



## 314 MA UL

3/2 NA raccordi automatici per tubo  $\varnothing 4$  (laterali),  
pulsante

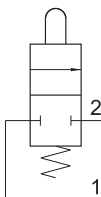
3/2 NO push-in fittings for  $\varnothing 4$  tube (ports on the side),  
tappet



## 204 MA UL

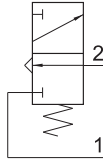
2/2 NC raccordi automatici per tubo  $\varnothing 4$  (laterali),  
pulsante

2/2 NC push-in fittings for  $\varnothing 4$  tube (ports on the side),  
tappet



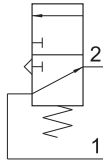
## 304 MB UL

- 3/2 NC raccordi automatici per tubo  $\varnothing 4$  (laterali),  
interfaccia per attuatore da pannello
- 3/2 NC push-in fittings for  $\varnothing 4$  tube (ports on the side),  
actuator adaptor for panel mounting



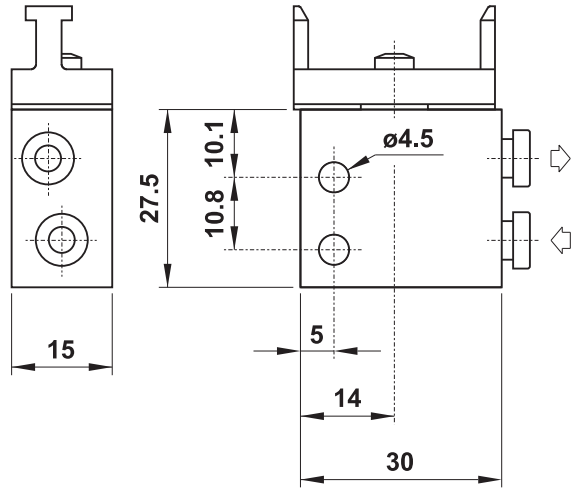
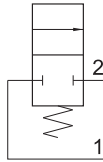
## 314 MB UL

- 3/2 NA raccordi automatici per tubo  $\varnothing 4$  (laterali),  
interfaccia per attuatore da pannello
- 3/2 NO push-in fittings for  $\varnothing 4$  tube (ports on the side),  
actuator adaptor for panel mounting



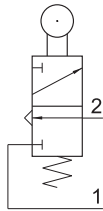
## 204 MB UL

- 2/2 NC raccordi automatici per tubo  $\varnothing 4$  (laterali),  
interfaccia per attuatore da pannello
- 2/2 NC push-in fittings for  $\varnothing 4$  tube (ports on the side),  
actuator adaptor for panel mounting



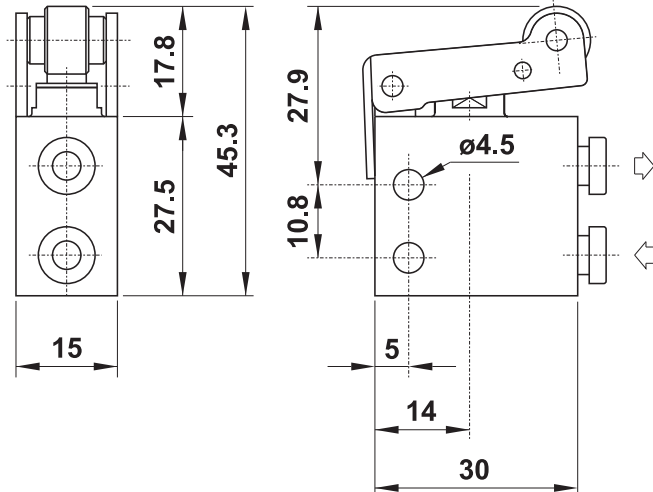
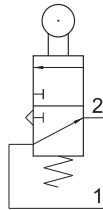
## 304 MR UL

- 3/2 NC raccordi automatici per tubo  $\varnothing 4$  (laterali),  
leva rullo
- 3/2 NC push-in fittings for  $\varnothing 4$  tube (ports on the side),  
roller lever



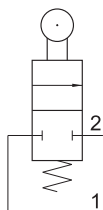
## 314 MR UL

- 3/2 NA raccordi automatici per tubo  $\varnothing 4$  (laterali),  
leva rullo
- 3/2 NO push-in fittings for  $\varnothing 4$  tube (ports on the side),  
roller lever



## 204 MR UL

- 2/2 NC raccordi automatici per tubo  $\varnothing 4$  (laterali),  
leva rullo
- 2/2 NC push-in fittings for  $\varnothing 4$  tube (ports on the side),  
roller lever





# microvalvole

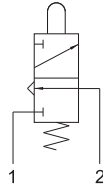
microvalves



## 305 MA

3/2 NC attacchi filettati M5 (sotto),  
pulsante

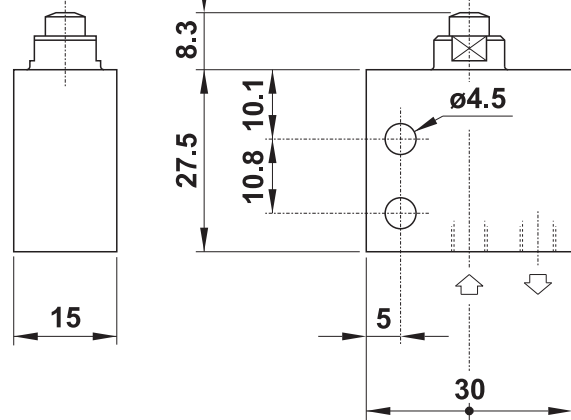
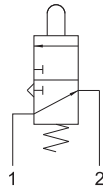
3/2 NC M5 threaded ports (on the bottom),  
tappet



## 315 MA

3/2 NA attacchi filettati M5 (sotto),  
pulsante

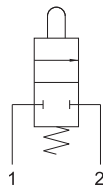
3/2 NO M5 threaded ports (on the bottom),  
tappet



## 205 MA

2/2 NC attacchi filettati M5 (sotto),  
pulsante

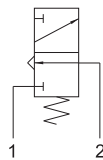
2/2 NC M5 threaded ports (on the bottom),  
tappet



## 305 MB

3/2 NC attacchi filettati M5 (sotto),  
interfaccia per attuatore da pannello

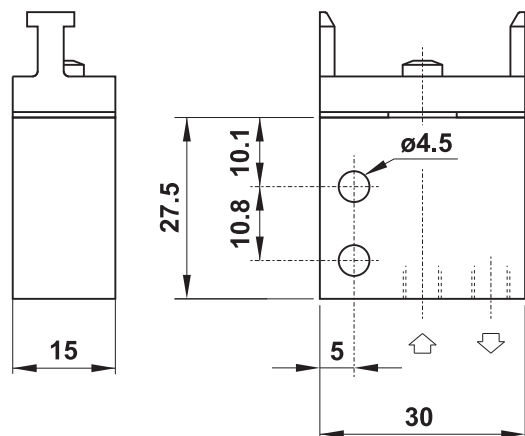
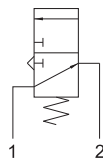
3/2 NC M5 threaded ports (on the bottom),  
actuator adaptor for panel mounting



## 315 MB

3/2 NA attacchi filettati M5 (sotto),  
interfaccia per attuatore da pannello

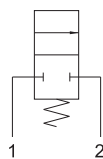
3/2 NO M5 threaded ports (on the bottom),  
actuator adaptor for panel mounting



## 205 MB

2/2 NC attacchi filettati M5 (sotto),  
interfaccia per attuatore da pannello

2/2 NC M5 threaded ports (on the bottom),  
actuator adaptor for panel mounting



# microvalvole

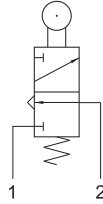
microvalves



## 305 MR

3/2 NC attacchi filettati M5 (sotto),  
leva rullo

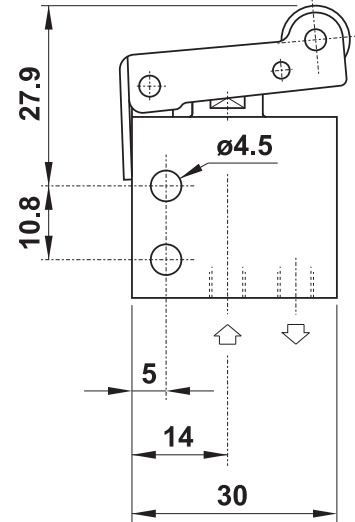
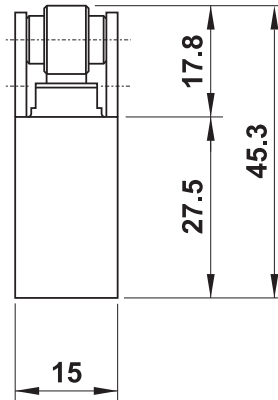
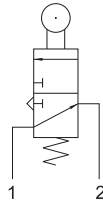
3/2 NC M5 threaded ports (on the bottom),  
roller lever



## 315 MR

3/2 NA attacchi filettati M5 (sotto),  
leva rullo

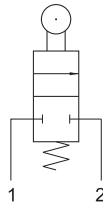
3/2 NO M5 threaded ports (on the bottom),  
roller lever



## 205 MR

2/2 NC attacchi filettati M5 (sotto),  
leva rullo

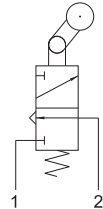
2/2 NC M5 threaded ports (on the bottom),  
roller lever



## 305 MS

3/2 NC attacchi filettati M5 (sotto),  
leva unidirezionale

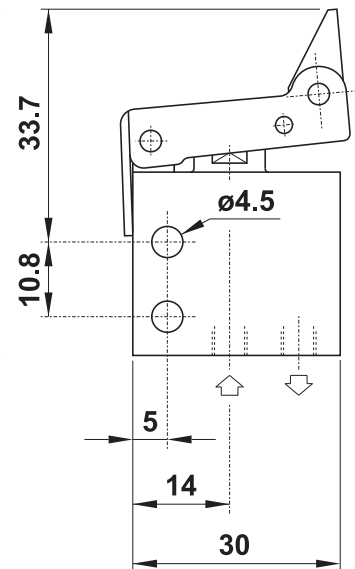
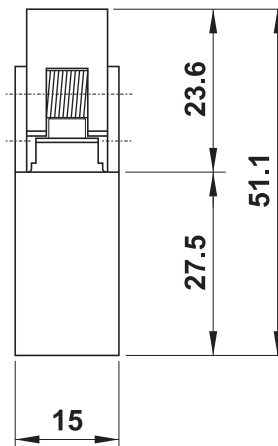
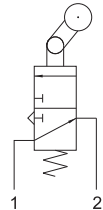
3/2 NC M5 threaded ports (on the bottom),  
uni-directional lever



## 315 MS

3/2 NA attacchi filettati M5 (sotto),  
leva unidirezionale

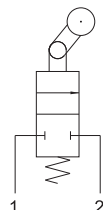
3/2 NO M5 threaded ports (on the bottom),  
uni-directional lever



## 205 MS

2/2 NC attacchi filettati M5 (sotto),  
leva unidirezionale

2/2 NC M5 threaded ports (on the bottom),  
uni-directional lever



# microvalvole

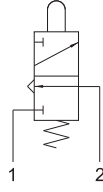
microvalves



## 305 MV

3/2 NC attacchi filettati M5 (sotto),  
pulsante passa parete

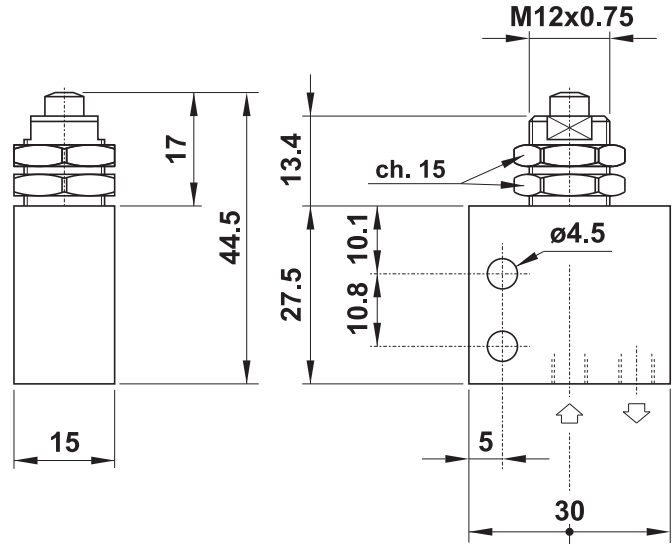
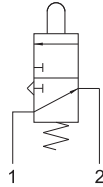
3/2 NC M5 threaded ports (on the bottom),  
panel mount tappet



## 315 MV

3/2 NA attacchi filettati M5 (sotto),  
pulsante passa parete

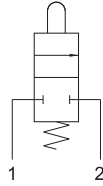
3/2 NO M5 threaded ports (on the bottom),  
panel mount tappet



## 205 MV

2/2 NC attacchi filettati M5 (sotto),  
pulsante passa parete

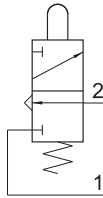
2/2 NC M5 threaded ports (on the bottom),  
panel mount tappet



## 305 MA UL

3/2 NC attacchi filettati M5 (lateral),  
pulsante

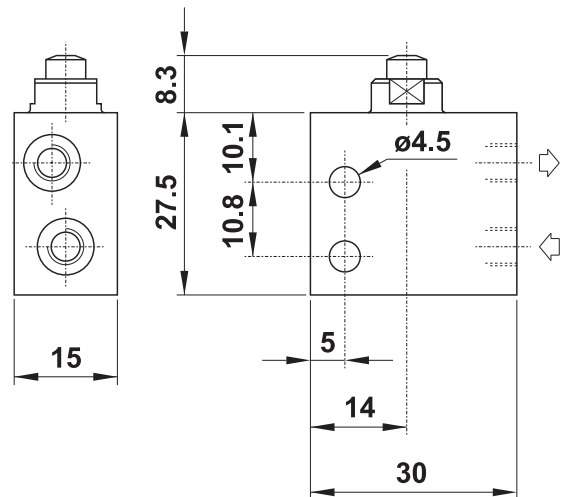
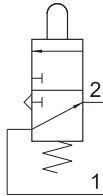
3/2 NC M5 threaded ports (on the side),  
tappet



## 315 MA UL

3/2 NA attacchi filettati M5 (lateral),  
pulsante

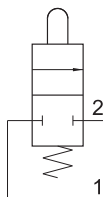
3/2 NO M5 threaded ports (on the side),  
tappet



## 205 MA UL

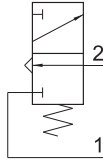
2/2 NC attacchi filettati M5 (lateral),  
pulsante

2/2 NC M5 threaded ports (on the side),  
tappet



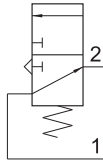
## 305 MB UL

3/2 NC attacchi filettati M5 (lateral),  
interfaccia per attuatore da pannello  
3/2 NC M5 threaded ports (on the side),  
actuator adaptor for panel mounting



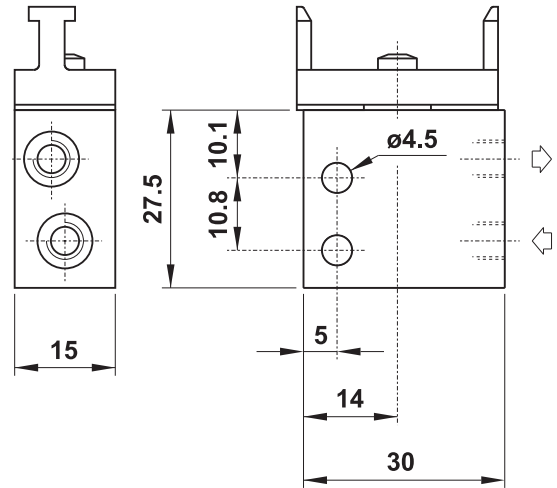
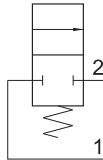
## 315 MB UL

3/2 NA attacchi filettati M5 (lateral),  
interfaccia per attuatore da pannello  
3/2 NO M5 threaded ports (on the side),  
actuator adaptor for panel mounting



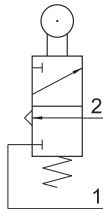
## 205 MB UL

2/2 NC attacchi filettati M5 (lateral),  
interfaccia per attuatore da pannello  
2/2 NC M5 threaded ports (on the side),  
actuator adaptor for panel mounting



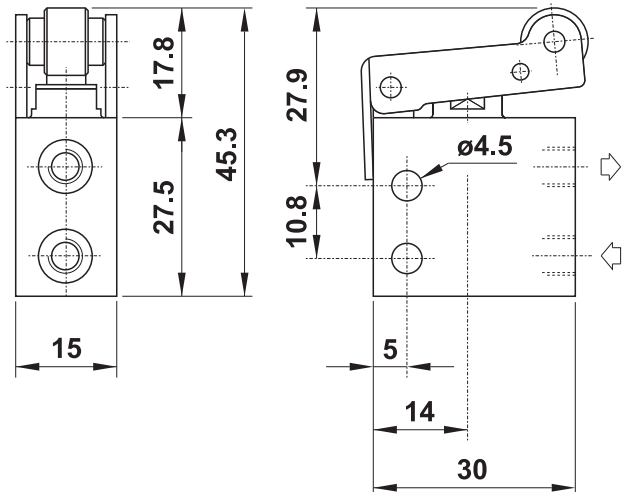
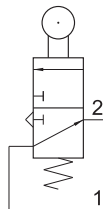
## 305 MR UL

3/2 NC attacchi filettati M5 (lateral),  
leva rullo  
3/2 NC M5 threaded ports (on the side),  
roller lever



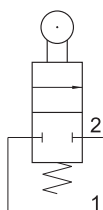
## 315 MR UL

3/2 NA attacchi filettati M5 (lateral),  
leva rullo  
3/2 NO M5 threaded ports (on the side),  
roller lever



## 205 MR UL

2/2 NC attacchi filettati M5 (lateral),  
leva rullo  
2/2 NC M5 threaded ports (on the side),  
roller lever



# microvalvole

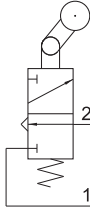
microvalves



## 305 MS UL

3/2 NC attacchi filettati M5 (laterali),  
leva unidirezionale

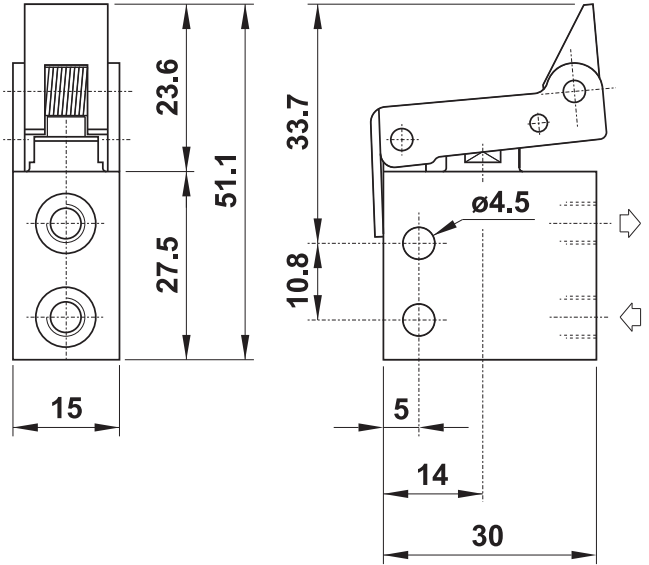
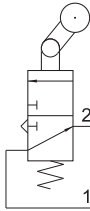
3/2 NC M5 threaded ports (on the side),  
uni-directional lever



## 315 MS UL

3/2 NA attacchi filettati M5 (laterali),  
leva unidirezionale

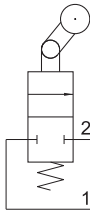
3/2 NO M5 threaded ports (on the side),  
uni-directional lever



## 205 MS UL

2/2 NC attacchi filettati M5 (laterali),  
leva unidirezionale

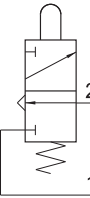
2/2 NC M5 threaded ports (on the side),  
uni-directional lever



## 305 MV UL

3/2 NC attacchi filettati M5 (laterali),  
pulsante passa parete

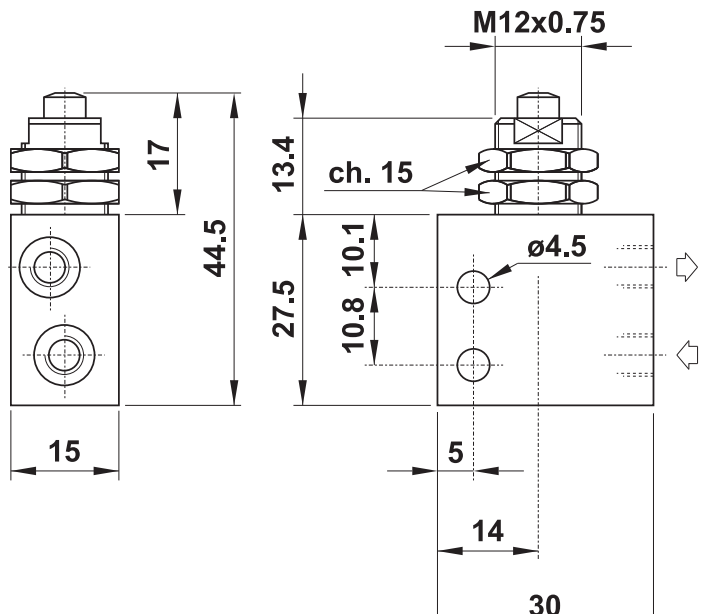
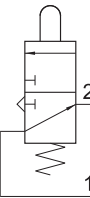
3/2 NC M5 threaded ports (on the side),  
panel mount tappet



## 315 MV UL

3/2 NA attacchi filettati M5 (laterali),  
pulsante passa parete

3/2 NO M5 threaded ports (on the side),  
panel mount tappet



## 205 MV UL

2/2 NC attacchi filettati M5 (laterali),  
pulsante passa parete

2/2 NC M5 threaded ports (on the side),  
panel mount tappet



# microvalvole

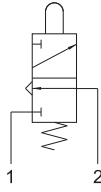
microvalves



## 304 MGx

3/2 NC raccordi automatici per tubo  $\varnothing 4$  (sotto),  
tasto (4 colori - vedi schema)

3/2 NC push-in fittings for  $\varnothing 4$  tube (ports on the bottom),  
push button (4 colours - see explanation)



Nella sigla del prodotto sostituire la lettera "x" con l'indicazione del colore del tasto.

In the part number replace the letter "x" with the colour reference of the push button.

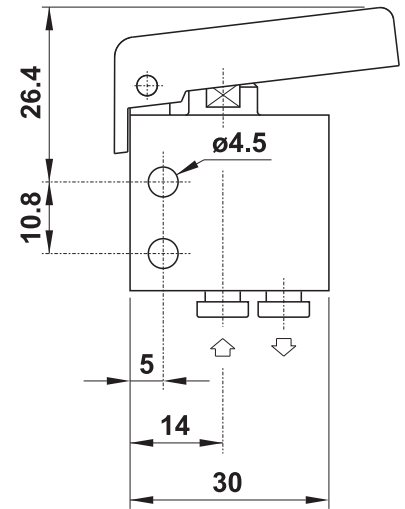
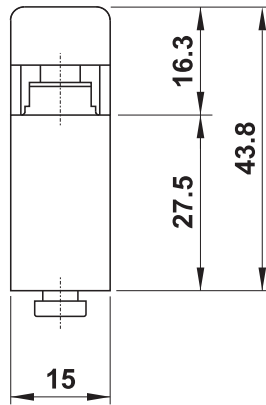
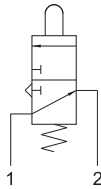
ROSSO - red	<b>R</b>
GIALLO - yellow	<b>G</b>
VERDE - green	<b>V</b>
NERO - black	<b>N</b>



## 314 MGx

3/2 NA raccordi automatici per tubo  $\varnothing 4$  (sotto),  
tasto (4 colori - vedi schema)

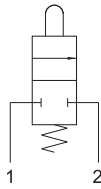
3/2 NO push-in fittings for  $\varnothing 4$  tube (ports on the bottom),  
push button (4 colours - see explanation)



## 204 MGx

2/2 NC raccordi automatici per tubo  $\varnothing 4$  (sotto),  
tasto (4 colori - vedi schema)

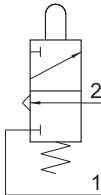
2/2 NC push-in fittings for  $\varnothing 4$  tube (ports on the bottom),  
push button (4 colours - see explanation)



## 304 MGx UL

3/2 NC raccordi automatici per tubo  $\varnothing 4$  (laterali),  
tasto (4 colori - vedi schema)

3/2 NC push-in fittings for  $\varnothing 4$  tube (ports on the side),  
push button (4 colours - see explanation)



Nella sigla del prodotto sostituire la lettera "x" con l'indicazione del colore del tasto.

In the part number replace the letter "x" with the colour reference of the push button.

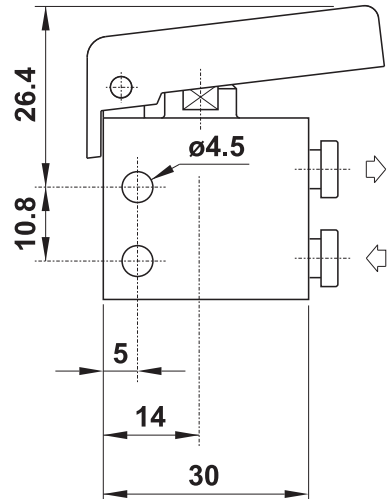
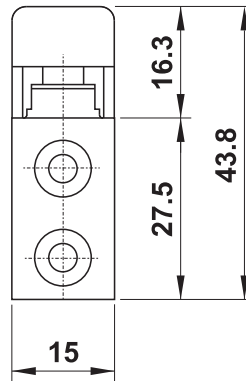
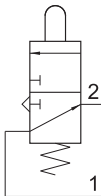
ROSSO - red	<b>R</b>
GIALLO - yellow	<b>G</b>
VERDE - green	<b>V</b>
NERO - black	<b>N</b>



## 314 MGx UL

3/2 NA raccordi automatici per tubo  $\varnothing 4$  (laterali),  
tasto (4 colori - vedi schema)

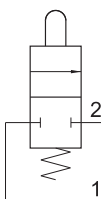
3/2 NO push-in fittings for  $\varnothing 4$  tube (ports on the side),  
push button (4 colours - see explanation)



## 204 MGx UL

2/2 NC raccordi automatici per tubo  $\varnothing 4$  (laterali),  
tasto (4 colori - vedi schema)

2/2 NC push-in fittings for  $\varnothing 4$  tube (ports on the side),  
push button (4 colours - see explanation)



# microvalvole

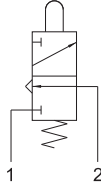
microvalves



## 305 MGx

3/2 NC attacchi filettati M5 (sotto),  
tasto (4 colori - vedi schema)

3/2 NC M5 threaded ports (on the bottom),  
push button (4 colours - see explanation)



Nella sigla del prodotto sostituire la lettera "x" con l'indicazione del colore del tasto.

In the part number replace the letter "x" with the colour reference of the push button.

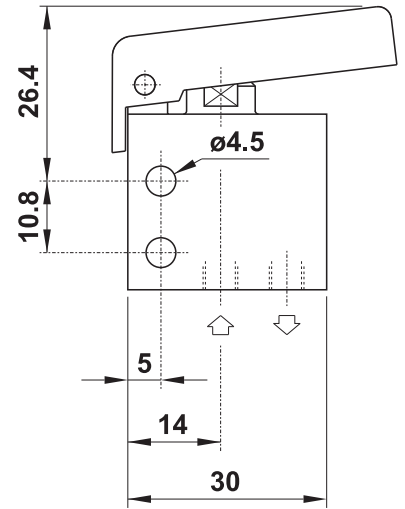
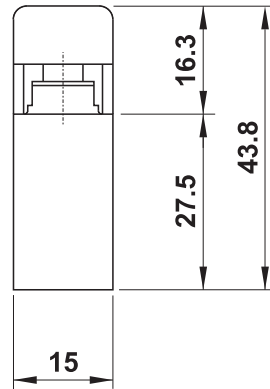
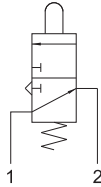
ROSSO - red	<b>R</b>
GIALLO - yellow	<b>G</b>
VERDE - green	<b>V</b>
NERO - black	<b>N</b>



## 315 MGx

3/2 NA attacchi filettati M5 (sotto),  
tasto (4 colori - vedi schema)

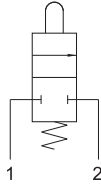
3/2 NO M5 threaded ports (on the bottom),  
push button (4 colours - see explanation)



## 205 MGx

2/2 NC attacchi filettati M5 (sotto),  
tasto (4 colori - vedi schema)

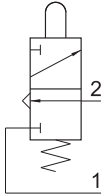
2/2 NC M5 threaded ports (on the bottom),  
push button (4 colours - see explanation)



## 305 MGx UL

3/2 NC attacchi filettati M5 (lateral),  
tasto (4 colori - vedi schema)

3/2 NC M5 threaded ports (on the side),  
push button (4 colours - see explanation)



Nella sigla del prodotto sostituire la lettera "x" con l'indicazione del colore del tasto.

In the part number replace the letter "x" with the colour reference of the push button.

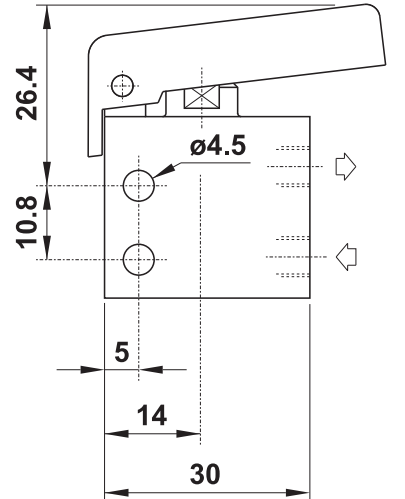
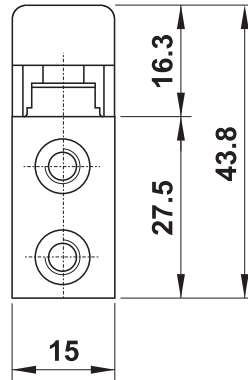
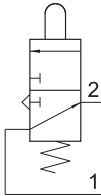
ROSSO - red	<b>R</b>
GIALLO - yellow	<b>G</b>
VERDE - green	<b>V</b>
NERO - black	<b>N</b>



## 315 MGx UL

3/2 NA attacchi filettati M5 (lateral),  
tasto (4 colori - vedi schema)

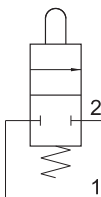
3/2 NO M5 threaded ports (on the side),  
push button (4 colours - see explanation)



## 205 MGx UL

2/2 NC attacchi filettati M5 (lateral),  
tasto (4 colori - vedi schema)

2/2 NC M5 threaded ports (on the side),  
push button (4 colours - see explanation)

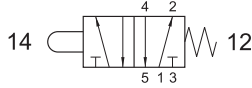


# microvalvole

microvalves



## 504 MB

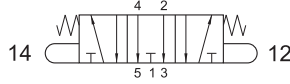


5/2 raccordi automatici per tubo  $\varnothing 4$  (sotto),  
interfaccia per attuatore da pannello

5/2 *push-in fittings for  $\varnothing 4$  tube (ports on the bottom),  
actuator adaptor for panel mounting*



## 2.304 MB

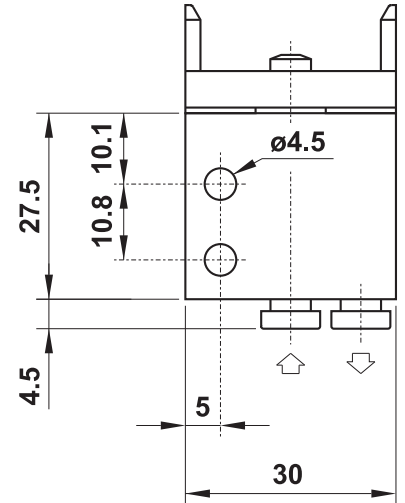
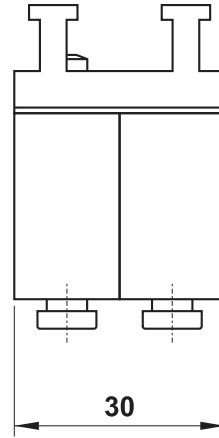


5/3 centri aperti

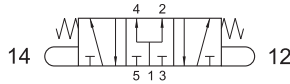
raccordi automatici per tubo  $\varnothing 4$  (sotto),  
interfaccia per attuatore da pannello

5/3 *open centres*

*push-in fittings for  $\varnothing 4$  tube (ports on the bottom),  
actuator adaptor for panel mounting*



## 2.314 MB



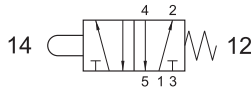
5/3 centri in pressione

raccordi automatici per tubo  $\varnothing 4$  (sotto),  
interfaccia per attuatore da pannello

5/3 *pressurized centres*

*push-in fittings for  $\varnothing 4$  tube (ports on the bottom),  
actuator adaptor for panel mounting*

## 505 MB

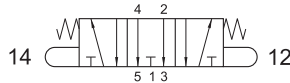


5/2 attacchi filettati M5 (sotto),  
interfaccia per attuatore da pannello

5/2 *M5 threaded ports (on the bottom),  
actuator adaptor for panel mounting*



## 2.305 MB

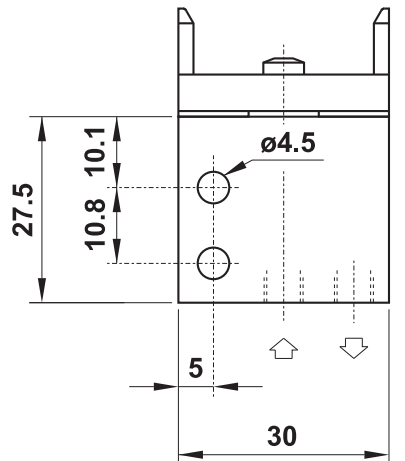
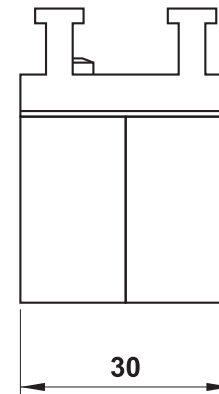


5/3 centri aperti

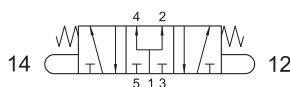
attacchi filettati M5 (sotto),  
interfaccia per attuatore da pannello

5/3 *open centres*

*M5 threaded ports (on the bottom),  
actuator adaptor for panel mounting*



## 2.315 MB



5/3 centri in pressione

attacchi filettati M5 (sotto),  
interfaccia per attuatore da pannello

5/3 *pressurized centres*

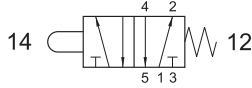
*M5 threaded ports (on the bottom),  
actuator adaptor for panel mounting*

# microvalvole

microvalves



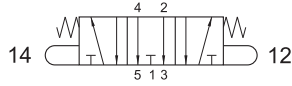
## 504 MB UL



- 5/2 raccordi automatici per tubo  $\varnothing 4$  (laterali),  
interfaccia per attuatore da pannello
- 5/2 *push-in fittings for  $\varnothing 4$  tube (ports on the side),  
actuator adaptor for panel mounting*

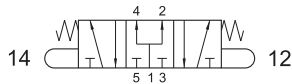


## 2.304 MB UL

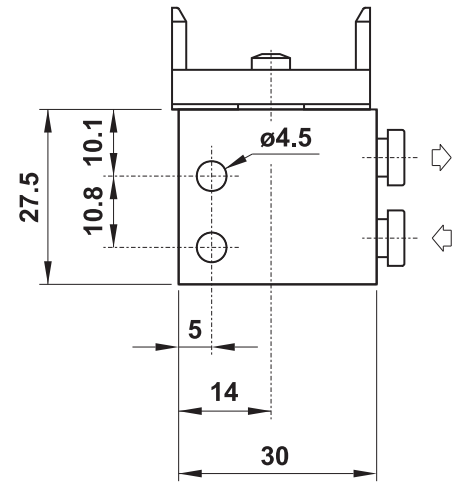
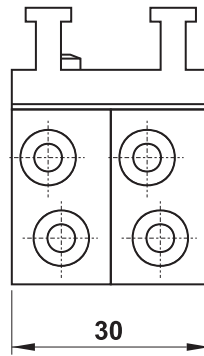


- 5/3 centri aperti
- raccordi automatici per tubo  $\varnothing 4$  (laterali),  
interfaccia per attuatore da pannello
- 5/3 *open centres*
- push-in fittings for  $\varnothing 4$  tube (ports on the side),  
actuator adaptor for panel mounting*

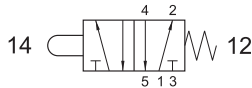
## 2.314 MB UL



- 5/3 centri in pressione
- raccordi automatici per tubo  $\varnothing 4$  (laterali),  
interfaccia per attuatore da pannello
- 5/3 *pressurized centres*
- push-in fittings for  $\varnothing 4$  tube (ports on the side),  
actuator adaptor for panel mounting*



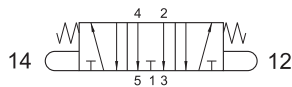
## 505 MB UL



- 5/2 attacchi filettati M5 (laterali),  
interfaccia per attuatore da pannello
- 5/2 *M5 threaded ports (on the side),  
actuator adaptor for panel mounting*

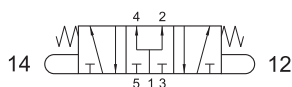


## 2.305 MB UL

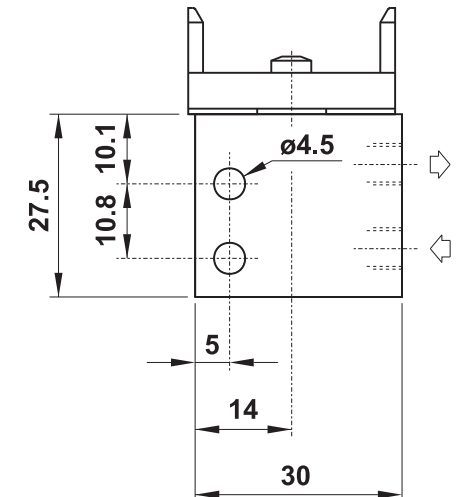
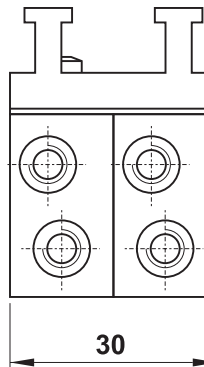


- 5/3 centri aperti
- attacchi filettati M5 (laterali),  
interfaccia per attuatore da pannello
- 5/3 *open centres*
- M5 threaded ports (on the side),  
actuator adaptor for panel mounting*

## 2.315 MB UL



- 5/3 centri in pressione
- attacchi filettati M5 (laterali),  
interfaccia per attuatore da pannello
- 5/3 *pressurized centres*
- M5 threaded ports (on the side),  
actuator adaptor for panel mounting*

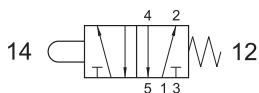


# microvalvole

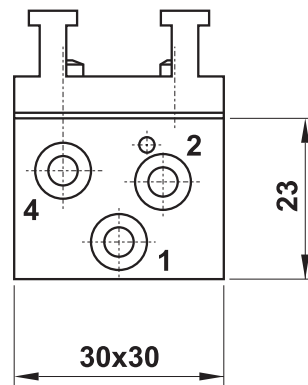
microvalves



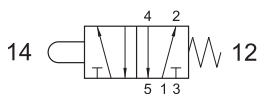
## 504 MB CU



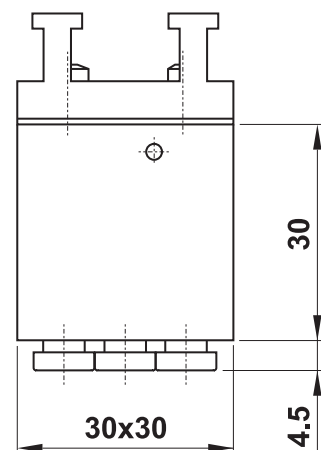
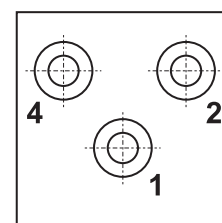
- 5/2 corpo unico
- raccordi automatici per tubo  $\varnothing 4$  (laterali), interfaccia per attuatore da pannello
- 5/2 *single valve body*
- push-in fittings for  $\varnothing 4$  tube (ports on the side), actuator adaptor for panel mounting*



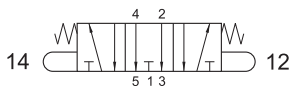
## 504 MB CU US



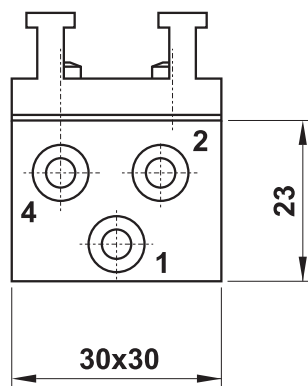
- 5/2 corpo unico
- raccordi automatici per tubo  $\varnothing 4$  (sotto), interfaccia per attuatore da pannello
- 5/2 *single valve body*
- push-in fittings for  $\varnothing 4$  tube (ports on the bottom), actuator adaptor for panel mounting*



## 2.304 MB CU

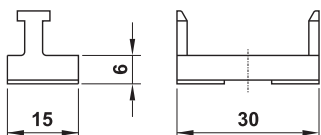


- 5/3 centri aperti, corpo unico
- raccordi automatici per tubo  $\varnothing 4$  (laterali), interfaccia per attuatore da pannello
- 5/3 *open centres, single valve body*
- push-in fittings for  $\varnothing 4$  tube (ports on the side), actuator adaptor for panel mounting*



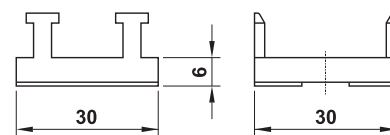
## 08.017.2

- interfaccia singola per attuatore a pannello completa di viti
- single adaptor for panel mounting actuator, complete with fixing screws*



## 08.015.2

- interfaccia doppia per attuatore a pannello completa di viti
- double adaptor for panel mounting actuator, complete with fixing screws*



# attuatori da pannello

actuators for panel mounting



## pulsante protetto protected push button

codice code	colori standard standard colours
PR1/NRB	ROSSO, NERO e BIANCO (forniti assieme nel kit) red, black and white (supplied in kit)

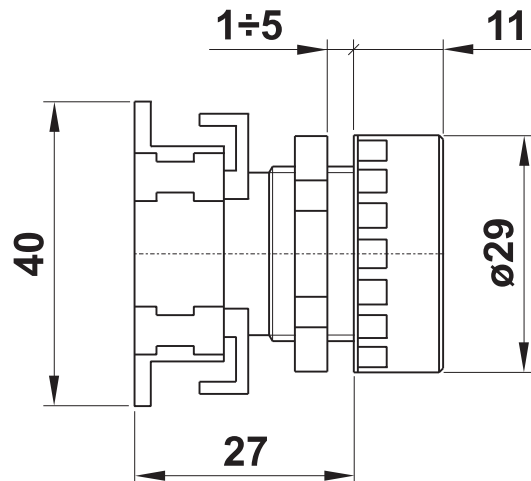
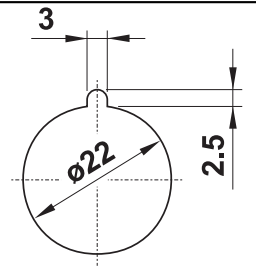
- I seguenti colori sono disponibili ordinandoli in aggiunta al kit standard  
The following colours can be ordered separately

codice code	colore colour
DCV1	VERDE [green]
DCG1	GIALLO [yellow]
DCA1	AZZURRO [light blue]
DCB1	BIANCO [white]

codice code	colore colour
DCN1	NERO [black]
DCR1	ROSSO [red]

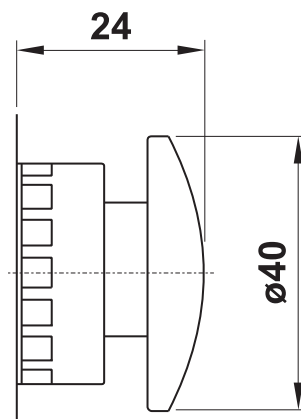
Foro per montaggio a pannello  
con asola antirotazione

Panel mounting hole with antirotation  
feature



## fungo ø40 ø40 mushroom

codice code	descrizione description	colore colour
PF2/40	monostabile assiale [axial mono-stable]	ROSSO [red]
PF1/40	monostabile assiale [axial mono-stable]	NERO [black]
PFB2/40	sblocco a rotazione [turn to unlock]	ROSSO [red]

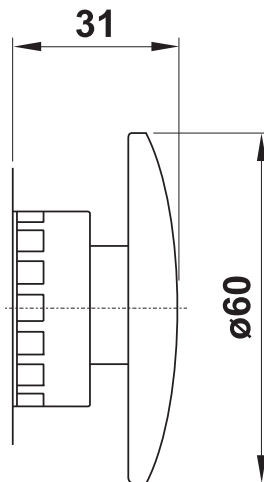


# attuatori da pannello

actuators for panel mounting

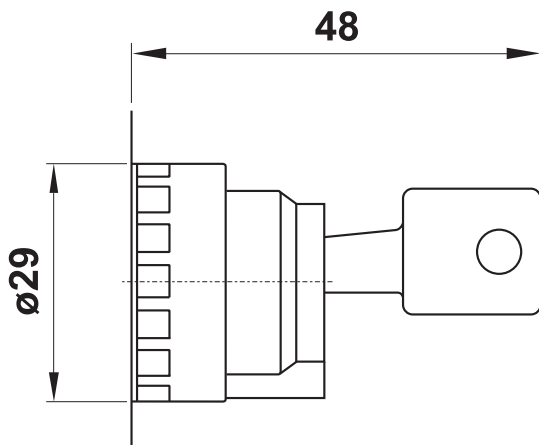


**fungo ø60**  
*ø60 palm*



codice <i>code</i>	descrizione <i>description</i>	colore <i>colour</i>
PFBA2	oscillante <i>[multi-directional]</i>	ROSSO <i>[red]</i>
PFB2/60	sblocco a rotazione <i>[turn to unlock]</i>	ROSSO <i>[red]</i>

**selettore a chiave**  
*key selector*



codice <i>code</i>	funzione <i>function</i>	posizione di estrazione chiave <i>position to pull the key out</i>
SSC/CD-V	0 1	solo centrale <i>[only in central position]</i>
SSC/CD-Z	0 1	ambedue <i>[both positions]</i>
SSC/E-V	2 0 1	solo centrale <i>[only in central position]</i>

# attuatori da pannello

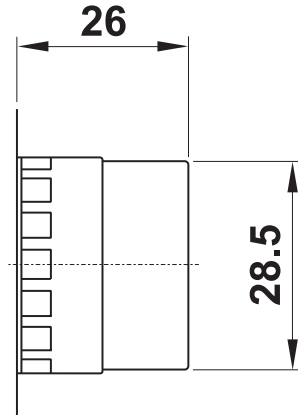
actuators for panel mounting



## selettore leva corta

short lever selector

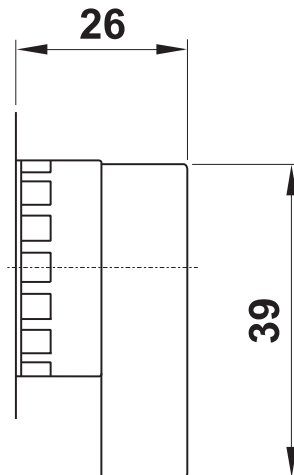
codice code	colore colour	funzione function
SS1/CD	NERO black	0 1
SS1/CD-R	NERO black	0 ← 1
SS1/E	NERO black	2 0 1
SS1/E-RC	NERO black	2 → 0 ← 1



## selettore leva lunga

long lever selector

codice code	colore colour	funzione function
SSP1/CD	NERO black	0 1
SSP1/CD/R	NERO black	0 ← 1
SSP1/E	NERO black	2 0 1
SSP1/E-RC	NERO black	2 → 0 ← 1



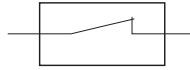
Materiale Material	Materiale plastico ad alte prestazioni High performance plastic material
Grado di protezione Protection degree	IP 55
Corrispondenza alle norme According to norms	EN 60947-5-1 VDE 0660 IEC 947-5
Temperatura di esercizio Temperature range	max +55°C
Durata meccanica Mechanical life time	500000 manovre [actuatiions]

# attuatori da pannello

actuators for panel mounting



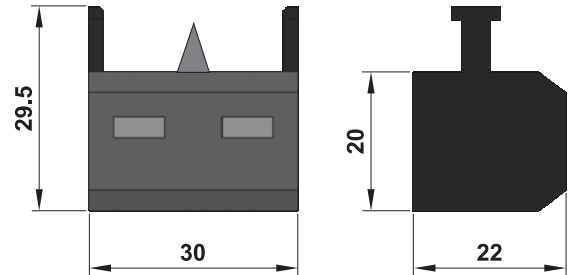
## interruttore elettrico NC NC electric switch



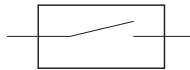
**CODICE DI ORDINAZIONE**  
**ORDER CODE**

**08.549.0**

corrente nominale	4.5 A	rated current
voltage nominale	230V AC 50/60 Hz	rated voltage
tensione di isolamento	250 V ~	rated insulation voltage
corrente nominale termica	12 A	rated thermal current
grado di isolamento IP	IP 40	IP protection degree



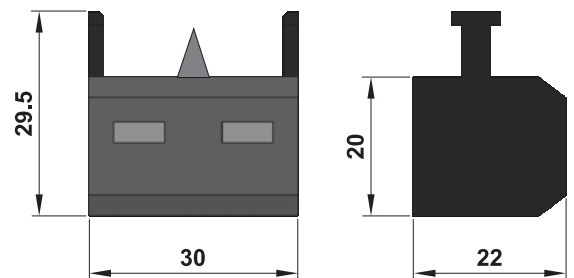
## interruttore elettrico NA NO electric switch



**CODICE DI ORDINAZIONE**  
**ORDER CODE**

**08.548.0**

corrente nominale	4.5 A	rated current
voltage nominale	230V AC 50/60 Hz	rated voltage
tensione di isolamento	250 V ~	rated insulation voltage
corrente nominale termica	12 A	rated thermal current
grado di isolamento IP	IP 40	IP protection degree



## Schema di assemblaggio

Assembling scheme

Questi interruttori NC e NA possono essere assemblati con gli attuatori da pannello, singolarmente o anche in combinazione con una microvalvola pneumatica.

These NC and NO switches can be assembled with actuators for panel mounting, individually or even in combination with a pneumatic microvalve.



# microvalvole

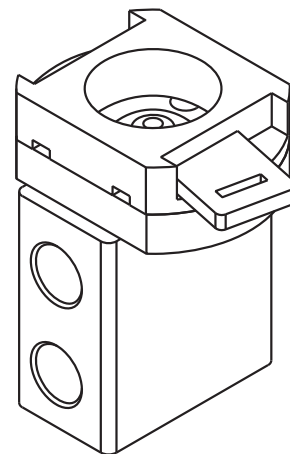
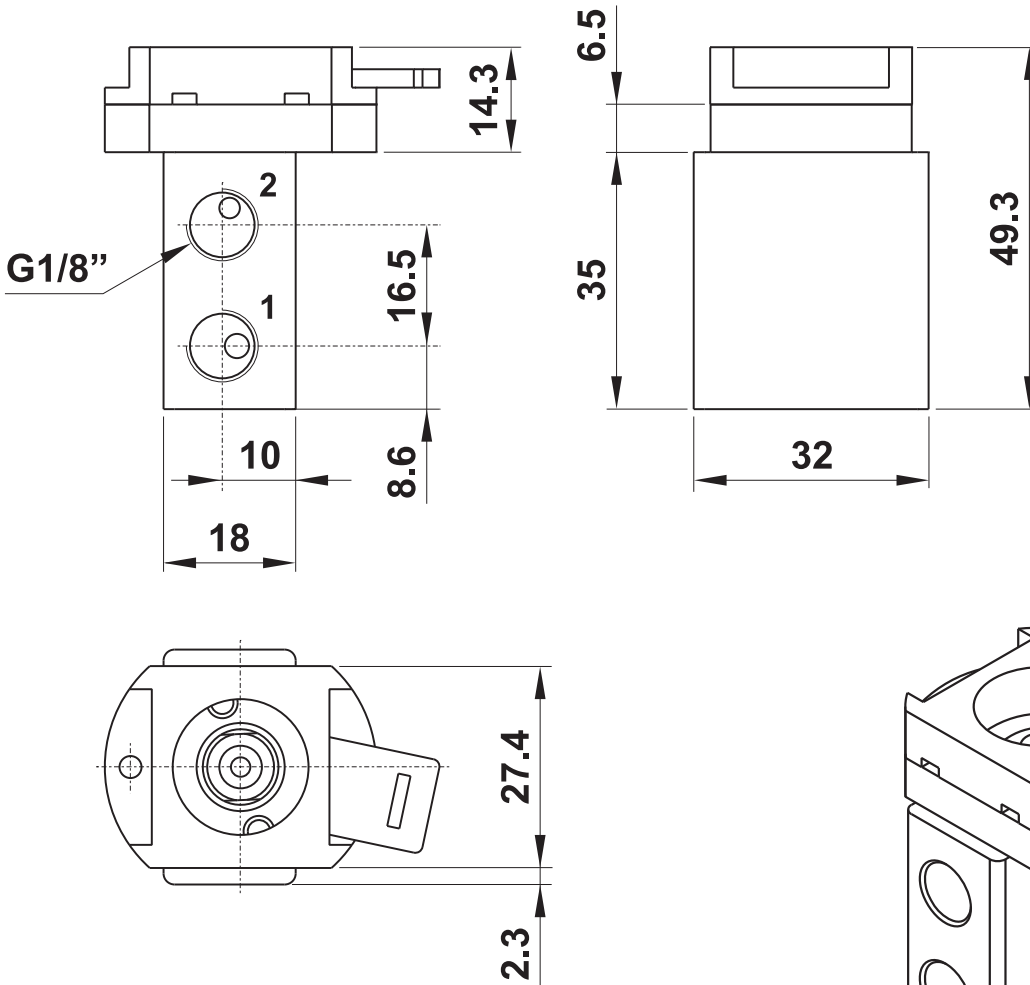
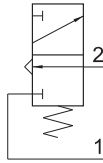
microvalves



## 08.341.4

3/2 NC attacchi filettati G1/8" (laterali),  
interfaccia per attuatore da pannello

3/2 NC G1/8" threaded ports (on the side),  
actuator adaptor for panel mounting



La valvola è venduta senza attuatore da pannello, facilmente reperibile sul mercato.

È una valida ed economica alternativa per la ricambistica.

*The valve is sold without actuator for panel mounting. The actuator can be easily found on the market. It is a reliable and cheap alternative as spare part.*

# microvalvole

microvalves

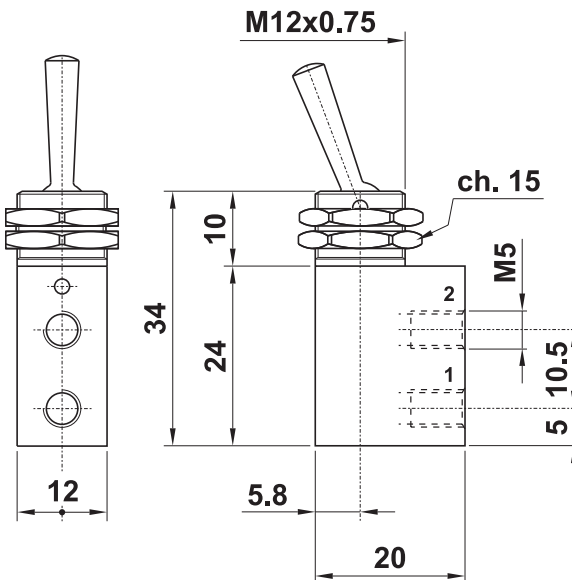
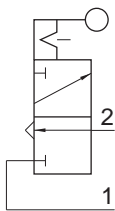


## 305 LL - 03.011.4

3/2 NC attacchi filettati M5  
leva in testa bistabile  
scarico non convogliabile  
materiale corpo: ottone nichelato

3/2 NC *M5 threaded ports  
bi-stable lever  
exhaust port without thread  
body material: nickel plated brass*

Pressione di esercizio: 0 ... 10 bar  
Working pressure: 0 ... 10 bar

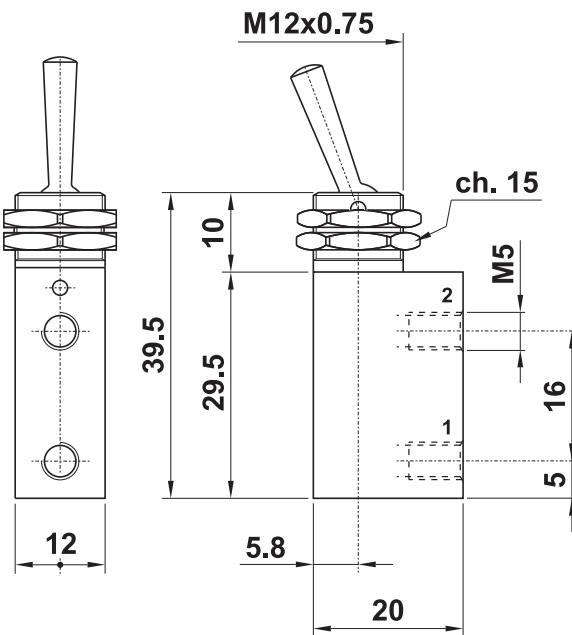
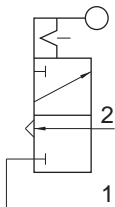


## 03.024.4

3/2 NC attacchi filettati M5, corpo prolungato  
leva in testa bistabile  
scarico non convogliabile  
materiale corpo: ottone nichelato

3/2 NC *M5 threaded ports, longer valve body  
bi-stable lever  
exhaust port without thread  
body material: nickel plated brass*

Pressione di esercizio: 0 ... 10 bar  
Working pressure: 0 ... 10 bar

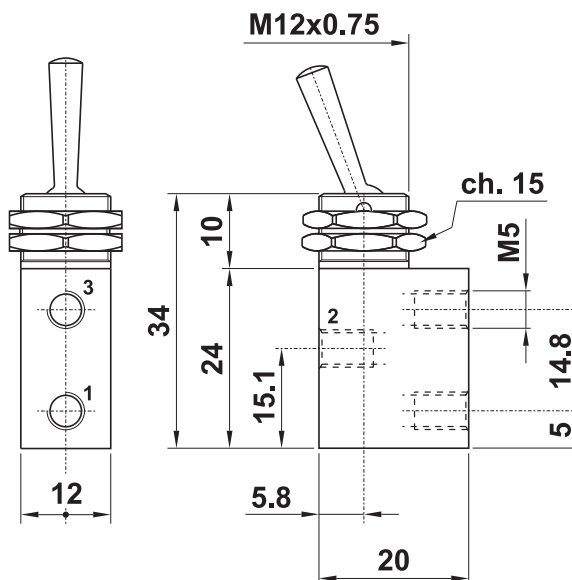
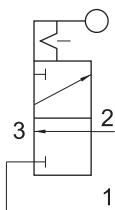


## 03.044.4

3/2 NC attacchi filettati M5  
leva in testa bistabile  
scarico convogliabile M5  
materiale corpo: ottone nichelato

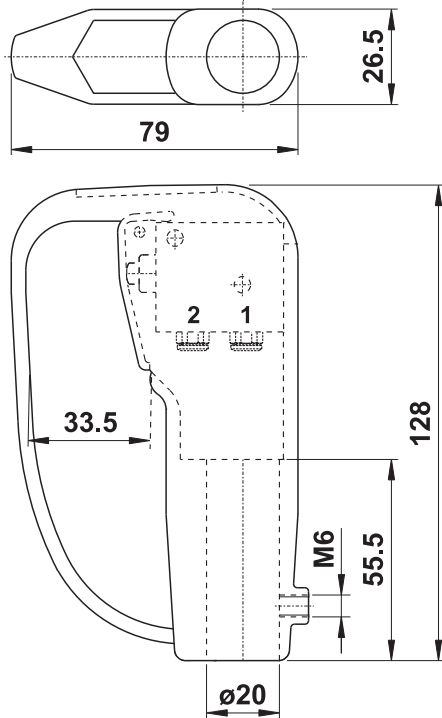
3/2 NC *M5 threaded ports  
bi-stable lever  
exhaust port with thread M5  
body material: nickel plated brass*

Pressione di esercizio: 0 ... 10 bar  
Working pressure: 0 ... 10 bar



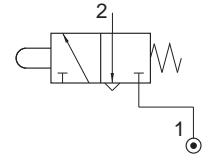
# microvalvola con maniglia

microvalve with handle



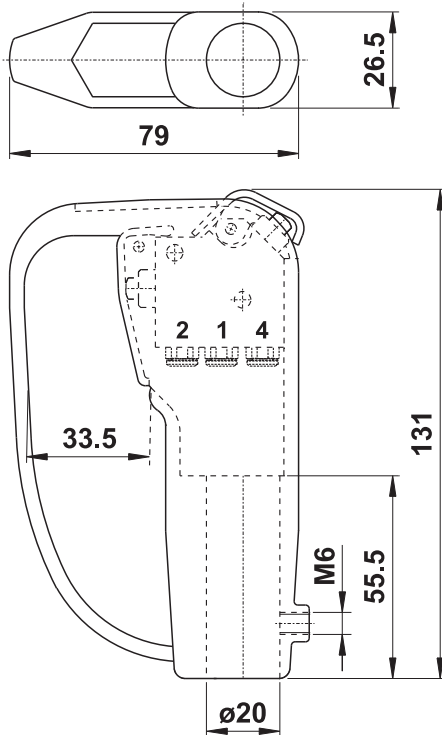
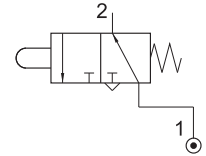
## 08.306.4

Maniglia con una microvalvola a otturatore 3/2 NC. La maniglia è fornita in kit semiassemblato.  
Handle mounted with one 3/2 NC poppet microvalve. The handle is supplied in half-assembled kit.



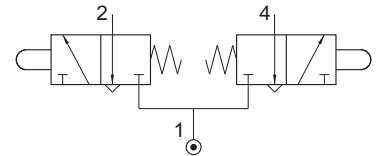
## 08.307.4

Maniglia con una microvalvola a otturatore 3/2 NA. La maniglia è fornita in kit semiassemblato.  
Handle mounted with one 3/2 NO poppet microvalve. The handle is supplied in half-assembled kit.



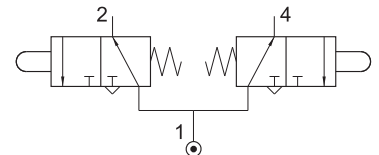
## 08.209.4

Maniglia con due microvalvole a otturatore 3/2 NC. La maniglia è fornita in kit semiassemblato.  
Handle mounted with two 3/2 NC poppet microvalves. The handle is supplied in half-assembled kit.



## 08.335.4

Maniglia con due microvalvole a otturatore 3/2 NA. La maniglia è fornita in kit semiassemblato.  
Handle mounted with two 3/2 NO poppet microvalves. The handle is supplied in half-assembled kit.



Attacchi Ports	automatici tubo ø4 ø4 push-in fittings
Diametro nominale Nominal orifice	2.5 mm
Portata nominale a 6 bar, Δp 1 bar Nominal flow rate at 6 bar, Δp 1 bar	100 NI/min
Temperatura di esercizio Temperature range	max +60°C
Pressione di esercizio Working pressure	2 ... 10 bar 0.2 ... 1 MPa
Fluido Fluid	Aria filtrata 50μ con o senza lubrificazione 50μ filtered, lubricated or non lubricated air

### Materiali

Corpo valvola: alluminio 11S  
Molle: INOX  
Guarnizioni: NBR  
Parti interne: ottone OT58  
Maniglia: materiale plastico antiurto

### Materials

Valve body: aluminium 11S  
Springs: stainless steel  
Seals: NBR  
Internal parts: brass OT58  
Handle: shock resistant plastic material