

# regolatori di scarico

exhaust regulators



**con silenziatore**  
*with silencer*



**Materiali**

Ottone OT 58

Molla: acciaio zincato

Guarnizioni: NBR (max +60°C)

Silenziatore: bronzo sinterizzato

**Materials**

Brass OT 58

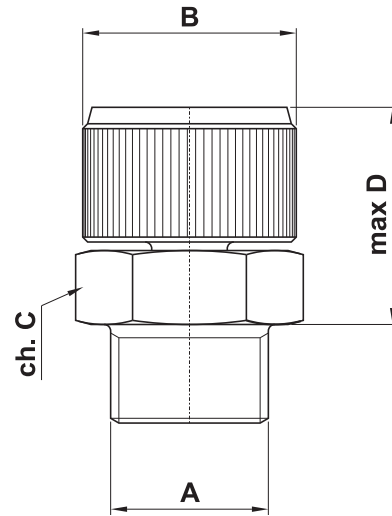
Spring: zinc-coated steel

Seals: NBR (max +60°C)

Silencer: sintered bronze

3

modello model	A	B	C	D
RSW 1/8	G1/8"	ø13	12	22
RSW 1/4	G1/4"	ø16	16	19
RSW 3/8	G3/8"	ø20	20	20
RSW 1/2	G1/2"	ø26	26	22



**regolazione di precisione**  
*precision regulation*



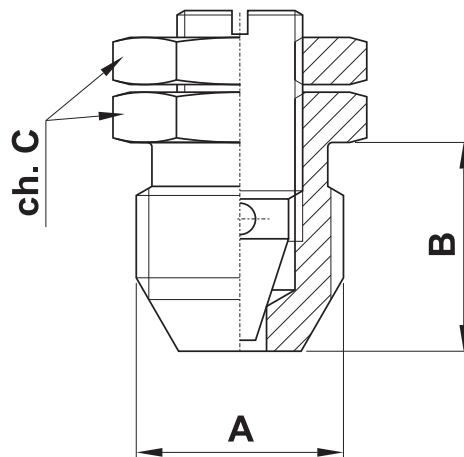
**Materiale**

Ottone OT 58

**Material**

Brass OT 58

modello model	A	B	C
RSTC 1/8	G1/8"	11	12
RSTC 1/4	G1/4"	13.3	14

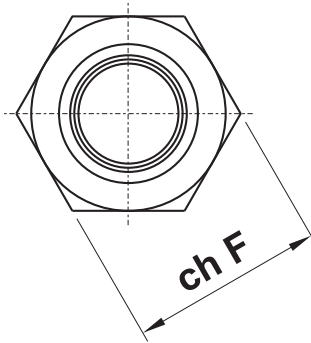
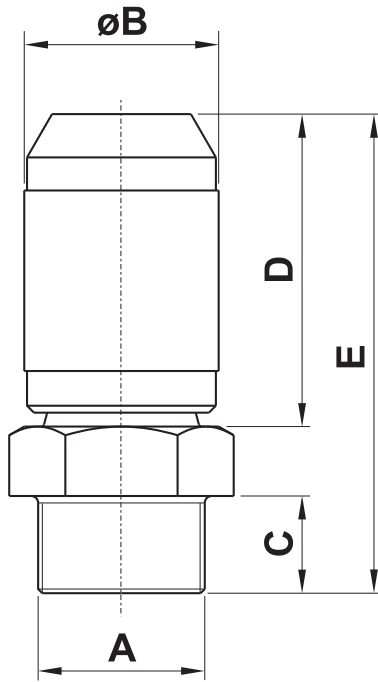


# regolatori di scarico

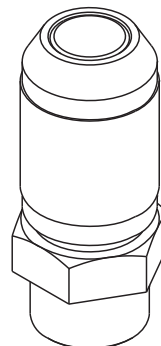
exhaust regulators



**a flusso libero**  
with free flow

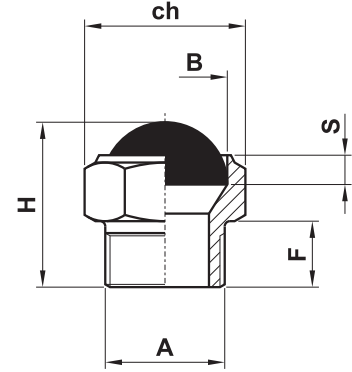


sigla part number	codice code	A	øB	C	D	E	ch F
RSFL 1/8	11.019.4	G1/8"	ø14	7	22.5	34.5	14
RSFL 1/4	11.020.4	G1/4"	ø14	7	22.5	34.5	14
RSFL 1/2	11.021.4	G1/2"	ø27	15	41	63	25



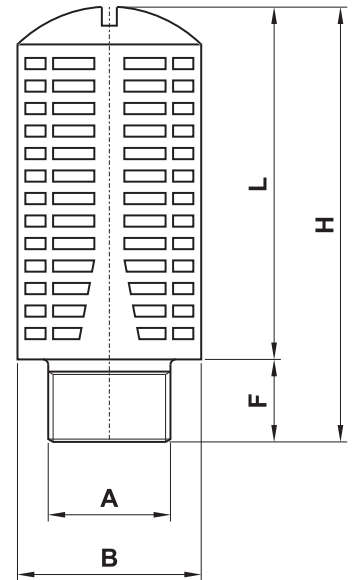
## AZ-SFE

modello model	A	B	ch	S	F	H
AZ-SFE1	M5	ø6.5	8	3	3.5	8
AZ-SFE2	G1/8"	ø11	13	4	6	16
AZ-SFE3	G1/4"	ø14	16	4	8	19
AZ-SFE4	G3/8"	ø17	19	4	9	21
AZ-SFE5	G1/2"	ø22	24	4	10	23



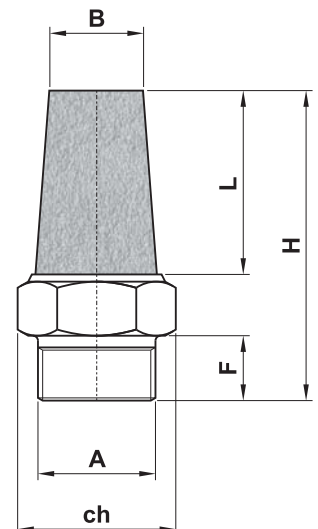
## AZ-SPL

modello model	A	B	F	L	H
AZ-SPL2	G1/8"	ø15	6	26.5	32.5
AZ-SPL3	G1/4"	ø19.5	8	35	43
AZ-SPL4	G3/8"	ø24.5	11	47	58
AZ-SPL5	G1/2"	ø24.5	11	47	58



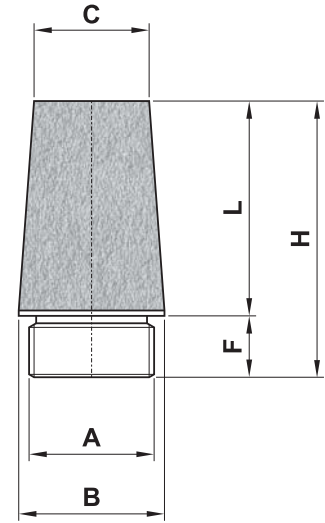
## AZ-SE

modello model	A	B	ch	F	L	H
AZ-SE1	M5	ø5	8	4	14	22
AZ-SE2	G1/8"	ø7	13	6	16	29
AZ-SE3	G1/4"	ø9	16	8	16.5	32
AZ-SE4	G3/8"	ø13	19	9	25.5	43
AZ-SE5	G1/2"	ø16	24	11	33	53



## AZ-SC

modello model	A	B	C	F	L	H
AZ-SC1	M5	ø6	ø5	4.5	8.5	13
AZ-SC2	G1/8"	ø12	ø8	6	15	21
AZ-SC3	G1/4"	ø15	ø11	6	19	25
AZ-SC4	G3/8"	ø19	ø15	8	28	36
AZ-SC5	G1/2"	ø23	ø18	10	33	43
AZ-SC6	G1"	ø37	ø31	11	49.5	60.5



## AZ-SEP

modello model	A	B	ch	F	S	H
AZ-SEP1	M5	ø6.5	8	3.5	3	8
AZ-SEP2	G1/8"	ø11	13	6	4	13
AZ-SEP3	G1/4"	ø14	16	8	4	16
AZ-SEP4	G3/8"	ø17	19	9	4	18
AZ-SEP5	G1/2"	ø22	24	11	4	20
AZ-SEP6	G1"	ø34	36	11	4	20

