



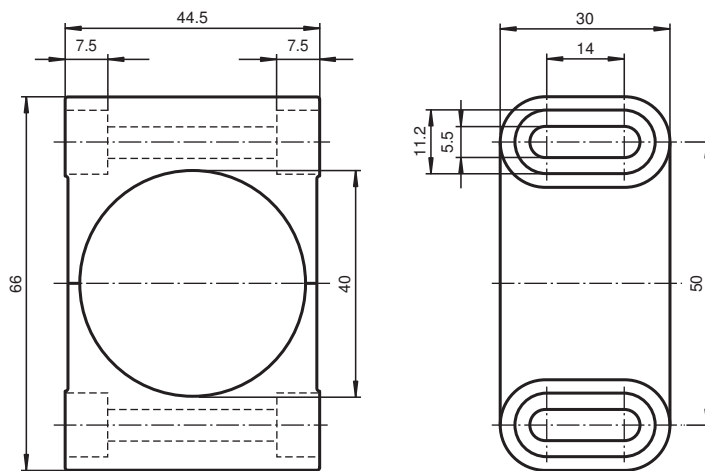
Mounting flange

BF 40

- Retainer for all cylindrical sensors with M40 thread
- Simple installation and exact setting

Mounting flange, 40 mm

Dimensions



Technical Data

General specifications

Inside diameter 40 mm

Ambient conditions

Ambient temperature -25 ... 85 °C (-13 ... 185 °F)

Mechanical specifications

Material PBT

Tightening torque, fastening screws max. 1.5 Nm

Dimensions 30 mm x 66 mm x 45 mm