

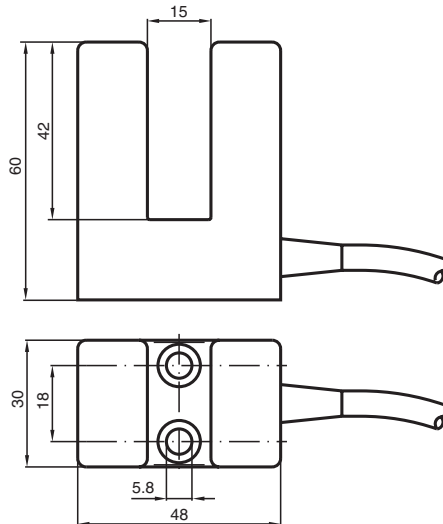
Inductive slot sensor

SJ15-A2

- 15 mm slot width
- 4-wire DC



Dimensions



Technical Data

General specifications

Switching function	complementary	
Output type	PNP	
Slot width	15 mm	
Depth of immersion (lateral)	17 ... 20 mm	
Output polarity	DC	
Output type	4-wire	

Nominal ratings

Nominal voltage	U_o	8 V
Operating voltage	U_B	10 ... 30 V DC
Switching frequency	f	0 ... 500 Hz
Reverse polarity protection	reverse polarity protected	
Short-circuit protection	pulsing	
Voltage drop	U_d	≤ 3 V
Operating current	I_L	0 ... 200 mA
No-load supply current	I_o	≤ 20 mA

Release date: 2024-05-27 Date of issue: 2024-05-28 Filename: 003795_eng.pdf

Technical Data

Compliance with standards and directives		
Standard conformity		
Standards		EN IEC 60947-5-2
Approvals and certificates		
UL approval		cULus Listed, General Purpose
CCC approval		CCC approval / marking not required for products rated ≤ 36 V
Ambient conditions		
Ambient temperature		-25 ... 70 °C (-13 ... 158 °F)
Mechanical specifications		
Connection type		cable
Housing material		PBT
Degree of protection		IP67
Cable		
Wire end ferrules		yes
Cable diameter		6.8 mm \pm 0.2 mm
Bending radius		> 10 x cable diameter
Material		PVC
Color		Gray
Number of cores		4
Core cross section		0.75 mm ²
Length	L	2 m
Mass		245 g
Dimensions		
Height		60 mm
Width		30 mm
Length		48 mm

Connection

