

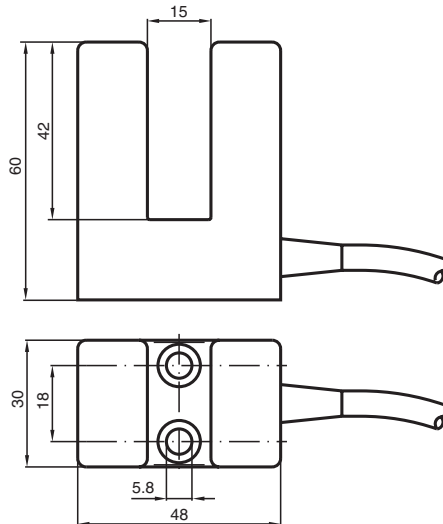
## Inductive slot sensor

### SJ15-WS

- 15 mm slot width
- 2-wire AC



## Dimensions



## Technical Data

### General specifications

Switching function	Normally open (NO)
Output type	Two-wire
Slot width	15 mm
Depth of immersion (lateral)	18.5 ... 20.5 mm
Output polarity	AC
Output type	2-wire

### Nominal ratings

Operating voltage	$U_B$	20 ... 253 V AC
Switching frequency	$f$	0 ... 25 Hz
Hysteresis	$H$	typ. 5%
Voltage drop	$U_d$	Typ. 4 V at 40 ... 500 mA load current Typ. 5 V at 15 ... 40 mA load current Typ. 7 V at 5 ... 15 mA load current
Voltage drop at $I_L$		
Voltage drop $I_L = 200$ mA, switching element on	$U_d$	3.5 V

Release date: 2025-06-05 Date of issue: 2025-06-05 Filename: 003798\_eng.pdf

## Technical Data

Momentary current (20 ms, 0.1 Hz)		max. 4000 mA
Operating current	$I_L$	5 ... 500 mA
Off-state current	$I_r$	≤ 2 mA
<b>Functional safety related parameters</b>		
MTTF <sub>d</sub>		1553 a
Mission Time (T <sub>M</sub> )		20 a
Diagnostic Coverage (DC)		0 %
<b>Compliance with standards and directives</b>		
Standard conformity		
Standards		EN IEC 60947-5-2
<b>Approvals and certificates</b>		
UL approval		cULus Listed, General Purpose
CCC approval		Certified by China Compulsory Certification (CCC)
<b>Ambient conditions</b>		
Ambient temperature		-25 ... 70 °C (-13 ... 158 °F)
<b>Mechanical specifications</b>		
Connection type		cable
Housing material		PBT
Degree of protection		IP67
<b>Cable</b>		
Wire end ferrules		yes
Cable diameter		6 mm ± 0.2 mm
Bending radius		> 10 x cable diameter
Material		PVC
Color		grey
Number of cores		2
Core cross section		0.75 mm <sup>2</sup>
Length	L	2 m
<b>Dimensions</b>		
Height		60 mm
Width		30 mm
Length		48 mm
Note		1) In the temperature range below 0 °C, permissible operating voltage U <sub>b</sub> 80...253 V Safety fuse ≤ 2 A (quick-blow) according to IEC 60127-2 Sheet 1 Recommendation: after a short circuit, check that the device is functioning correctly.

## Connection

