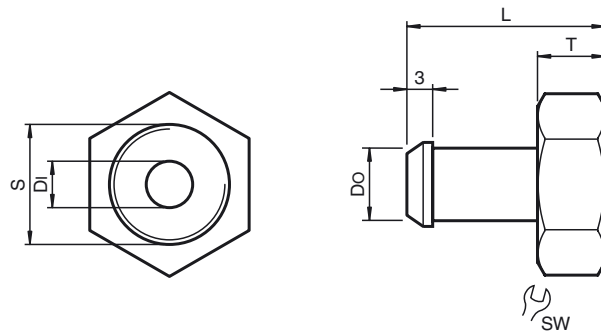


**Model Number****SM 30**

Cable protector

Features

- Cable Protector

Dimensions**Technical data****Mechanical specifications**

Material

Housing

Stainless steel 1.4305 / AISI 303

Seal

NBR

Technical details

Cable protectors protect the connecting cable from physical damage.

		Order code:	SM 8	SM 12	SM 18	SM 30
Dimensions						
Length	L [mm]		20	24	24	24
Thickness	T [mm]		6	8	8	8
Thread	S		M8 x 1	M12 x 1	M18 x 1	M30 x 1.5
Internal diameter	D _i [mm]		7	7	9	12.5
External diameter	D _o [mm]		8	10	10	14
Width across the flats	SW		10	14	19	32