

# Inductive ring sensor

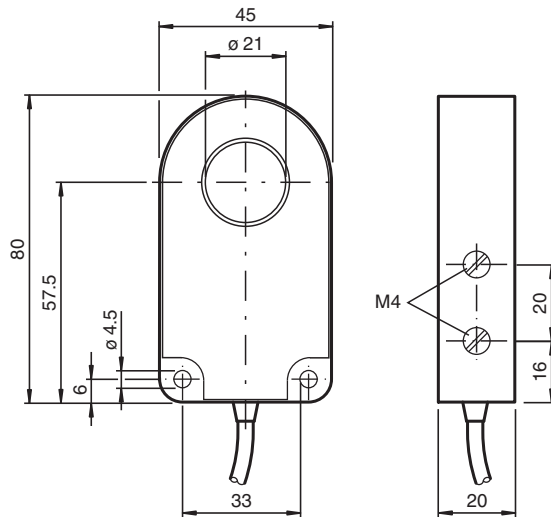
## RJ21-E2



- 21 mm inside diameter
- 3-wire DC



### Dimensions



### Technical Data

General specifications		
Switching function		Normally open (NO)
Output type		PNP
Output polarity		DC
Inside diameter		21 mm
Measuring cylinder		
Diameter		6 mm
Length		12 mm
Material		Steel 1.0711
Output type		3-wire
Nominal ratings		
Operating voltage	$U_B$	10 ... 30 V DC
Switching frequency	f	0 ... 1000 Hz
Hysteresis	H	typ. 5%
Reverse polarity protection		reverse polarity protected

Release date: 2025-02-27 Date of issue: 2025-02-27 Filename: 013004\_eng.pdf

## Technical Data

Short-circuit protection		pulsing
Voltage drop	$U_d$	$\leq 3 \text{ V}$
Operating current	$I_L$	0 ... 200 mA
No-load supply current	$I_0$	$\leq 20 \text{ mA}$
<b>Compliance with standards and directives</b>		
Standard conformity		
Standards		EN IEC 60947-5-2
<b>Approvals and certificates</b>		
UL approval		cULus Listed, General Purpose
<b>Ambient conditions</b>		
Ambient temperature		-25 ... 70 °C (-13 ... 158 °F)
<b>Mechanical specifications</b>		
Connection type		cable
Housing material		PBT
Degree of protection		IP67
Cable		
Wire end ferrules		yes
Cable diameter		4.6 mm $\pm$ 0.2 mm
Bending radius		> 10 x cable diameter
Material		PVC
Color		grey
Number of cores		3
Core cross section		0.34 mm <sup>2</sup>
Length	L	2 m
<b>Dimensions</b>		
Height		80 mm
Width		45 mm
Length		20 mm

## Connection

