

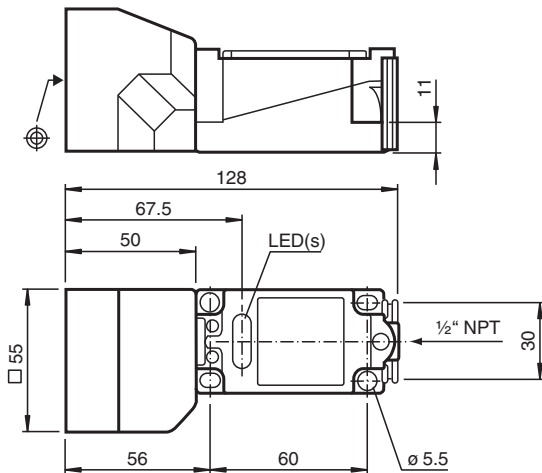


## Inductive sensor NJ40+U4+A

- 4-wire DC
- Surface mount
- Sensing range 40 mm



### Dimensions



### Technical Data

General specifications		
Switching function		complementary
Output type		NPN
Rated operating distance	$s_n$	40 mm
Installation		non-flush
Output polarity		DC
Assured operating distance	$s_a$	0 ... 32.4 mm
Reduction factor $r_{Al}$		0.5
Reduction factor $r_{Cu}$		0.45
Reduction factor $r_{304}$		0.8
Output type		4-wire
Nominal ratings		
Operating voltage	$U_B$	10 ... 60 V
Switching frequency	$f$	0 ... 100 Hz
Hysteresis	$H$	1 ... 10 % typ. 5 %
Reverse polarity protection		yes
Short-circuit protection		yes

Release date: 2025-06-04 Date of issue: 2025-06-04 Filename: 015841\_eng.pdf

## Technical Data

Voltage drop	$U_d$	$\leq 2.8 \text{ V}$
Operating current	$I_L$	0 ... 200 mA
No-load supply current	$I_0$	$\leq 10 \text{ mA}$
Time delay before availability	$t_v$	$\leq 100 \text{ ms}$
Operating voltage indicator		LED, green
Switching state indicator		LED, yellow
<b>Standard conformity</b>		
Standards		IEC / EN 60947-5-2:2004
<b>Approvals and certificates</b>		
UL approval		cULus Listed, General Purpose
CCC approval		Certified by China Compulsory Certification (CCC)
<b>Ambient conditions</b>		
Ambient temperature		-25 ... 70 °C (-13 ... 158 °F)
<b>Mechanical specifications</b>		
Connection type		screw terminals
Information for connection		A maximum of two conductors with the same core cross section may be mounted on one terminal connection! tightening torque 1.2 Nm + 10 %
Core cross section		up to 2.5 mm <sup>2</sup>
Minimum core cross-section		without wire end ferrules 0.5 mm <sup>2</sup> , with connector sleeves 0.34 mm <sup>2</sup>
Maximum core cross-section		without wire end ferrules 2.5 mm <sup>2</sup> , with connector sleeves 1.5 mm <sup>2</sup>
Housing material		PBT/metal
Sensing face		PBT
Degree of protection		IP68
<b>Dimensions</b>		
Height		55 mm
Width		55 mm
Length		128 mm

## Connection

