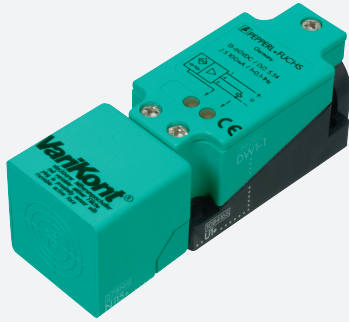


# Inductive rotation speed monitor

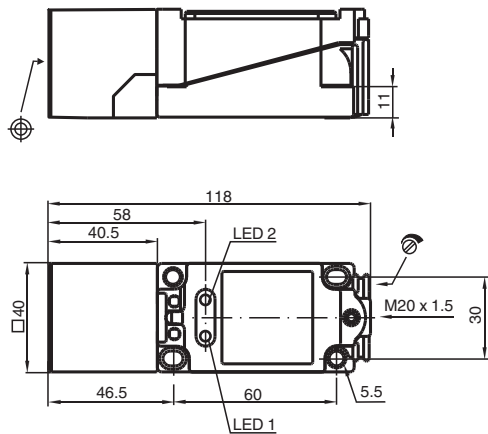
## NJ15+U1+DW1-1



- Rotational speed controller
- 15 mm flush
- Start-up override time = approx. 30 s



### Dimensions



### Technical Data

#### General specifications

Switching function		Normally open (NO)
Output type		PNP
Frequency range		0.1 ... 1 Hz , adjustable
Rated operating distance	$s_n$	15 mm
Installation		flush
Output polarity		DC
Assured operating distance	$s_a$	0 ... 12.15 mm
Reduction factor $r_{AI}$		0.4
Reduction factor $r_{Cu}$		0.3
Reduction factor $r_{304}$		0.85
Output type		3-wire

#### Nominal ratings

Operating voltage	$U_B$	15 ... 60 V DC
Reverse polarity protection		reverse polarity protected
Short-circuit protection		pulsing
Voltage drop	$U_d$	$\leq 2$ V

Release date: 2025-06-04 Date of issue: 2025-06-04 Filename: 015943\_eng.pdf

## Technical Data

Operating current	$I_L$	0 ... 100 mA
No-load supply current	$I_0$	$\leq 25$ mA
Switching state indicator		LED 1: yellow
Damping indicator		LED 2: yellow
<b>Functional safety related parameters</b>		
MTTF <sub>d</sub>		820 a
Mission Time (T <sub>M</sub> )		20 a
Diagnostic Coverage (DC)		0 %
<b>Compliance with standards and directives</b>		
Standard conformity		
Standards		EN IEC 60947-5-2
<b>Approvals and certificates</b>		
UL approval		cULus Listed, General Purpose
CCC approval		Certified by China Compulsory Certification (CCC)
<b>Ambient conditions</b>		
Ambient temperature		-25 ... 70 °C (-13 ... 158 °F)
<b>Mechanical specifications</b>		
Connection type		screw terminals
Information for connection		A maximum of two conductors with the same core cross section may be mounted on one terminal connection! tightening torque 1.2 Nm + 10 %
Core cross section		up to 2.5 mm <sup>2</sup>
Minimum core cross-section		without wire end ferrules 0.5 mm <sup>2</sup> , with connector sleeves 0.34 mm <sup>2</sup>
Maximum core cross-section		without wire end ferrules 2.5 mm <sup>2</sup> , with connector sleeves 1.5 mm <sup>2</sup>
Housing material		PBT
Sensing face		PBT
Degree of protection		IP67
Dimensions		
Height		40 mm
Width		40 mm
Length		118 mm

## Connection

