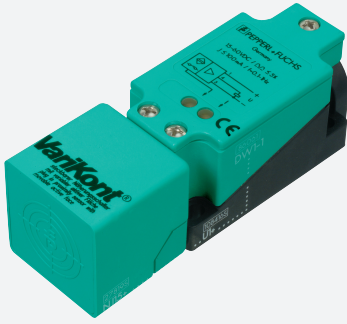


Inductive rotation speed monitor

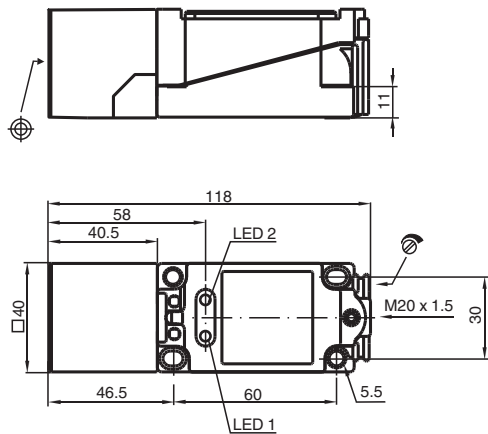
NJ15+U1+DW1-10



- Rotational speed controller
- 15 mm flush
- Start-up override time = approx. 30 s



Dimensions



Technical Data

General specifications		
Switching function		Normally open (NO)
Output type		PNP
Frequency range		1 ... 10 Hz , adjustable
Rated operating distance	s_n	15 mm
Installation		flush
Output polarity		DC
Assured operating distance	s_a	0 ... 12.15 mm
Reduction factor r_{AI}		0.4
Reduction factor r_{Cu}		0.3
Reduction factor r_{304}		0.85
Output type		3-wire
Nominal ratings		
Operating voltage	U_B	15 ... 60 V DC
Reverse polarity protection		reverse polarity protected
Short-circuit protection		pulsing
Voltage drop	U_d	≤ 2 V

Release date: 2025-06-04 Date of issue: 2025-06-04 Filename: 015944_eng.pdf

Technical Data

Operating current	I_L	0 ... 100 mA
No-load supply current	I_0	≤ 25 mA
Switching state indicator		LED 1: yellow
Damping indicator		LED 2: yellow
Functional safety related parameters		
MTTF _d		820 a
Mission Time (T _M)		20 a
Diagnostic Coverage (DC)		0 %
Compliance with standards and directives		
Standard conformity		
Standards		EN IEC 60947-5-2
Approvals and certificates		
UL approval		cULus Listed, General Purpose
CCC approval		Certified by China Compulsory Certification (CCC)
Ambient conditions		
Ambient temperature		-25 ... 70 °C (-13 ... 158 °F)
Mechanical specifications		
Connection type		screw terminals
Information for connection		A maximum of two conductors with the same core cross section may be mounted on one terminal connection! tightening torque 1.2 Nm + 10 %
Core cross section		up to 2.5 mm ²
Minimum core cross-section		without wire end ferrules 0.5 mm ² , with connector sleeves 0.34 mm ²
Maximum core cross-section		without wire end ferrules 2.5 mm ² , with connector sleeves 1.5 mm ²
Housing material		PBT
Sensing face		PBT
Degree of protection		IP67
Dimensions		
Height		40 mm
Width		40 mm
Length		118 mm

Connection

