

## Mounting aid OMH 4-4950

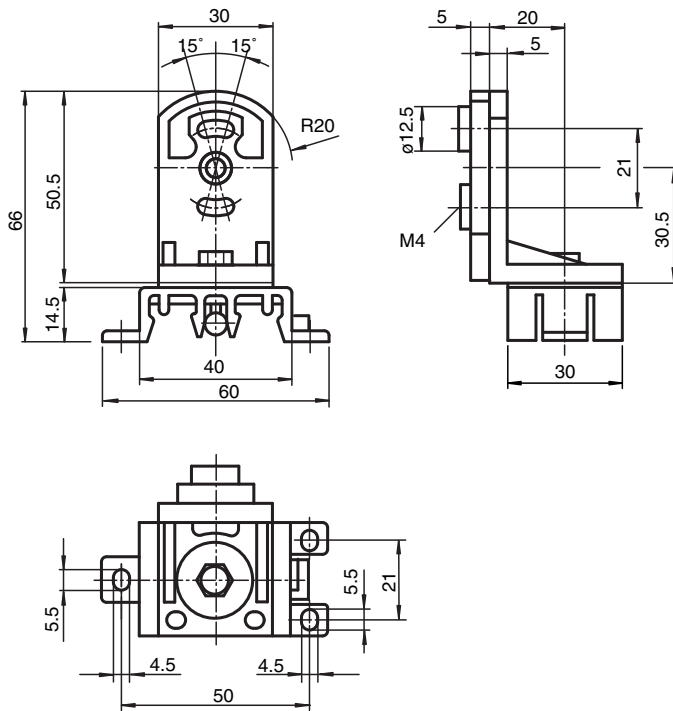


- Simple installation and exact setting
- Infinitely variable, may be inclined by  $\pm 15^\circ$
- Can be infinitely rotated horizontally through  $360^\circ$

Retainer



### Dimensions



### Technical Data

#### Mechanical specifications

Material	plastic
Mass	approx. 50 g
Mounting	Mounting accessories included
<b>Suitable series</b>	
Series	VariKont M