



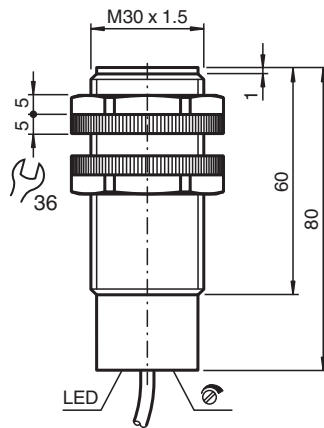
Capacitive sensor

CJ10-30GK-WS

- 10 mm non-flush
- The switching distance can be set over a wide range with the potentiometer



Dimensions



Technical Data

General specifications

Switching function		Normally open (NO)
Output type		Two-wire
Rated operating distance	s_n	10 mm
Installation		non-flush
Output polarity		AC
Assured operating distance	s_a	0 ... 7.2 mm
Output type		2-wire

Nominal ratings

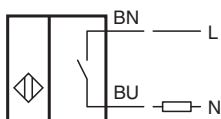
Installation conditions		
A		18 mm
B		10 mm
C		20 mm
F		60 mm
Operating voltage	U_B	20 ... 253 V AC ¹⁾
Switching frequency	f	0 ... 10 Hz
Hysteresis	H	2 ... 10 % typ. 5 %

Release date: 2025-06-11 Date of issue: 2025-06-12 Filename: 020051_eng.pdf

Technical Data

Reverse polarity protection		reverse polarity tolerant
Voltage drop at I_L		
Voltage drop $I_L = 100$ mA, switching element on	U_d	typ. 7 V
Momentary current (20 ms, 0.1 Hz)		0 ... 1200 mA
Rated insulation voltage	U_{BIS}	1500 V
Operating current	I_L	5 ... 200 mA
Lowest operating current	I_m	5 mA
Off-state current	I_r	0.7 ... 1.5 mA typ.
Time delay before availability	t_v	≤ 300 ms
Switching state indicator		LED, yellow
Indicators/operating means		
Potentiometer		sensitivity adjustment
Compliance with standards and directives		
Standard conformity		
Standards		EN IEC 60947-5-2
Approvals and certificates		
UL approval		cULus Listed Load Type: General Purpose Enclosure Type Rating: Type 1
CCC approval		Certified by China Compulsory Certification (CCC)
Ambient conditions		
Ambient temperature		-25 ... 70 °C (-13 ... 158 °F)
Storage temperature		-25 ... 85 °C (-13 ... 185 °F)
Mechanical specifications		
Connection type		cable
Housing material		PBT
Sensing face		PBT
Degree of protection		IP67
Cable		
Wire end ferrules		yes
Cable diameter		6 mm ± 0.2 mm
Bending radius		> 10 x cable diameter
Material		PVC
Color		grey
Number of cores		2
Core cross section		0.75 mm ²
Length	L	2 m
Dimensions		
Length		80 mm
Diameter		30 mm
Note		1) In the temperature range below 0 °C, permissible operating voltage U_b 80...253 V Safety fuse ≤ 0.8 A (quick-blow) according to IEC 60127-2 Sheet 1 Recommendation: after a short circuit, check that the device is functioning correctly.

Connection Assignment



Installation Conditions

