

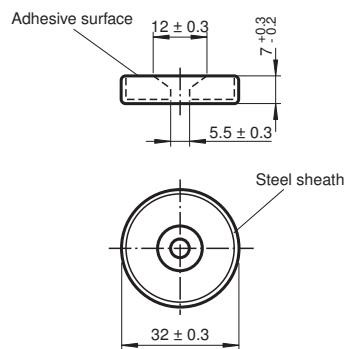
Magnet

DM 25-32-07



Permanent magnet for magnetic field sensors

Dimensions



Technical Data

Ambient conditions	
Ambient temperature	-40 ... 85 °C (-40 ... 185 °F)
Mechanical specifications	
Material	BaFe with steel jacket
Dimensions	Height: 7 mm Diameter: 32 mm

Release date: 2020-03-20 Date of issue: 2020-06-29 Filename: 020174_eng.pdf

Technical Features

The hard ferrite magnet consists of a steel casing, which is open towards the adhesive surface and equipped with a barium ferrite magnet (BaFe). The magnetisation already takes place during the shaping and is thus in imposed axial direction (anisotropic). The magnetic clamp disk can be screwed onto a surface through a centre hole with a countersunk screw to save space. For fastening, screw in a M5 countersunk screw made of unmagnetic, non-conducting material, e. g. V2A or brass from the direction of the adhesive surface.

Characteristic		Value	
Power product	(W x H) max.	12	kJ/m^3
Remanence	B_r	245	mT
Coercive field strength	JH_C	207	kA/m
Coercive field strength	BH_C	175	kA/m
Relative remanent permeability	$\mu_0 H_r$	1.4	mT/ kA/m
Temperature coefficient of the remanence	α	-0,20	%/°C
Density	r	3.7	g/cm^3