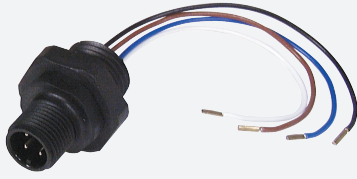


Receptacles

V1-PG13,5-Y21270

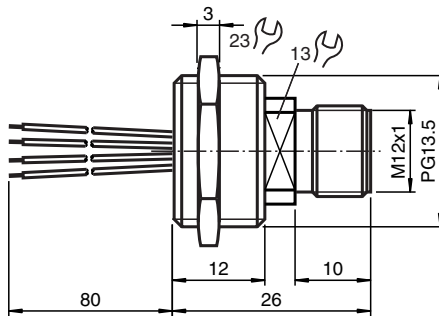


- Plastic version
- Front/screw mounting
- M12 plug can be mounted in any position

Receptacles, M12/PG13.5, 4-pin; plastic version



Dimensions



Technical Data

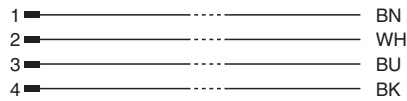
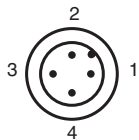
General specifications			
Connector 1			
Connection		plug	
Construction type		M12	
Style		straight	
Locking		screw connection	
Number of pins		4	
Coding		A-coded	
Connector 2			
Connection		cable end	
Electrical specifications			
Operating voltage	U_B	max. 240 V AC/DC	
Operating current	I_B	max. 4 A	
Conformity			
Degree of protection		EN 60529	
Plug connection		connector M12 x 1 : IEC 61076-2-101	
Ambient conditions			

Release date: 2025-01-10 Date of issue: 2025-01-10 Filename: 021270_eng.pdf

Technical Data

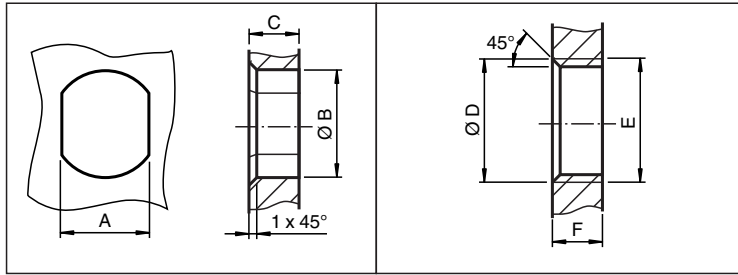
Ambient temperature	-25 ... 80 °C (-13 ... 176 °F)	
Mechanical specifications		
Degree of protection	IP67 when sealing with O-Ring	
Connection	Single strand leads with connector sleeves	
Cable		
Number of cores	4	
Core cross section	0.25 mm ²	
Cores color	Core 1: brown Core 2: white Core 3: blue Core 4: black	
Length	L	80 mm
Installation	Front mounting PG13.5	
Mass	19 g	
Material		
Plug connector		
Screw connection	plastic	
Body	plastic	
Seal	NBR	
Contact surface	gold plated (Au)	
Cable		
Core insulation	PVC	
General information		
Scope of delivery	locknut included	

Connection Assignment



Release date: 2025-01-10 Date of issue: 2025-01-10 Filename: 021270_eng.pdf

Mounting



	A	B	C	D	E	F
M8	7.1 ^{+0.1}	Ø 8.2 ^{+0.1}	2 - 4 mm	-	M8x0.5	2 - 4 mm
M12	11 ^{+0.1}	Ø 12.2 ^{+0.1}	< 4 mm	-	M12x1	< 4.5 mm
M16	13.5 ^{+0.1}	Ø 16.1	< 4.5 mm	Ø 17 ^{+0.2}	M16x1.5	> 2.5 mm
M20	13.5 ^{+0.1}	Ø 20.1	-	Ø 20 ^{+0.2}	M20x1.5	< 6 mm
PG9	13.5 ^{+0.1}	Ø 15.3 ^{+0.1}	< 4.5 mm	Ø 16	PG9	> 2.5 mm
PG13.5	18.8 ^{+0.1}	Ø 20.5 ^{+0.1}	-	Ø 22 ^{±0.1}	PG13.5	-

Release date: 2025-01-10 Date of issue: 2025-01-10 Filename: 021270_eng.pdf