



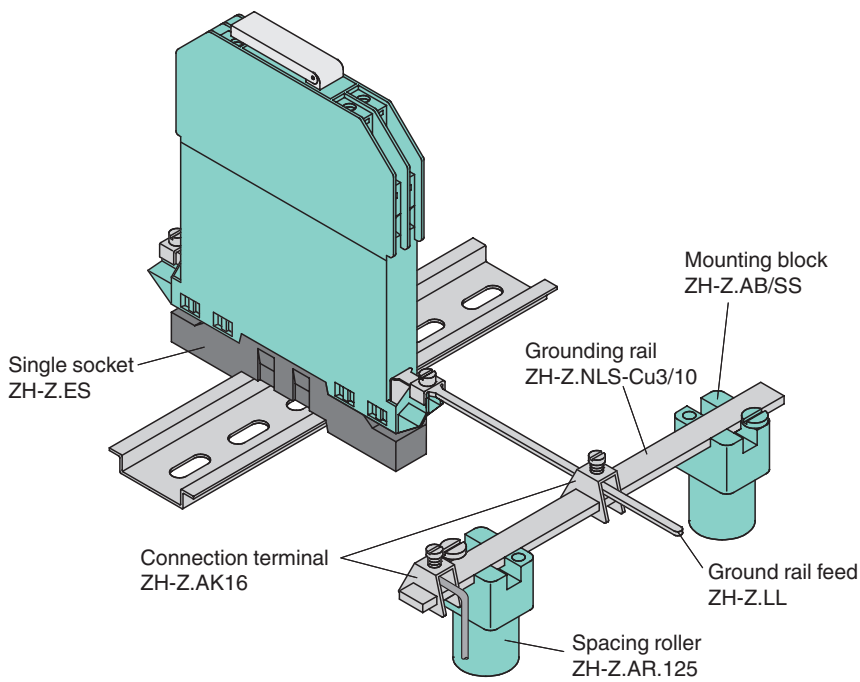
Single Socket

ZH-Z.ES

- Accessory Zener Barriers
- For individual grounding through insulated mounting

Single Socket

Assembly



Technical Data

Mechanical specifications

Dimensions	12.5 x 91.5 x 13 mm (0.49 x 3.6 x 0.51 inch)
Mounting	DIN rail mounting