



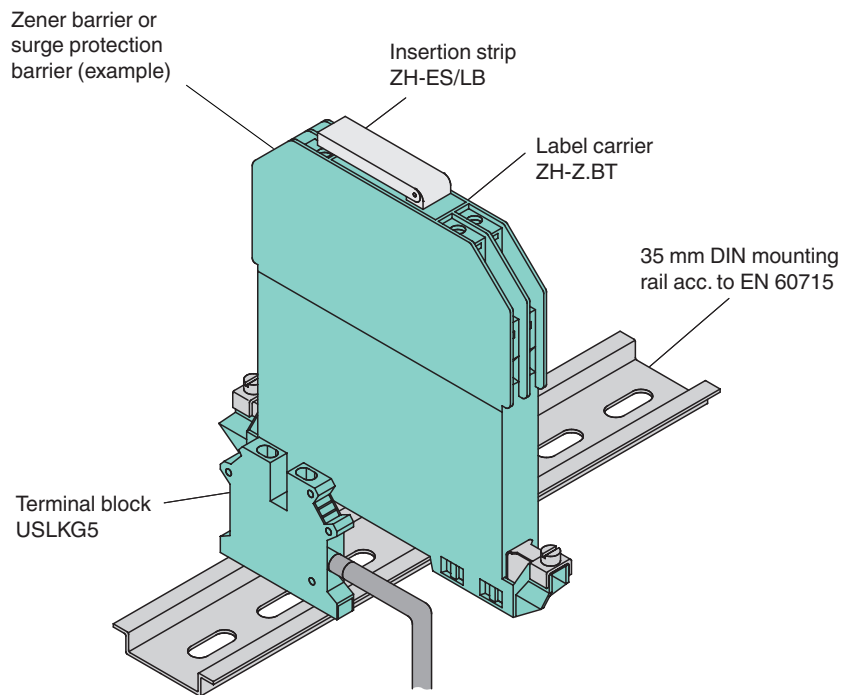
Label Carrier

ZH-Z.BT

- Accessory Zener Barriers
- For equipotential bonding via the standard rail

Label Carrier

Assembly



Release date: 2022-10-19 Date of issue: 2022-10-19 Filename: 033209_eng.pdf