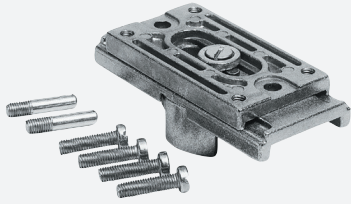


# Mounting aid MH 04-2681F



- Suitable for VariKont, +U1+ and +U9\* sensors
- Fixing screws for VariKont included in delivery

Mounting aid for VariKont, +U1+ and +U9\*

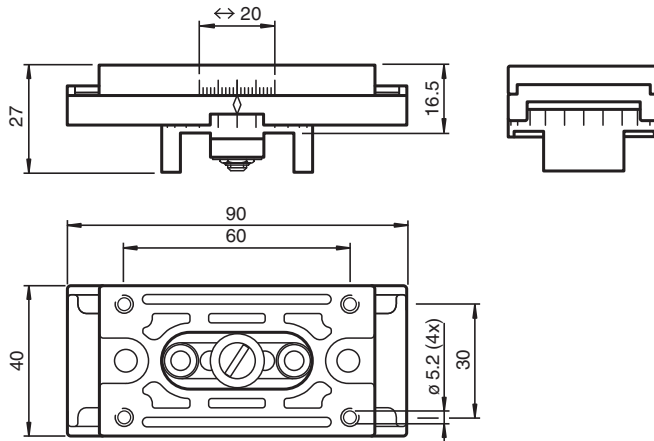
## Function

The mounting bracket type 04-2681 simplifies the adjustment of sensors of the model line VariKont® and the series +U1+ and +U9\* according to DIN 43694, EN 50025 or EN 50037.

Fitting is simple using the well-tried and tested C section rail (e.g. NIEDAX GmbH) according to EN 50024 (15 mm x 30 mm x 1.5 mm). For existing installations, the mounting bracket is suitable for the C section rail according to the expiring DIN 43662 (15 mm x 30 mm x 2 mm). Instead of the C section rail, two-point fitting is possible. The respective drill holes are accessible via the middle guiding slot. Screws M5 x 16 mm can be used.

Large adjusting ranges in x and y direction and the 360° turning range simplify and reduce the mounting and adjustment work. The selected position can be adjusted by tightening the sensor mounting screws (included in the delivery package).

## Dimensions



## Technical Data

### Standard conformity

Standards IEC 68-2-6, IEC 68-2-27

### Ambient conditions

Shock resistance  $b < 30 \text{ g}$ ,  $T < 11 \text{ ms}$

Vibration resistance  $f < 55 \text{ Hz}$ ,  $a < 1 \text{ mm}$

### Mechanical specifications

Material Chrome coated diecast zinc

Mass approx. 270 g

Dimensions 90 mm x 40 mm x 28 mm (with 2-point fixing)