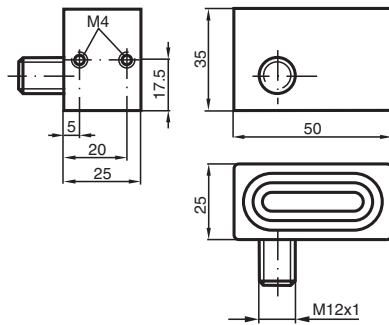


# Inductive sensor

## FJ7-A2-V1-Y33912



### Dimensions



### Technical Data

#### General specifications

Switching function		complementary
Output type		PNP
Rated operating distance	$s_n$	7 mm
Installation		flush
Output polarity		DC
Assured operating distance	$s_a$	0 ... 5.67 mm
Reduction factor $r_{Al}$		0.4
Reduction factor $r_{Cu}$		0.3
Reduction factor $r_{304}$		0.85
Output type		4-wire

#### Nominal ratings

Operating voltage	$U_B$	10 ... 30 V
Switching frequency	$f$	0 ... 200 Hz
Hysteresis	$H$	typ. 3 %
Reverse polarity protection		reverse polarity protected
Short-circuit protection		pulsing
Voltage drop	$U_d$	$\leq 3$ V
Operating current	$I_L$	0 ... 200 mA
No-load supply current	$I_0$	$\leq 20$ mA
Time delay before availability	$t_v$	$\leq 20$ ms

#### Compliance with standards and directives

Standard conformity		
Standards		EN IEC 60947-5-2

#### Ambient conditions

Ambient temperature		-25 ... 70 °C (-13 ... 158 °F)
---------------------	--	--------------------------------

#### Mechanical specifications

Connection type		Connector plug
-----------------	--	----------------

Release date: 2025-03-12 Date of issue: 2025-03-12 Filename: 033912\_eng.pdf

## Technical Data

Housing material	brass, zinc plated
Sensing face	POM
Degree of protection	IP67
Connector	
Threading	M12 x 1
Number of pins	4
Dimensions	
Height	25 mm
Width	50 mm
Length	35 mm

## Connection

