

# Inductive sensor

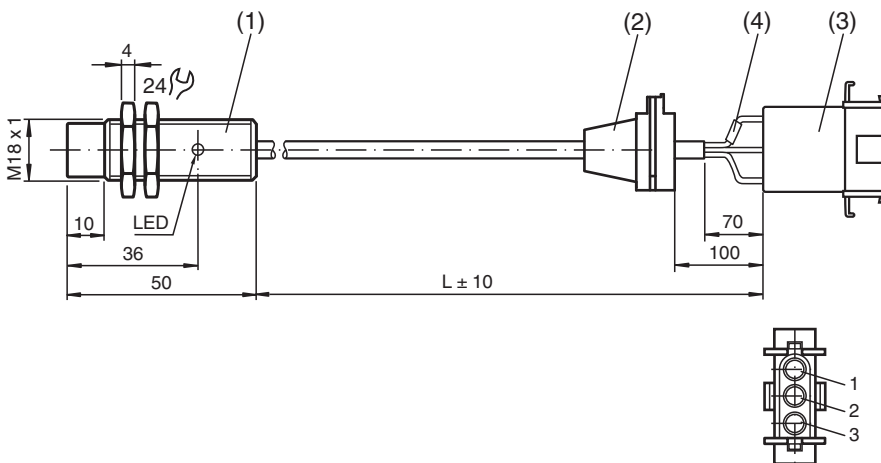
## NJ8-18GM50-E-Y33964



- Comfort series
- 8 mm non-flush



### Dimensions



### Technical Data

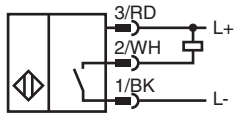
General specifications		
Switching function		Normally open (NO)
Output type		NPN
Rated operating distance	$s_n$	8 mm
Installation		non-flush
Output polarity		DC
Assured operating distance	$s_a$	0 ... 6.48 mm
Actual operating distance	$s_r$	7.2 ... 8.8 mm typ. 8 mm
Reduction factor $r_{AI}$		0.42
Reduction factor $r_{Cu}$		0.4
Reduction factor $r_{304}$		0.72
Output type		3-wire
Nominal ratings		
Installation conditions		
A		10 mm
B		54 mm
C		24 mm

Release date: 2024-12-10 Date of issue: 2024-12-11 Filename: 033964\_eng.pdf

## Technical Data

Operating voltage	$U_B$	10 ... 60 V
Switching frequency	f	0 ... 1000 Hz
Hysteresis	H	1 ... 15 % typ. 7.5 %
Reverse polarity protection		reverse polarity protected
Short-circuit protection		pulsing
Voltage drop	$U_d$	$\leq 3$ V
Voltage drop at $I_L$		
Voltage drop $I_L = 100$ mA, switching element on	$U_d$	1.5 ... 2.5 V typ. 1.9 V
Operating current	$I_L$	0 ... 200 mA
Lowest operating current	$I_m$	0 mA
Off-state current	$I_r$	0 ... 0.5 mA typ. 0.01 mA
Off-state current $T_U = 40$ °C, switching element off		$\leq 100$ $\mu$ A
No-load supply current	$I_0$	$\leq 9$ mA
Time delay before availability	$t_v$	approx. 20 ms
Switching state indicator		LED, yellow
<b>Compliance with standards and directives</b>		
Standard conformity		
Standards		EN IEC 60947-5-2
<b>Approvals and certificates</b>		
UL approval		cULus Listed, General Purpose
CCC approval		Certified by China Compulsory Certification (CCC)
<b>Ambient conditions</b>		
Ambient temperature		-25 ... 70 °C (-13 ... 158 °F)
Storage temperature		-40 ... 85 °C (-40 ... 185 °F)
<b>Mechanical specifications</b>		
Connection type		fixed cable with plug
Housing material		Stainless steel 1.4305 / AISI 303
Sensing face		PBT
Degree of protection		IP67
Connector		
Number of pins		3
Connection assembly		AMP housing 1-350347-1 AMP contacts 0-925715-2 Cable support sleeve: Schlemmer, 7800584
<b>Cable</b>		
Cable diameter		6.4 mm $\pm$ 0.2 mm
Bending radius		> 10 x cable diameter
Material		PVC
Color		grey
Number of cores		3
Core cross section		0.75 mm <sup>2</sup>
Length	L	1.85 m
<b>Dimensions</b>		
Length		50 mm
Diameter		18 mm

## Connection



Release date: 2024-12-10 Date of issue: 2024-12-11 Filename: 033964\_eng.pdf