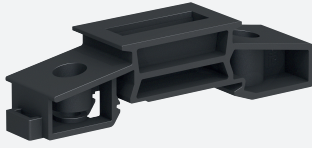


Mounting Socket

K-MS



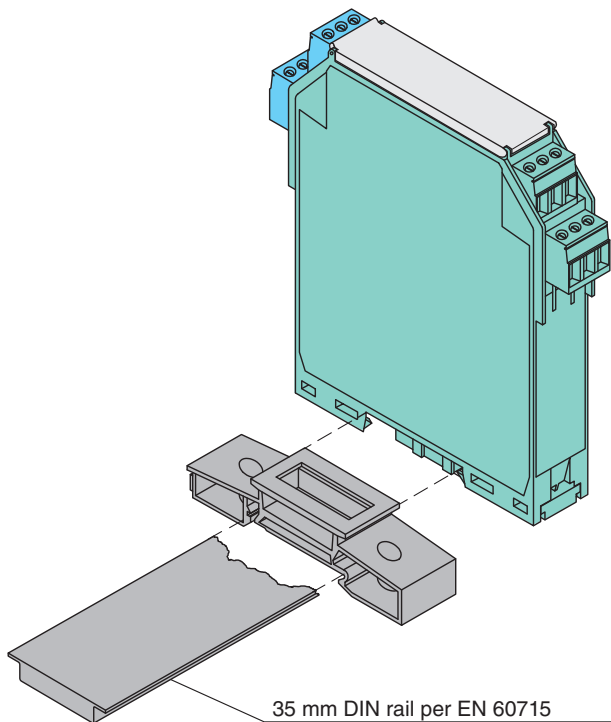
- 1-channel
- KF module DIN rail isolation block
- Snaps on to 35 mm DIN rail acc. to EN 60715
- Easy panel mounting

Mounting Socket

Function

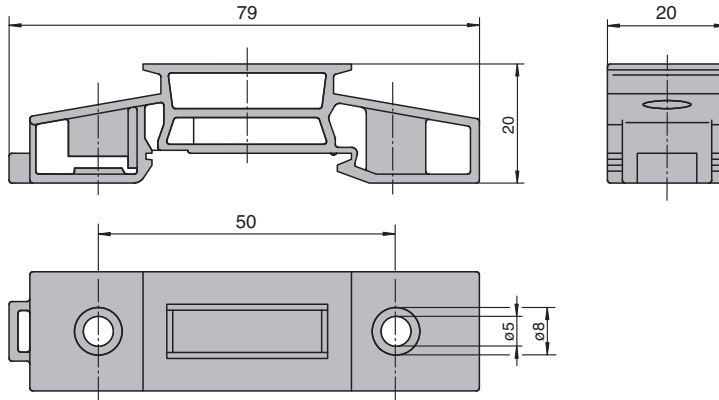
This mounting socket enables the "snap-on" mounting of K devices on a 35 mm DIN rail when there is not enough space to install the Power Rail device contacts. Sockets can be mounted in rows, so mounting can be accomplished with a minimum loss of space. The socket may also be used to cover unused mounting positions on the Power Rail.

Assembly



Release date: 2020-09-23 Date of issue: 2020-09-23 Filename: 034302_eng.pdf

Dimensions



Technical Data

Mechanical specifications

Material	Polyamide PA 66
Mass	approx. 30 g
Dimensions	20 x 20 x 79 mm (0.8 x 0.8 x 3.1 inch)
Mounting	on 35 mm DIN mounting rail acc. to EN 60715:2001