

## Place Holder Barrier KFD0-LGH

- K-System place holder module
- Housing width 20 mm
- Marshalling for field and control side circuits
- Configurable via plug-in jumpers

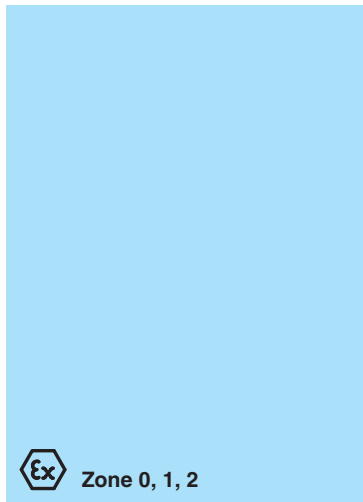
Place holder barrier for KF modules



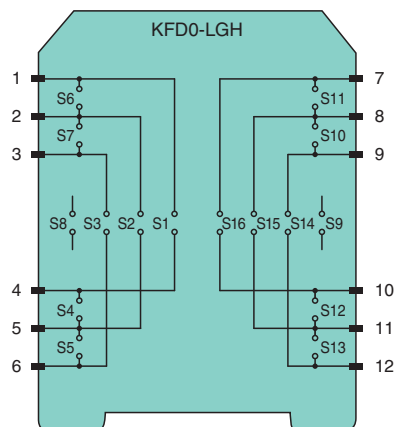
### Function

The device is used in cable distribution cables. The device improves accessibility and compactness within a switch cabinet. Different configurations are possible by using wire jumpers. The wire jumpers are located in the device. To configure the device, you have to open the device.

### Connection



Zone 0, 1, 2



Zone 2

### Technical Data

#### Electrical specifications

Rated voltage	$U_r$	$\leq 50 \text{ V}$
Rated current	$I_r$	$\leq 2 \text{ A}$

#### Indicators/settings

Configuration	via internal wire jumpers
Labeling	space for labeling at the front

#### Conformity

Degree of protection	IEC 60529
----------------------	-----------

#### Ambient conditions

Ambient temperature	$-20 \dots 60 \text{ }^\circ\text{C}$ ( $-4 \dots 140 \text{ }^\circ\text{F}$ )
---------------------	---

#### Mechanical specifications

Degree of protection	IP20
----------------------	------

## Technical Data

Connection	screw terminals
Mass	approx. 120 g
Dimensions	20 x 93 x 115 mm (0.8 x 3.7 x 4.5 inch) (W x H x D) , housing type B1
Mounting	on 35 mm DIN mounting rail acc. to EN 60715:2001
<b>Data for application in connection with hazardous areas</b>	
Certificate	PF 08 CERT 1214 X
Marking	⊕ II 3G Ex nA IIC T4 Gc
Directive conformity	
Directive 2014/34/EU	EN 60079-0:2012+A11:2013 , EN 60079-15:2010
<b>General information</b>	
Supplementary information	Observe the certificates, declarations of conformity, instruction manuals, and manuals where applicable. For information see <a href="http://www.pepperl-fuchs.com">www.pepperl-fuchs.com</a> .

## Assembly

Front view

