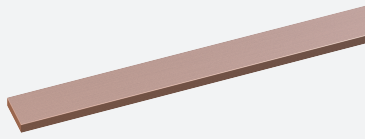


Grounding Rail

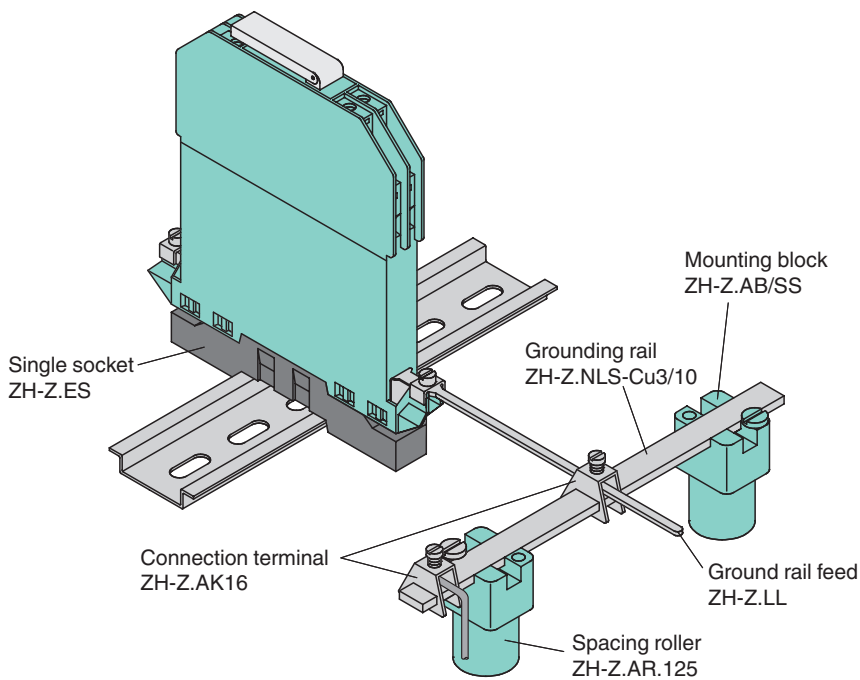
ZH-Z.NLS-Cu3/10



- Accessory Zener Barriers
- Accessory Surge Protection
- For individual grounding through insulated mounting

Grounding Rail

Assembly



Technical Data

Mechanical specifications

Material	copper Cu3/10
----------	---------------

Release date: 2022-10-19 Date of issue: 2022-10-19 Filename: 034387_eng.pdf