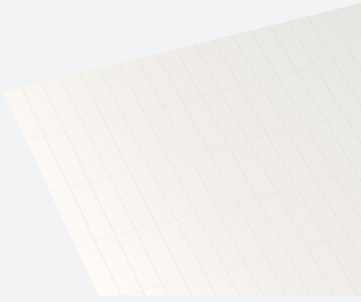


Insertion Strip

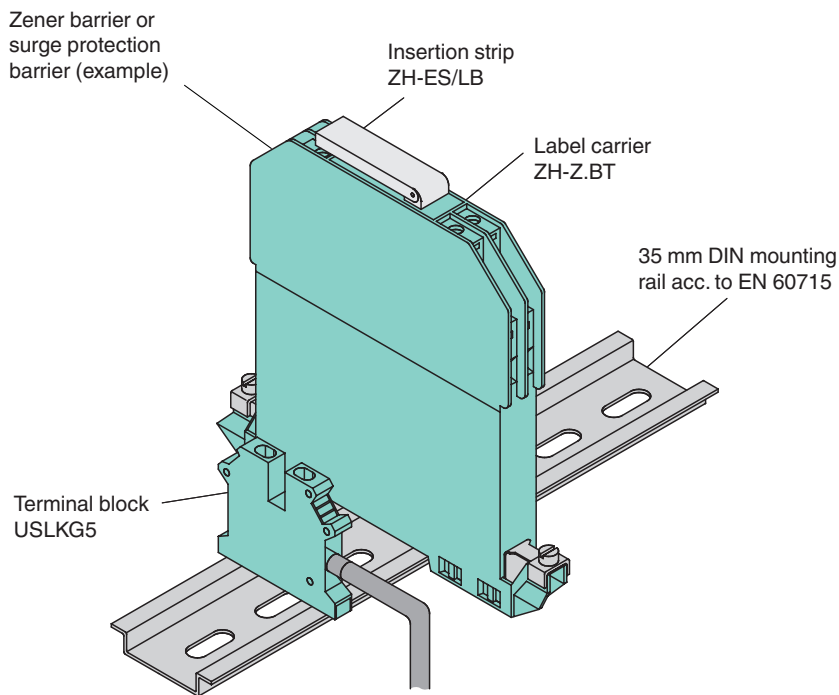
ZH-ES/LB



- Accessory Zener Barriers
- For equipotential bonding via the standard rail

Insertion Strip

Assembly



Technical Data

Mechanical specifications

Material	cardboard
Dimensions	25 pieces, perforated, labeling field 29 x 8 mm (1.14 x 0.3 inch)

Release date: 2022-10-19 Date of issue: 2022-10-19 Filename: 035846_eng.pdf