

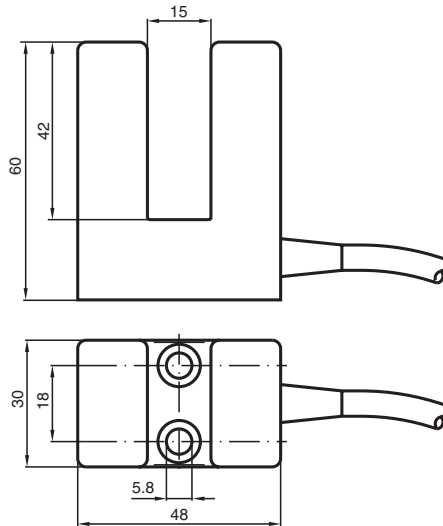
Inductive slot sensor

SJ15-E-Y37062

- 15 mm slot width
- 3-wire DC



Dimensions



Technical Data

General specifications

Switching function	Normally open (NO)
Output type	NPN
Slot width	15 mm
Depth of immersion (lateral)	17 ... 20 mm
Output polarity	DC
Output type	3-wire

Nominal ratings

Operating voltage	U_B	10 ... 30 V DC
Switching frequency	f	0 ... 500 Hz
Reverse polarity protection		reverse polarity protected
Short-circuit protection		pulsing
Voltage drop	U_d	≤ 3 V
Operating current	I_L	0 ... 200 mA
No-load supply current	I_0	≤ 20 mA

Compliance with standards and directives

Release date: 2024-05-27 Date of issue: 2024-05-29 Filename: 037062_eng.pdf

Technical Data

Standard conformity		
Standards	EN IEC 60947-5-2	
Approvals and certificates		
UL approval	cULus Listed, General Purpose	
CCC approval	CCC approval / marking not required for products rated ≤ 36 V	
Ambient conditions		
Ambient temperature	-25 ... 70 °C (-13 ... 158 °F)	
Mechanical specifications		
Connection type	cable	
Housing material	PBT	
Degree of protection	IP67	
Cable		
Wire end ferrules	yes	
Cable diameter	6.4 mm \pm 0.2 mm	
Bending radius	> 10 x cable diameter	
Material	PVC	
Color	Gray	
Number of cores	3	
Core cross section	0.75 mm ²	
Length	L	200 mm
Mass	111 g	
Dimensions		
Height	60 mm	
Width	30 mm	
Length	48 mm	

Connection

