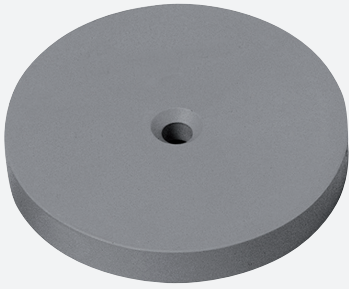


# Flat housing

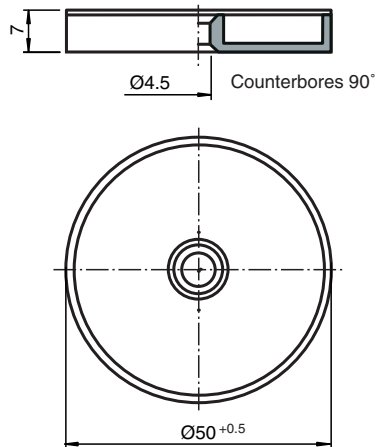
## IPZ-MH50



- Suitable as distance retainer for code or data carrier IDENT-I System P und System V for mounting on metal

Flat housing

### Dimensions



### Technical Data

#### Ambient conditions

Storage temperature -40 ... 85 °C (-40 ... 185 °F)

#### Mechanical specifications

Material

Housing

PBT

Release date: 2020-03-20 Date of issue: 2020-03-27 Filename: 042859\_eng.pdf