

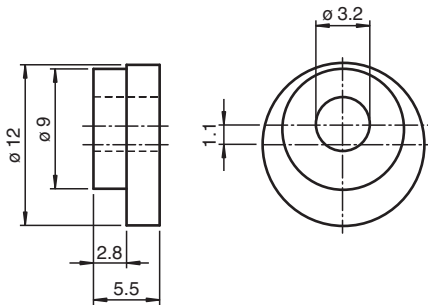
Synchro clamping element

9310-3



Synchro clamping element

Dimensions



Technical Data

General information

Scope of delivery 3 item(s)

Release date: 2022-12-07 Date of issue: 2022-12-12 Filename: 045028_eng.pdf