

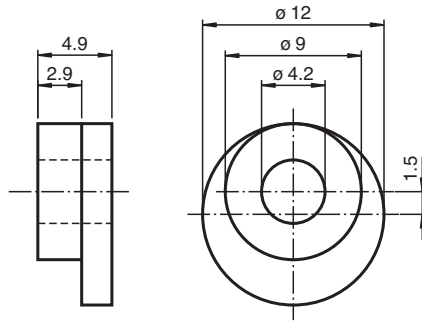


Mounting set

9311

Mounting set for the mounting bracket 9300

Dimensions




Technical Data

General information

Scope of delivery	<ul style="list-style-type: none"> 4 screws M4 x 12 3 screws M4 x 10 7 washers 4.3 mm 3 Synchro clamping element 3 cylinder head screws M4 x 35 3 hexagon nuts M4
-------------------	---

Matching System Components

	9300	Mounting bracket for servo flange
---	-------------	-----------------------------------