



Model number

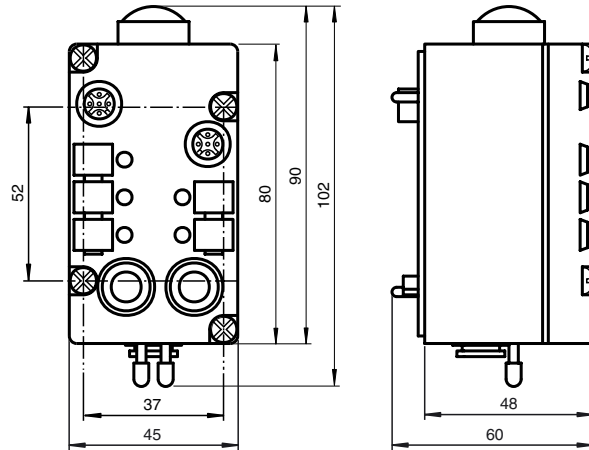
VAA-2EA-G1-ZE/P-S

Pneumatic module
2 inputs/2 pneumatic outputs

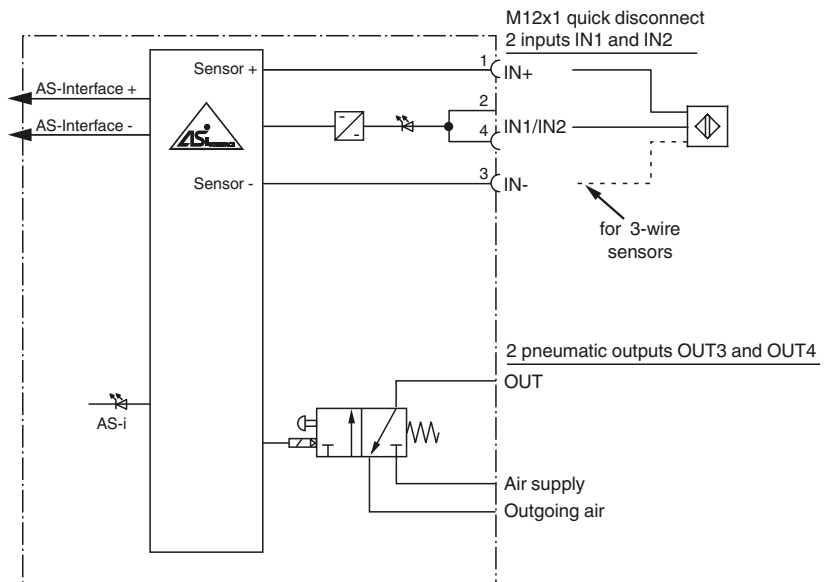
Features

- AS-Interface certificate
- Degree of protection IP65
- Flat or round cable connection (via standardized EMS base, not included with delivery)
- Cable piercing method for flat cable
- Inputs for 2- and 3-wire sensors
- Function display for bus, inputs and outputs
- Direct connection of pneumatic cylinders

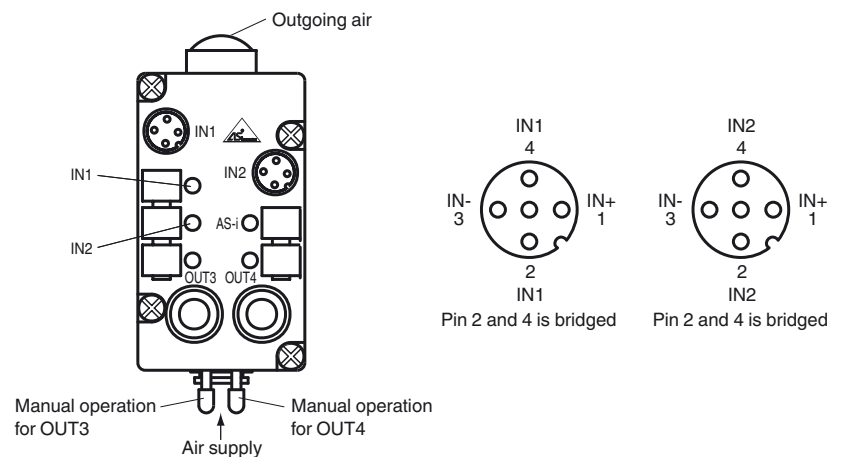
Dimensions



Electrical connection



Indicating / Operating means



ase date: 2020-02-06 11:42 Date of issue: 2020-02-06 048157_eng.xml

Technical data**General specifications**

Slave type Standard slave

Indicators/operating means

LED AS-i AS-Interface voltage; LED green
 LED IN switching state (input); 2 LED yellow
 LED OUT Switching state (output); 2 LED yellow

Electrical specifications

Rated operating voltage U_e 26.5 ... 31.6 V from AS-Interface
 Rated operating current I_e ≤ 45 mA (without sensors)

Input

Number/Type 2 inputs for 2- or 3-wire sensors (PNP), DC
 Supply from AS-Interface
 Current loading capacity ≤ 100 mA, short-circuit protected
 Switching point OFF: ≤ 1.5 mA
 ON: ≥ 5 mA, ≥ 10 V

Output

Number/Type 2 pneumatic outputs with separated 3/2-way valves

Pneumatic output

Venting guide Sinter filter
 Compressed air 2 ... 8 bar, filtered (5 µm), oiled or unoiled compressed air
 Air throughput 400 l/min
 Valve cross-section 5 mm

Directive conformity

Electromagnetic compatibility
 Directive 2014/30/EU EN 62026-2:2013

Standard conformity

Degree of protection EN 60529:2000
 AS-Interface EN 62026-2:2013

Programming instructions

Profile S-3.F
 IO code 3
 ID code F
 ID1 code F
 ID2 code F

Data bits (function via AS-Interface)

	input	output
D0	IN1	-
D1	IN2	-
D2	-	OUT3
D3	-	OUT4

Parameter bits (programmable via AS-i)

function	
P0	not used
P1	not used
P2	not used
P3	not used

Ambient conditions

Ambient temperature 0 ... 55 °C (32 ... 131 °F)
 Storage temperature -20 ... 55 °C (-4 ... 131 °F)

Mechanical specifications

Degree of protection IP65 according to EN 60529
 Connection cable piercing method or terminals
 flat cable or standard round cable
 inputs: M12 x 1 quick disconnect
 outputs: plug-in hose connector (8 mm)
 Mass approx. 200 g
 Mounting DIN rail or screw mounting

Function

The VAA-2EA-G1-ZE/P-S module has 2 inputs for 2- or 3-wire sensors and 2 pneumatic outputs with a high air throughput rate for direct control of pneumatic drives in the field. Two separate 3/2-way valves are integrated in the module. The valve as well as the sensors connected to the module are supplied via the bus cable.

Sensors are connected to the module with a M12 x 1 quick disconnect, and standard hose plug connectors (LEGRIS LF 3000, 8 mm) connect the outputs to the pneumatic drive.

Various bases are available for the module. Use the U-G1F base to connect to the AS-Interface flat cable, and use the U-G1P base to connect to the round cable.

The output modules must often be mounted in series with the pneumatic module. The outputs of the output modules are supplied externally with power. When this power is transferred through a flat cable, the power cable must be installed in the base of the pneumatic module. The U-G1FF base should be used in this case. The VAA-2EA-G1-ZE/P-S uses the AS-Interface cable instead of the power cable.

Advice:

Program slave address before installation (preadjust to 0).

Medium: filtered (5 µm), oiled or unoiled compressed air (2 to 8 bar).

Warning:

Hazardous voltage can cause electrical shock and burns. Disconnect power before proceeding with any work on this equipment.

Accessories**VBP-HH1-V3.0-KIT**

AS-Interface Handheld with accessory

VBP-HH1-V3.0

AS-Interface Handheld

Matching system components**U-G1F**

AS-Interface module mounting base for connection to flat cable (AS-Interface)

U-G1P

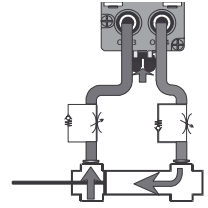
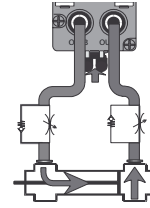
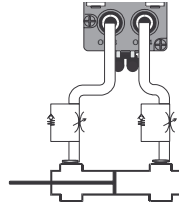
AS-Interface module mounting base for connection to round cable (AS-Interface)

U-G1FA

AS-Interface module mounting base with addressing jack for connection to flat cable (AS-Interface)

Notes

Examples for functions of the AS-Interface Airbox



ase date: 2020-02-06 11:42 Date of issue: 2020-02-06 048157_eng.xml