



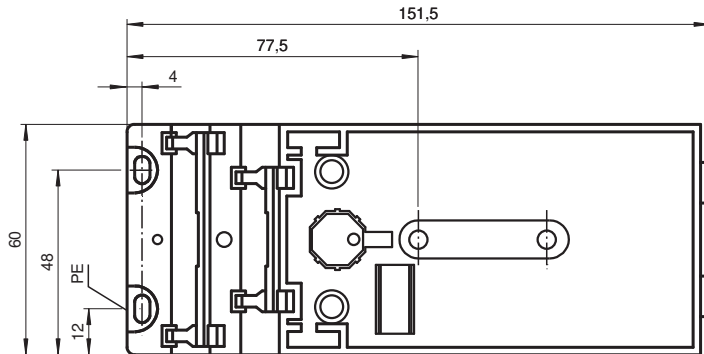
## AS-Interface module mounting base U-G2FF

AS-Interface module mounting base for connection to flat cable (AS-Interface and external auxiliary power)

### Function

The base U-G1PP allows to connect slaves with additional supply (EEMS) to ASInterface. It has one connection type to AS-Interface and an other to the auxiliary power, which are not interconnected. The cable bushings are designed for round cables, they can be connected by screw terminals.

### Dimensions



### Technical Data

<b>Ambient conditions</b>	
Ambient temperature	-25 ... 60 °C (-13 ... 140 °F)
Storage temperature	-25 ... 85 °C (-13 ... 185 °F)
<b>Mechanical specifications</b>	
Degree of protection	IP67 according to EN 60529 (only in connection with module or cover)
Connection	AS-Interface flat cable
Material	
Housing	PBT
Dimensions	about 80, 45, 34 mm (L, W, H)

## Connection

Do not connect inputs and outputs, which are supplied via the module from AS-interface or via auxiliary power, with power supply and signal circuits with external potentials.