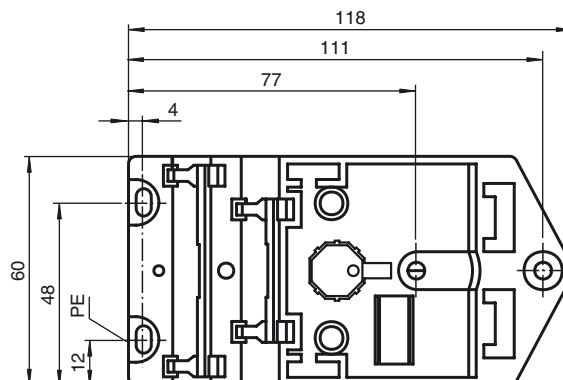




Dimensions



Model number

U-G3FF

AS-Interface module mounting base for connection to flat cable (AS-Interface and external auxiliary power)

Function

The U-G3FF base is used for the connection of the G2 modules with small design to AS-Interface. In case of mounting the module the inserted flat cables are pressed into the contact prongs of the module and connected. For some modules this upper part establishes the connection to earth.

Technical data

Ambient conditions

Ambient temperature	-25 ... 60 °C (-13 ... 140 °F)
Storage temperature	-40 ... 85 °C (-40 ... 185 °F)

Mechanical specifications

Protection degree	IP67 according to EN 60529 (only in connection with module or cover)
Connection	AS-Interface flat cable
Dimensions	about 119, 60, 10 mm (L, W, H)

Matching system components**VBA-4E-G2-ZAJ-Y241077**

G2 flat module
4 inputs (PNP)

VBA-4E-G2-ZA

G2 flat module
4 inputs (PNP)

VBA-4E-G2-ZA0

G2 flat module
4 inputs (NPN)

VBA-2E2A-G2-ZA/EA2

G2 flat module
2 inputs (PNP) and 2 electronic outputs

VBA-2E2A-G2-ZEJ/XE2J

G2 flat module
2 inputs (PNP) and 2 electronic outputs

VBA-2E2A-G2-ZA0/EA0

G2 flat module
2 inputs (NPN) and 2 electronic outputs

VBA-2E2A-G2-ZE/E2

G2 flat module
2 inputs/2 outputs

VAZ-2T5-G2

Splitter box AS-Interface and auxiliary
voltage to 5 x M12 round connector

VAA-4E-G2-ZA

G2 flat module
4 inputs (PNP)

VAA-4E-G2-ZA0

G2 flat module
4 inputs (NPN)

VAA-4A-G2-EA2

G2 flat module
4 electronic outputs (NPN)

VAA-2EA-G2-ZA/EA2

G2 flat module
2 inputs (PNP) and 2 electronic outputs

VAA-2E2A-G2-S/EA2

G2 safety module
2 safety-related inputs and
2 conventional electronic outputs

VAA-2E-G2-S

G2 safety module
2 safety-related inputs

VAA-4A-G2-EA0

G2 flat module
4 electronic outputs (NPN)

VAA-4A-G2-E2

G2 flat module
4 electronic outputs (PNP)

VAA-4E-G2-ZE0

G2 flat module
4 inputs (NPN)

VAA-4E-G2-ZE

G2 flat module
4 inputs (PNP)

VAA-4E4A-G2-ZE-LG-Y188116

Matching system components

G2 flat module

4 inputs (PNP) with logic function

VAA-2EA-G2-ZA0/EA0

G2 flat module

2 inputs (NPN) and 2 electronic outputs

VAA-2EA-G2-ZE0/E0

G2 flat module

2 inputs/2 outputs

VAA-2*EA-G2-ZE/E2

G2 flat module for motor starter

2 inputs/2 electronic outputs

VAA-2EA-G2-ZE/E2

G2 flat module

2 inputs (PNP) and 2 electronic outputs

VBA-4E2A-G2-XE/E2

G2 flat module

4 inputs and 2 electronic outputs