

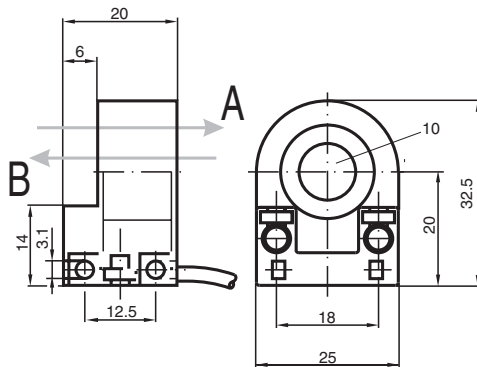
Inductive ring sensor

RC10-14-N3

- 10 mm inside diameter
- Bistable
- Direction detection



Dimensions



Technical Data

General specifications

Switching function	Normally closed (NC)
Output type	NAMUR, bistable
Inside diameter	10 mm
Measuring cylinder	
Diameter	2.5 mm
Length	3 mm
Measuring cone	
Material	9S20K
Output type	2-wire

Nominal ratings

Nominal voltage	U_o	8.2 V (R_i approx. 1 k Ω)
Hysteresis	H	typ. 1 %
Reverse polarity protection		reverse polarity protected
Current consumption		
Traverse B		3 mA
Traverse A		1 mA
Time delay before availability	t_v	≤ 5 ms

Functional safety related parameters

Technical Data

MTTF _d	2144 a	
Mission Time (T _M)	20 a	
Diagnostic Coverage (DC)	0 %	
Compliance with standards and directives		
Standard conformity		
NAMUR	EN 60947-5-6:2000 IEC 60947-5-6:1999	
Standards	EN IEC 60947-5-2	
Approvals and certificates		
ATEX approval		
Equipment protection level Gb	PTB 99 ATEX 2128 X	
FM approval		
Control drawing	116-0165	
UL approval	cULus Listed, General Purpose	
Ambient conditions		
Ambient temperature	-20 ... 100 °C (-4 ... 212 °F)	
Mechanical specifications		
Connection type	cable	
Housing material	PBT	
Degree of protection	IP67	
Cable		
Wire end ferrules	yes	
Cable diameter	2.6 mm ± 0.2 mm	
Bending radius	> 10 x cable diameter	
Material	PVC	
Color	blue	
Number of cores	2	
Core cross section	0.14 mm ²	
Length	L	2 m
Dimensions		
Height	32.5 mm	
Width	25 mm	
Length	20 mm	
General information		
Use in the hazardous area	see instruction manuals	

Connection

