

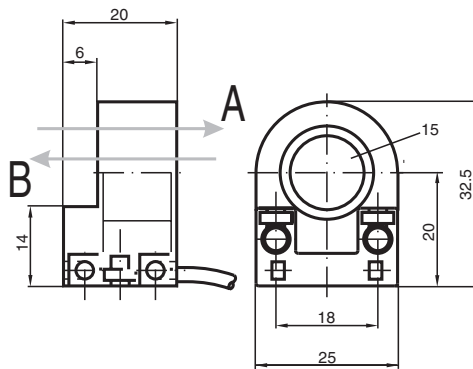
Inductive ring sensor

RC15-14-N3

- 15 mm inside diameter
- Bistable
- Direction detection
- High passage speed
10 m/s



Dimensions



Technical Data

General specifications

Switching function	Normally closed (NC)
Output type	NAMUR, bistable
Inside diameter	15 mm
Measuring cylinder	Fe-metal
Diameter	3 mm
Length	4 mm
Passage speed	v ≤ 10 m/s
Output type	2-wire

Nominal ratings

Nominal voltage	U _o	8.2 V (R _i approx. 1 kΩ)
Operating voltage	U _B	5 ... 25 V
Hysteresis	H	typ. 1 %
Reverse polarity protection		reverse polarity protected
Current consumption		
Traverse B		3 mA
Traverse A		1 mA
Time delay before availability	t _v	≤ 5 ms

Functional safety related parameters

MTTF _d	2240 a
-------------------	--------

Release date: 2025-02-27 Date of issue: 2025-02-27 Filename: 051667_eng.pdf

Technical Data

Mission Time (T _M)		20 a
Diagnostic Coverage (DC)		0 %
Compliance with standards and directives		
Standard conformity		
NAMUR		EN 60947-5-6:2000 IEC 60947-5-6:1999
Standards		EN IEC 60947-5-2
Approvals and certificates		
ATEX approval		
Equipment protection level Gb		PTB 99 ATEX 2128 X
FM approval		
Control drawing		116-0165
UL approval		cULus Listed, General Purpose
Ambient conditions		
Ambient temperature		-20 ... 70 °C (-4 ... 158 °F)
Storage temperature		-40 ... 100 °C (-40 ... 212 °F)
Mechanical specifications		
Connection type		cable
Housing material		PBT
Degree of protection		IP67
Cable		
Wire end ferrules		yes
Cable diameter		2.6 mm ± 0.2 mm
Bending radius		> 10 x cable diameter
Material		PVC
Color		blue
Number of cores		2
Core cross section		0.14 mm ²
Length	L	2 m
Dimensions		
Height		32.5 mm
Width		25 mm
Length		20 mm
General information		
Use in the hazardous area		see instruction manuals

Connection

