



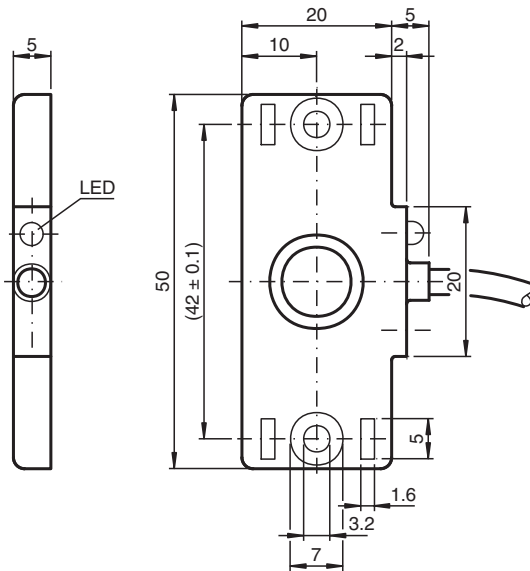
Capacitive sensor

CBN2-F46-E0

- 2 mm non-flush
- 3-wire DC
- Flat housing
- Mounting slots for cable ties
- Thru-holes for screw mounting



Dimensions



Technical Data

General specifications

Switching function		Normally open (NO)
Output type		NPN
Rated operating distance	s_n	2 mm
Installation		non-flush
Output polarity		DC
Assured operating distance	s_a	0 ... 1.4 mm
Output type		3-wire

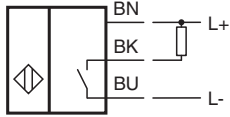
Nominal ratings

Installation conditions		
B		0 mm
C		5 mm
F		20 mm / 50 mm

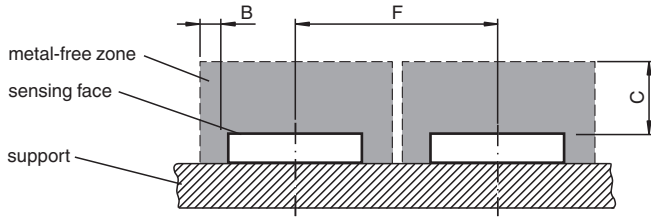
Technical Data

Operating voltage	U_B	10 ... 30 V DC
Switching frequency	f	0 ... 10 Hz
Hysteresis	H	1 ... 10 % typ. 5 %
Reverse polarity protection		reverse polarity protected
Short-circuit protection		pulsing
Voltage drop	U_d	≤ 2 V
Voltage drop at I_L		
Voltage drop $I_L = 10$ mA, switching element on	U_d	0.8 ... 2.2 V typ. 1.4 V
Operating current	I_L	0 ... 100 mA
Lowest operating current	I_m	0 mA
Off-state current	I_r	0 ... 0.5 mA typ. 0.01 mA
Off-state current $T_U = 40$ °C, switching element off		≤ 100 μ A
No-load supply current	I_0	≤ 15 mA
Time delay before availability	t_v	≤ 50 ms
Switching state indicator		LED, yellow
Compliance with standards and directives		
Standard conformity		
Standards		EN IEC 60947-5-2
Approvals and certificates		
UL approval		cULus Listed Load Type: General Purpose Enclosure Type Rating: Type 1
CCC approval		CCC approval / marking not required for products rated ≤ 36 V
Ambient conditions		
Ambient temperature		-25 ... 70 °C (-13 ... 158 °F)
Storage temperature		-40 ... 85 °C (-40 ... 185 °F)
Mechanical specifications		
Connection type		cable
Housing material		PBT
Sensing face		PBT
Degree of protection		IP67
Cable		
Wire end ferrules		yes
Cable diameter		3.5 mm \pm 0.2 mm
Bending radius		> 10 x cable diameter
Material		PVC
Color		grey
Number of cores		3
Core cross section		0.14 mm ²
Length	L	2 m
Dimensions		
Height		5 mm
Width		50 mm
Length		25 mm

Connection Assignment



Installation Conditions



Release date: 2025-06-11 Date of issue: 2025-06-11 Filename: 051968_eng.pdf