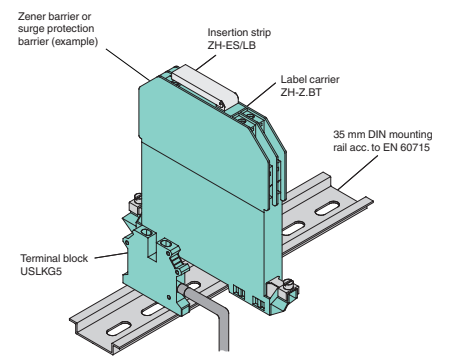
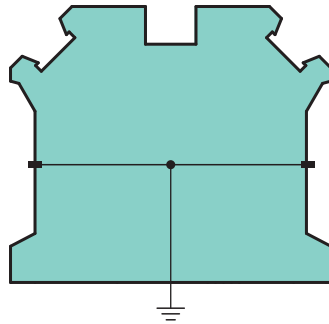


# Terminal Block USLKG5

- Accessory Zener Barriers
- Accessory Surge Protection
- For equipotential bonding via DIN mounting rail

Terminal block for equipotential bonding

## Connection



## Technical Data

### Electrical specifications

Rated surge voltage	8 kV
Overvoltage category	III

### Ambient conditions

Ambient temperature	-60 ... 105 °C (-76 ... 221 °F)
Storage temperature	-25 ... 60 °C (-13 ... 140 °F)
Pollution degree	3

### Mechanical specifications

Connection	screw terminals
Core cross section	0.2 ... 6 mm <sup>2</sup> rated core cross section 4 mm <sup>2</sup>
Material	insulating material : Polyamide (PA)
Mass	20 g
Dimensions	6.2 x 42.5 x 45.8 mm (0.24 x 1.7 x 1.8 inch) (W x H x D)
Structure	one-rowed
Mounting	on 35 mm DIN mounting rail acc. to EN 60715:2001

Release date: 2022-10-19 Date of issue: 2022-10-19 Filename: 053662\_eng.pdf