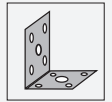




Mounting aid

OMH-RL39

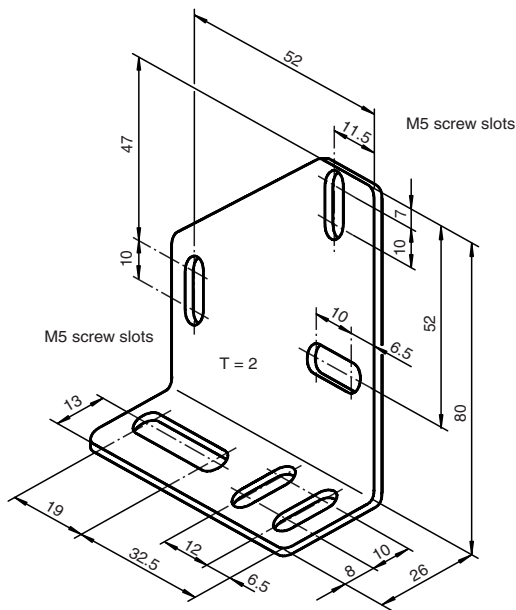
- Mounting bracket
- Simple and fast mounting



Mounting bracket for RL39 series Sensors



Dimensions



Technical Data

Mechanical specifications

Material	Metal sheet (steel), zinc-plated
Mass	approx. 85 g
Mounting	Mounting accessories included

Suitable series

Series	RL39
--------	------