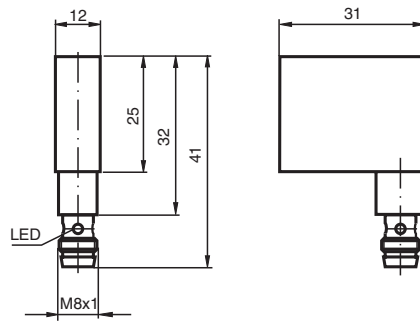


# Inductive sensor NJ1,5-F2-E2-V3

■ Comfort series



## Dimensions



## Technical Data

### General specifications

Switching function		Normally open (NO)
Output type		PNP
Rated operating distance	$s_n$	1.5 mm
Installation		flush
Output polarity		DC
Assured operating distance	$s_a$	0 ... 1.215 mm
Output type		3-wire

### Nominal ratings

Operating voltage	$U_B$	10 ... 30 V
Switching frequency	$f$	1000 Hz
Hysteresis	$H$	typ. 5%
Reverse polarity protection		reverse polarity protected
Short-circuit protection		pulsing
Voltage drop	$U_d$	$\leq 3$ V
Operating current	$I_L$	0 ... 200 mA
No-load supply current	$I_0$	$\leq 15$ mA
Switching state indicator		LED, red

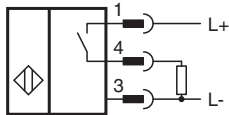
### Compliance with standards and directives

Standard conformity	
---------------------	--

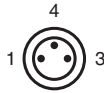
## Technical Data

Standards	EN IEC 60947-5-2
<b>Approvals and certificates</b>	
UL approval	cULus Listed, General Purpose
<b>Ambient conditions</b>	
Ambient temperature	-25 ... 70 °C (-13 ... 158 °F)
<b>Mechanical specifications</b>	
Connection type	Connector plug M8 x 1 , 3-pin
Housing material	Polyamide (PA)
Degree of protection	IP67
<b>Dimensions</b>	
Height	25 mm
Width	12 mm
Length	31 mm
Note	Use a stop screw combined with a model -F2 sensor from Pepperl+Fuchs GmbH. The maximum actuation speed of the control slide is 0.1 m/s

## Connection



## Connection Assignment



Wire colors in accordance with EN 60947-5-2

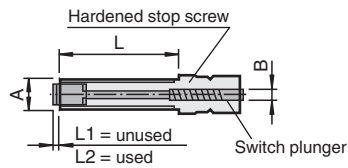
1	BN	(brown)
3	BU	(blue)
4	BK	(black)

**Additional Information**

The inductive proximity sensor with plug-in acknowledgement elements is designed for applications where the simple installation of an adjustable mechanical stop with electronic acknowledgement is required.

Heavy duty fine threaded stop screws serve as finely adjustable end stops. The state of the acknowledgement element is indicated by the built-in LED on the proximity sensor.

Accessories:  
Stop screws (Acknowledgement elements)



Type Coding	A	B	L	L1	L2	Load F max.
AS 08/15	M 8 x 1	6	15	3.5	2	2 000 N
AS 08/40	M 8 x 1	6	40	3.5	2	2 000 N
AS 10/50	M 10 x 1	7	50	2.5	1	9 500 N
AS 12/60	M 12 x 1	9	60	2	0.5	20 500 N
AS 12/80	M 12 x 1	9	80	2	0.5	20 500 N

