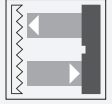


Retroreflective sensor

RL39-55/32/35/40a/82a/116

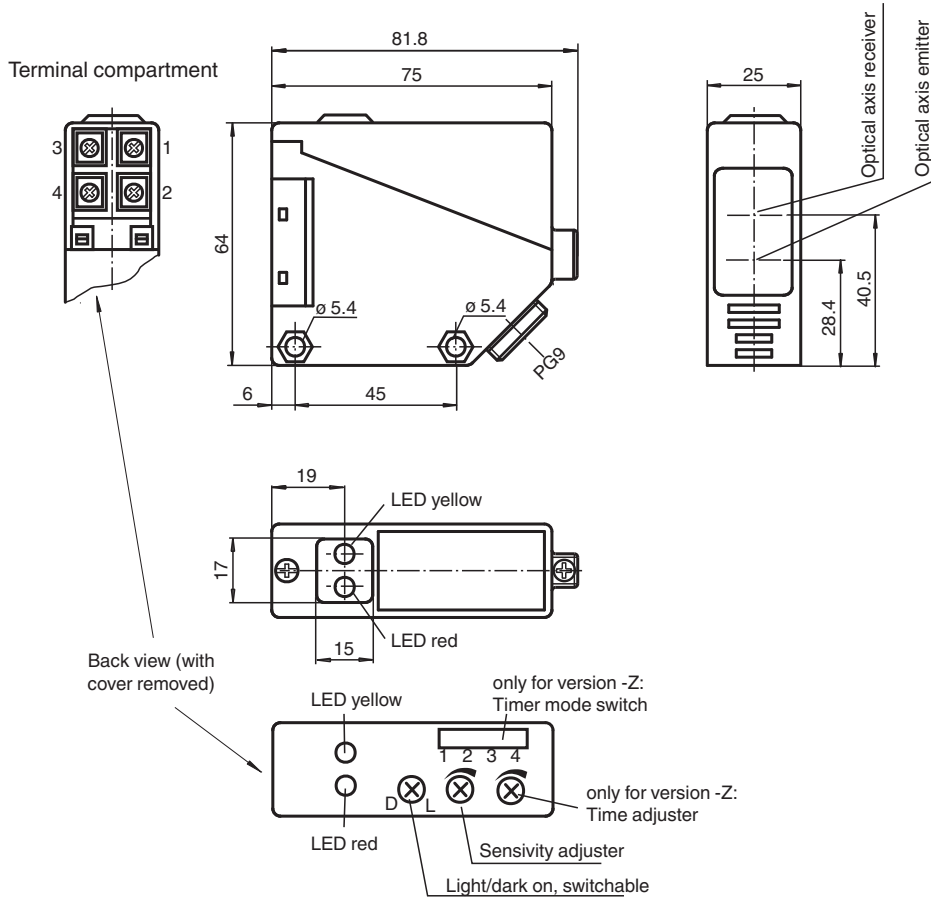


- Visible red light
- Light-on/dark-on, switchable
- Degree of protection IP54

Retroreflective sensor without polarization filter



Dimensions



Technical Data

General specifications

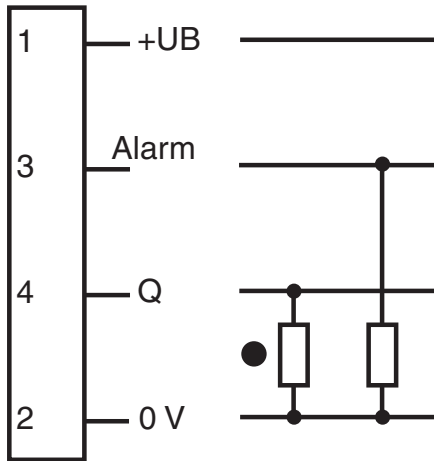
Release date: 2024-03-28 Date of issue: 2024-03-28 Filename: 088813_eng.pdf

Technical Data

Effective detection range	0 ... 17 m	
Reflector distance	0.1 ... 17 m	
Threshold detection range	20 m	
Reference target	H50 reflector	
Light source	LED red	
Light type	modulated visible red light	
Polarization filter	no	
Ambient light limit	IEC / EN 60947-5-2 , 10000 Lux	
Functional safety related parameters		
MTTF _d	800 a	
Mission Time (T _M)	20 a	
Diagnostic Coverage (DC)	0 %	
Indicators/operating means		
Function indicator	LED yellow: switching state LED red: pre-fault indication	
Control elements	Sensing range adjuster, light-on/dark-on changeover switch	
Electrical specifications		
Operating voltage	U _B	10 ... 30 V DC
Ripple	10 %	
No-load supply current	I ₀	≤ 20 mA
Time delay before availability	t _v	≤ 300 ms
Output		
Stability alarm output	1 PNP, active when falling short of the stability control	
Switching type	light/dark on	
Signal output	1 PNP output, short-circuit protected, reverse polarity protected, open collector	
Switching voltage	max. 30 V DC	
Switching current	max. 200 mA , resistive load	
Voltage drop	U _d	≤ 3 V
Switching frequency	f	≤ 300 Hz
Response time	≤ 1.5 ms	
Conformity		
Product standard	EN 60947-5-2	
Approvals and certificates		
Approvals	CE	
Ambient conditions		
Ambient temperature	-25 ... 55 °C (-13 ... 131 °F)	
Storage temperature	-40 ... 70 °C (-40 ... 158 °F)	
Mechanical specifications		
Degree of protection	IP54	
Connection	terminal compartment PG9 , ≤ 0.75 mm ²	
Material		
Housing	PBT	
Optical face	PMMA	
Mass	approx. 100 g	
Dimensions		
Height	64 mm	
Width	25 mm	
Depth	75 mm	
General information		
Scope of delivery	Mounting aid , Reflector	

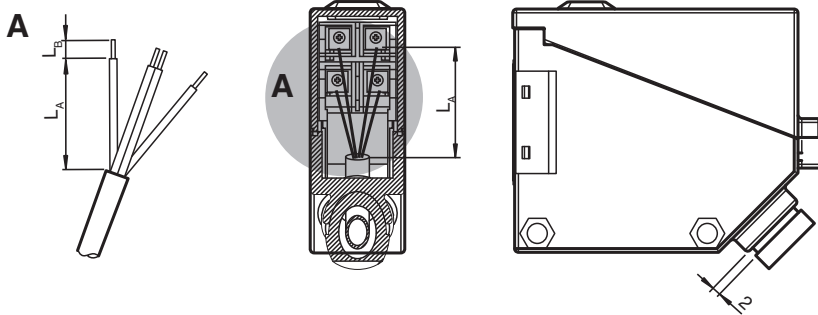
Connection Assignment

Option: 32/40a/82a/116



○ = Light on
● = Dark on

Installation



Wire length L_A [mm]	Strip length L_B [mm]
30±2	5±1

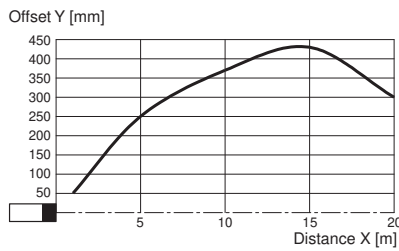
Recommendations for cable installation:

1. Use flexible cable with a bending radius less than 5 x outer diameter.
2. Use cable with an outer diameter of 6.2 ±0.2 mm with the provided gasket with an inner diameter of 7 mm.
3. Cut, strip, and crimp the cable according to the dimensions in the table above.
4. Ensure that the distance between cable gland and housing is approximately 2 mm. Do not screw in the cable gland fully.

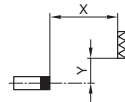
Release date: 2024-03-28 Date of issue: 2024-03-28 Filename: 088813_eng.pdf

Characteristic Curve

Characteristic response curve



Permissible distance (offset) between optical axis and retro-reflector.



Additional Information

System Description

A retroreflective sensor contains emitters and receivers integrated in a single housing. The emitted light is reflected back to the receiver by a reflector. When the light beam is interrupted by an object, the switching function is triggered.

Mounting

The sensors can be mounted directly with thru-holes or using the mounting bracket supplied.

Ensure that the background is level to prevent the housing from becoming distorted when the fittings are tightened.

Secure the nuts and screws with spring disks to prevent the sensor from becoming misaligned.

Mount a suitable reflector opposite the light barrier. Roughly align the sensor (without an object) with the reflector. Next, adjust the sensor to the reflector by swiveling the sensor horizontally and vertically so that the yellow signal indicator lights up continuously. In the event of misalignment, the red signal indicator lights up.

Commissioning

Checking object detection: Follow the steps below to check that the sensor detects objects as required.

Position the object in the beam path of the sensor.

When the object is detected, the yellow signal indicator goes out. If the yellow signal indicator remains lit, reduce the sensitivity of the potentiometer until the yellow signal indicator goes out.

When the object disappears from the beam path of the sensor, the yellow signal indicator lights up again continuously.

Maintenance

Cleaning: If the transmission reception deteriorates, e.g., due to dirt or misalignment, and is lower than the functional reserve, the red signal indicator on the receiver lights up. Clean the optical interfaces of the sensor (e.g., lenses) at regular intervals.

Maintenance: Check the mounting fittings and the electrical connections regularly.