

Diffuse mode sensor

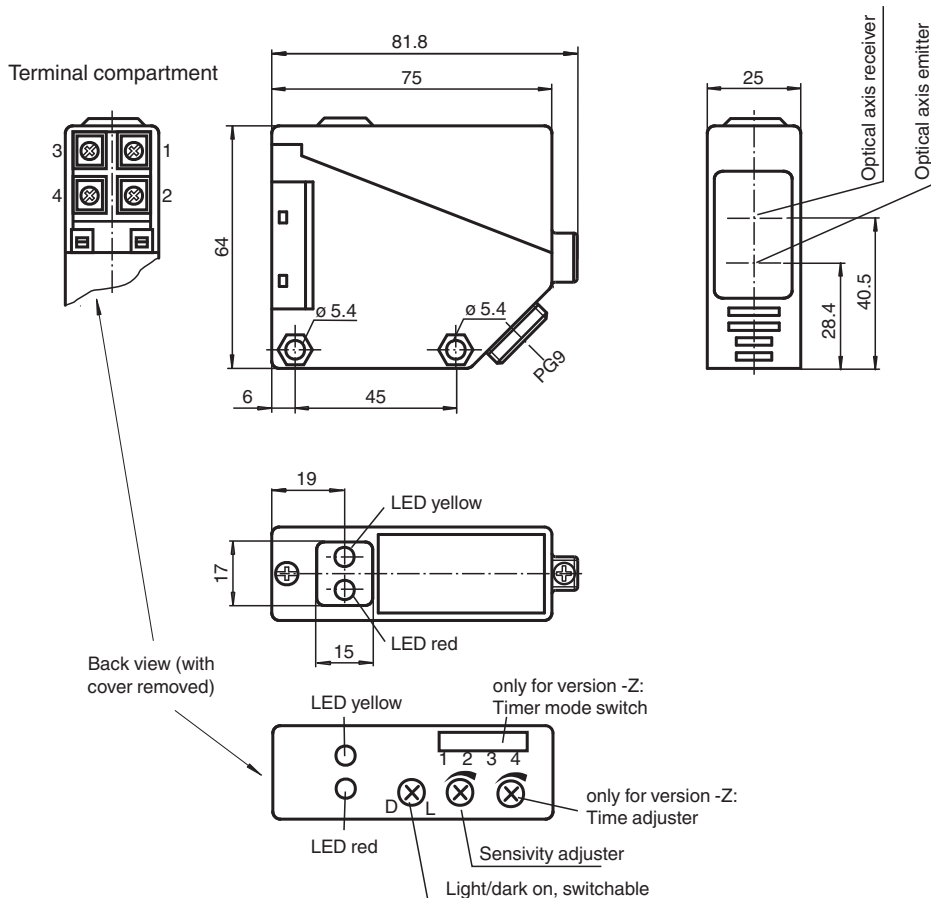
RLK39-8-2000-Z/31/40a/116



- Infrared light
- Light-on/dark-on, switchable
- Timer function
- Degree of protection IP54



Dimensions



Technical Data

General specifications

Release date: 2024-03-28 Date of issue: 2024-03-28 Filename: 088828_eng.pdf

Technical Data

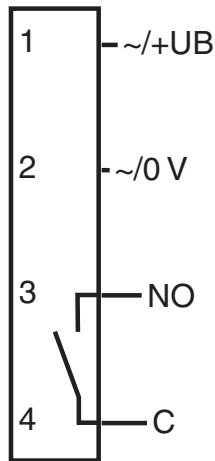
Detection range		0 ... 2000 mm
Adjustment range		200 ... 2000 mm
Reference target		standard white 200 mm x 200 mm
Light source		IRED
Light type		modulated infrared light
Ambient light limit		IEC / EN 60947-5-2 , 10000 Lux
Functional safety related parameters		
MTTF _d		803 a
Mission Time (T _M)		20 a
Diagnostic Coverage (DC)		0 %
Indicators/operating means		
Function indicator		LED yellow: switching state LED red: pre-fault indication
Control elements		Sensing range adjuster, light-on/dark-on changeover switch
Control elements		switch for timer function
Electrical specifications		
Operating voltage	U _B	12 ... 240 V DC 24 ... 240 V AC (50 ... 60 Hz)
Ripple		10 %
No-load supply current	I ₀	≤ 50 mA
Protection class		II, rated voltage ≤ 250 V AC with pollution degree 1-2 according to IEC 60664-1 Caution! The protection class 2 is only valid when the terminal compartment is closed. output circuit has basic insulation to control circuit according to IEC/EN 61140
Power consumption	P ₀	≤ 3 VA
Time delay before availability	t _v	≤ 300 ms
Output		
Switching type		light/dark on
Signal output		1 relay output
Switching voltage		max. 240 V AC ; 150 V DC
Switching current		max. 3 A
Switching power		DC: max. 90 W AC: max. 750 VA
Switching frequency	f	≤ 25 Hz
Response time		≤ 20 ms
Timer function		On-/off-delay or pulse extension on choice
Conformity		
Product standard		EN 60947-5-2
Approvals and certificates		
CCC approval		Certified by China Compulsory Certification (CCC)
Approvals		CE
Ambient conditions		
Ambient temperature		-25 ... 55 °C (-13 ... 131 °F)
Storage temperature		-40 ... 70 °C (-40 ... 158 °F)
Mechanical specifications		
Degree of protection		IP54
Connection		terminal compartment PG9 , ≤ 0.75 mm ²
Material		
Housing		PBT
Optical face		PMMA
Mass		approx. 110 g
Dimensions		
Height		64 mm
Width		25 mm
Depth		75 mm
General information		

Technical Data

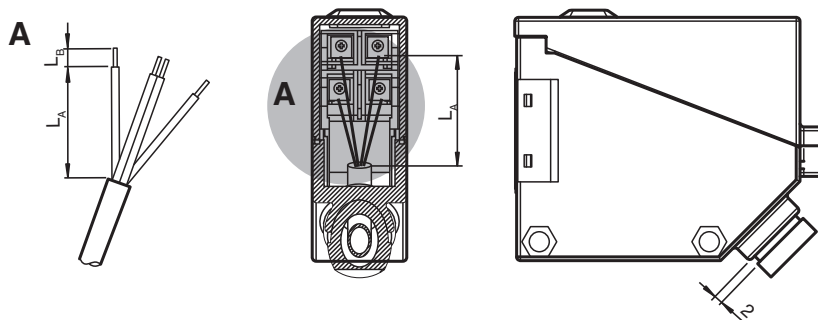
Scope of delivery

Mounting aid

Connection Assignment



Installation



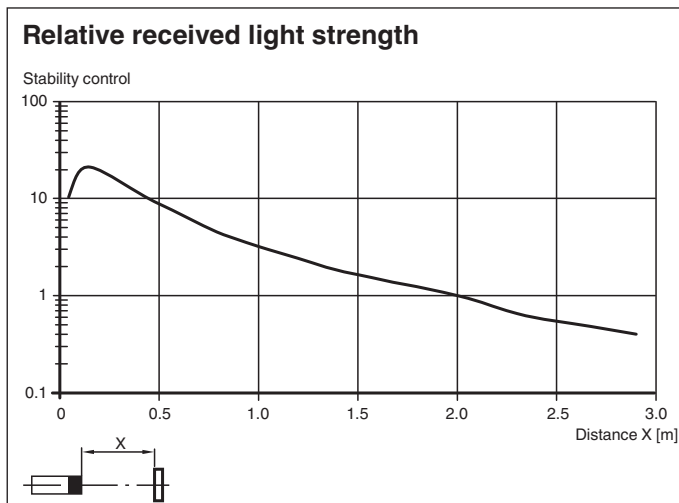
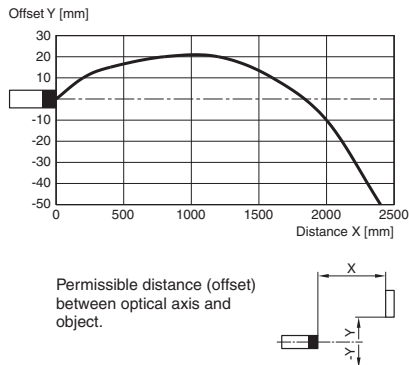
Wire length L_A [mm]	Strip length L_B [mm]
30 ± 2	5 ± 1

Recommendations for cable installation:

1. Use flexible cable with a bending radius less than 5 x outer diameter.
2. Use cable with an outer diameter of 6.2 ± 0.2 mm with the provided gasket with an inner diameter of 7 mm.
3. Cut, strip, and crimp the cable according to the dimensions in the table above.
4. Ensure that the distance between cable gland and housing is approximately 2 mm. Do not screw in the cable gland fully.

Characteristic Curve

Characteristic response curve



Additional Information

System Description

A retroreflective sensor contains both an emitter and a receiver in a single housing. The light of the emitter is reflected by the detected object, returned to, and evaluated by the receiver. The sensing range depends on the object color. For dark or very small objects, the sensing range is reduced.

Mounting

The sensors can be mounted directly with thru-holes or using the mounting bracket supplied. Ensure that the background is level to prevent the housing from becoming distorted when the fittings are tightened. Secure the nuts and screws with spring disks to prevent the sensor from becoming misaligned.

Aligning the sensor:

Align the sensor with the background. Yellow signal indicator lights up continuously: Use the sensing range adjuster to set the sensing range correctly. When the sensing range is right, the yellow signal indicator goes out.

Commissioning

Check Object Detection: Check as follows if the sensor detects objects as intended. Position the object in the required sensing range of the sensor and align the light spot towards the object. The yellow signal indicator is off. The indicator lights up only when the object is detected.

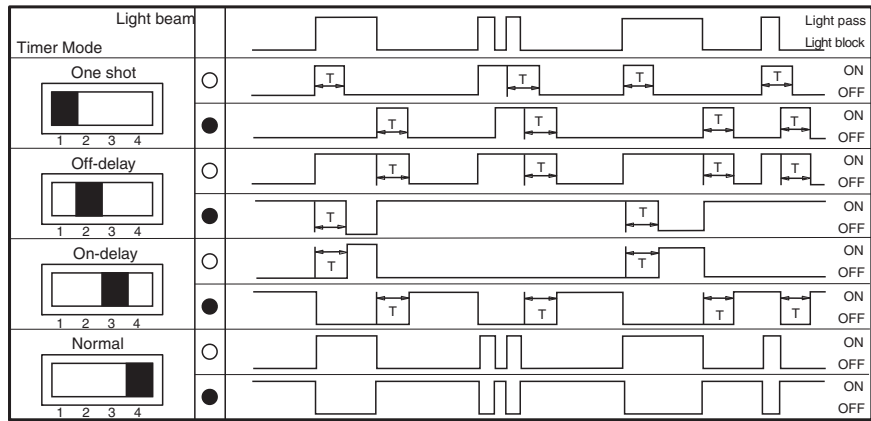
Troubleshooting: If the sensor does not respond as expected, change the sensing range setting until the signal indicator lights up during object detection.

Maintenance

Cleaning: If the transmission reception deteriorates, e.g., due to dirt or misalignment, and is lower than the functional reserve, the red signal indicator on the receiver lights up. Clean the optical interfaces of the sensor (e.g., lenses) at regular intervals.

Maintenance: Check the mounting fittings and the electrical connections regularly.

Configuration



○ Denotes Light - ON T= 0.1 10 sec.
 ● Denotes Dark - ON