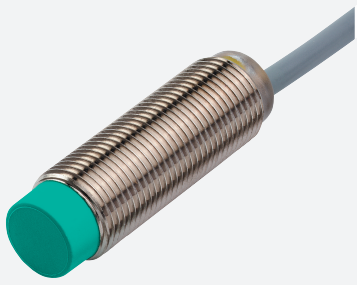


Inductive sensor

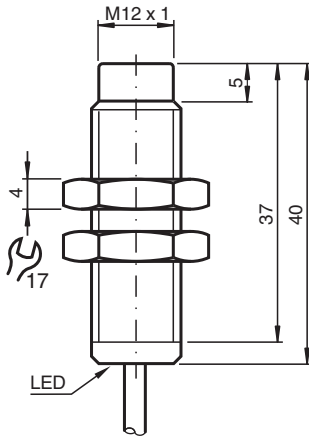
NCN4-12GM40-Z0-5M



- 4 mm non-flush
- 2-wire DC



Dimensions



Technical Data

General specifications			
Rated operating distance	s_n		4 mm
Installation			non-flush
Output polarity			DC
Assured operating distance	s_a		0 ... 3.24 mm
Actual operating distance	s_r		3.6 ... 4.4 mm typ.
Reduction factor r_{Al}			0.42
Reduction factor r_{Cu}			0.4
Reduction factor r_{304}			0.75
Output type			2-wire
Nominal ratings			
Operating voltage	U_B		5 ... 60 V
Switching frequency	f		0 ... 800 Hz
Hysteresis	H		1 ... 10 % typ. 5 %
Reverse polarity protection			reverse polarity tolerant
Short-circuit protection			pulsing
Voltage drop	U_d		≤ 5 V

Release date: 2024-10-17 Date of issue: 2024-10-17 Filename: 089245_eng.pdf

Technical Data

Operating current	I_L	2 ... 100 mA
Lowest operating current	I_m	2 mA
Off-state current	I_r	0 ... 0.5 mA typ.
Switching state indicator		all direction LED, yellow
Functional safety related parameters		
MTTF _d		2020 a
Mission Time (T _M)		20 a
Diagnostic Coverage (DC)		0 %
Compliance with standards and directives		
Standard conformity		
Standards		EN IEC 60947-5-2
Approvals and certificates		
UL approval		cULus Listed, General Purpose
CCC approval		Certified by China Compulsory Certification (CCC)
Ambient conditions		
Ambient temperature		-25 ... 70 °C (-13 ... 158 °F)
Mechanical specifications		
Connection type		cable
Housing material		Stainless steel 1.4305 / AISI 303
Sensing face		PBT
Degree of protection		IP67
Cable		
Wire end ferrules		yes
Cable diameter		3.5 mm ± 0.2 mm
Bending radius		> 10 x cable diameter
Material		PUR
Color		black
Number of cores		2
Core cross section		0.14 mm ²
Length	L	5 m
Mass		91 g
Dimensions		
Length		40 mm
Diameter		12 mm

Connection

