

Mounting flange

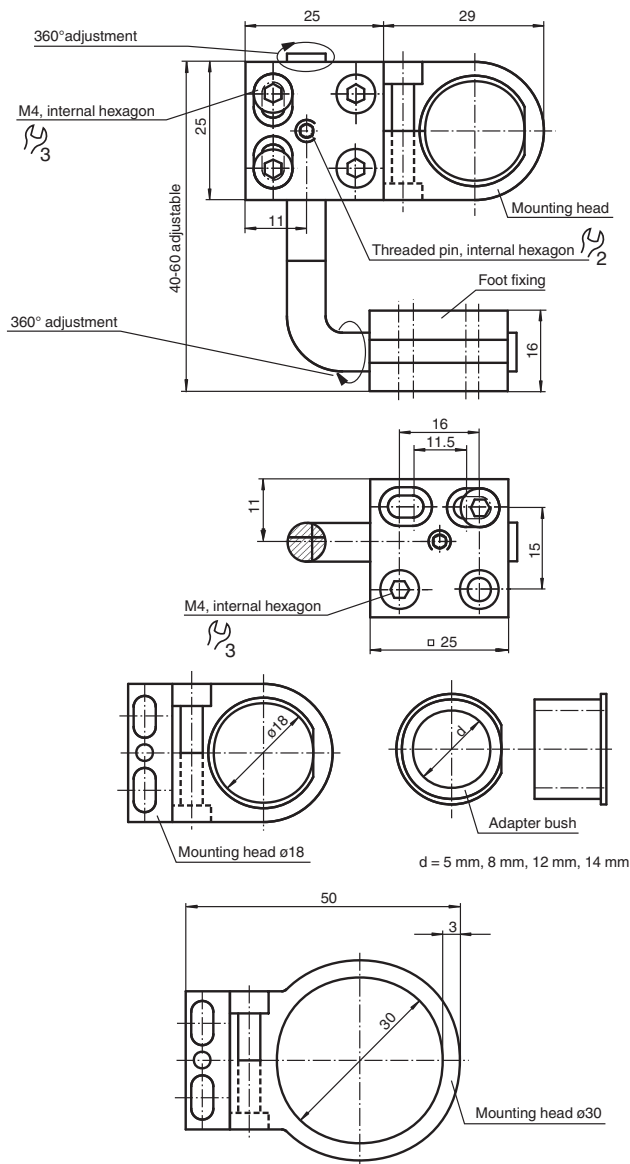
BF 5-30



- Secure fixing
- Simple mounting
- Mounting head and foot fixing may be independently rotated through 360°
- Robust construction

Universal mounting bracket for cylindrical sensors with a diameter of 5 ... 30 mm

Dimensions



Release date: 2020-06-22 Date of issue: 2020-06-29 Filename: 091198_eng.pdf

Technical Data**Ambient conditions**

Ambient temperature -25 ... 85 °C (-13 ... 185 °F)

Mechanical specifications

Note Also suited for threaded photodetectors in series KT10, GLV12, VL18, 18GM60, CP18 and GLV30.

Scope of Delivery

The mounting adapter is supplied with 2 mounting heads ($\varnothing 18$ mm, $\varnothing 30$ mm) and 4 adapter bushes ($\varnothing 5$ mm, $\varnothing 8$ mm, $\varnothing 12$ mm, $\varnothing 14$ mm).