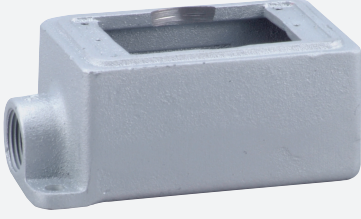


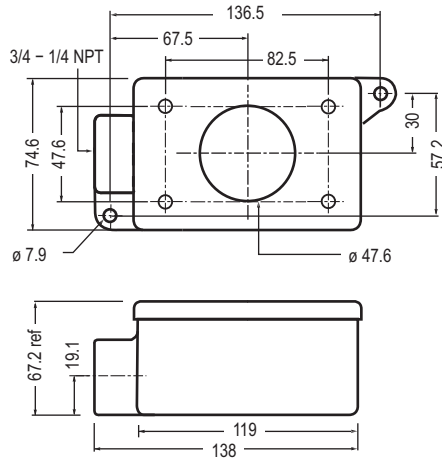
Palm Button Accessories

PB-FSBG-1H



one hub box

Dimensions



Technical Data

Mechanical specifications

Mounting hole pattern	7.9 mm
Material	metal

Release date: 2022-07-19 Date of issue: 2022-07-19 Filename: 091709_eng.pdf