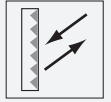




Reflective tape

RT3 X 100

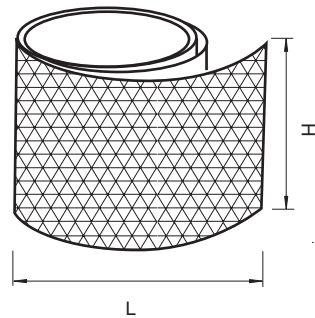
- Reflective tape, pre-cut, corner-cube
- 150' rolls available
- Can be cut



Reflective tape



Dimensions



Technical Data

General specifications

Construction type rectangular

Ambient conditions

Ambient temperature -20 ... 82.22 °C (-4 ... 180 °F)

Mechanical specifications

Dimensions 3.0 x 100.0 inch (76.2 mm x 2540 mm)

Mounting self-adhesive

Storage Store cool and dry

Application

Reflectors

Polarized retro-reflective sensors must use corner-cube reflectors.

Microstructure, corner-cube reflectors are used with laser retro-reflective sensors that have short sensing distances.