



## Base for read/write station

### U-P6-B6

- PROFIBUS DP acc. to EN 50170
- 2 PG screw fittings for IN and OUT supply
- 2 EMV PG screw fittings for BUS IN and OUT
- Complete read/write functionality via the PROFIBUS DP
- Transmission of up to 7 double words, 32 bit each, in one cycle
- Connectable bus termination
- Field device with degree of protection IP67

Base for PROFIBUS DP



## Function

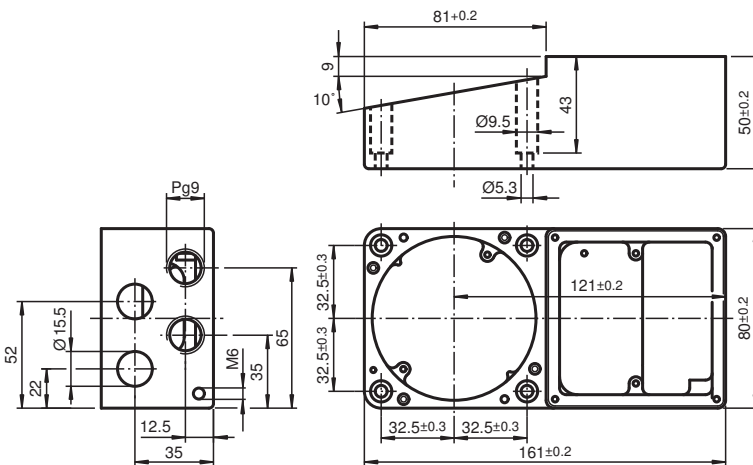
The base is used in combination with an upper part, the IPT\*-FP read/write station.

The device is operated as a slave on the PROFIBUS DP. The device makes available the complete read/write functionality. Up to 32 bytes are transmitted per cycle. Of these, up to 7 double words, each with 32 bits, are available to the user.

The address is set and the terminating resistor for the bus is connected via DIP switches.

While the bus termination is switched on, the subsequent subscribers which are connected to the terminals (P, N out) are disconnected from the bus.

## Dimensions



## Technical Data

### Indicators/operating means

DIP switch	Setting the station address bus connection ON = active OFF = non-active
------------	---

### Electrical specifications

Rated operating voltage	$U_e$	20 ... 30 V DC , ripple 10 % <sub>SS</sub> , PELV
Power consumption	$P_0$	max. 5 W with read/write head IPT*-FP

### Galvanic isolation

Operating voltage/interface	functional insulation acc. to DIN EN 50178, rated insulation voltage 50 V <sub>eff</sub>
-----------------------------	--

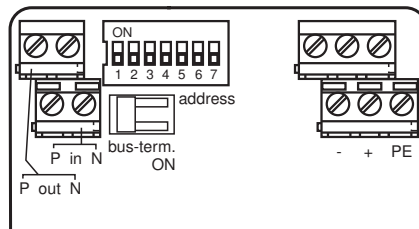
### Interface

Physical	RS-485
----------	--------


## Technical Data

Protocol	PROFIBUS DP acc. to EN 50170
Transfer rate	9.6; 19.2; 93.75; 187.5; 500; 1500 kBit/s 3; 6; 12 Mbit/s self-synchronizing
<b>Ambient conditions</b>	
Ambient temperature	-25 ... 70 °C (-13 ... 158 °F)
Storage temperature	-40 ... 85 °C (-40 ... 185 °F)
<b>Mechanical specifications</b>	
Degree of protection	IP67 according to EN 60529 with IPT*-FP
Connection	screw terminals
Interface cable	2 x 0.64 mm <sup>2</sup> , double screened, acc. to PROFIBUS standard EN 50170
Supply	up to 3 x 1.5 mm <sup>2</sup>
<b>Material</b>	
Housing	aluminum, black anodized

## Connection



## Matching system components

	<b>IPT1-FP</b>	LF R/W system, fully assembled as configuration and test station
---	----------------	--