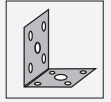


Mounting aid

OMH-03

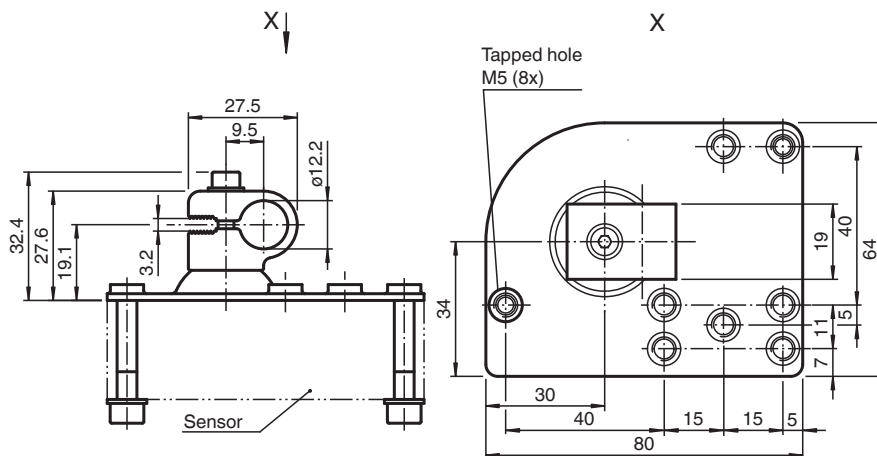
- Bracket for round steel or sheet



Mounting aid for round steel \varnothing 12 mm or sheet 1.5 mm ... 3 mm



Dimensions



Technical Data

Mechanical specifications	
Material	Metal sheet (steel), zinc-plated aluminum
Mass	approx. 85 g
Suitable series	
Series	RL36 RL39 EDM3,5 EDM5 EDM20

Accessories

	OMH-SLCT-12-500	Mounting bracket, muting arm with round rod d=12 mm
--	------------------------	---

Release date: 2020-03-20 Date of issue: 2020-06-29 Filename: 097463_eng.pdf