

# Timer, Counter, Tachometer

## KCT-6S-C

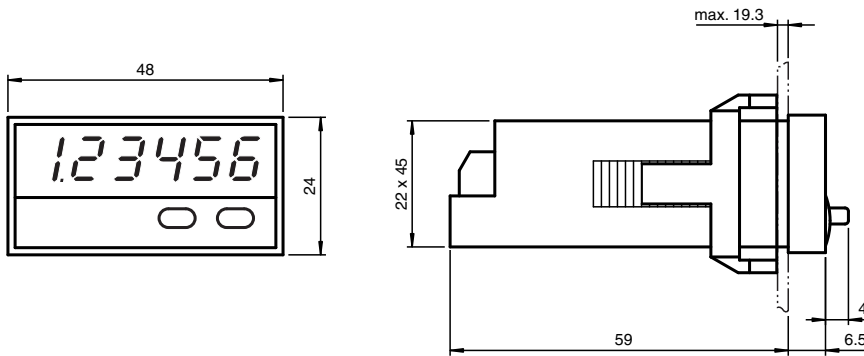


- Counter frequency up to 20 kHz
- LED indicator, red
- 6 decade devices
- Operation via keypad
- Two counter inputs
- Fixing with plug-in frame for easy installation
- Connection via screw terminals
- Manual or external reset
- PNP and NPN sensors can be connected
- Shock resistance in accordance with DIN EN 60068-2-27
- Vibration resistance in accordance with DIN EN 60068-2-6

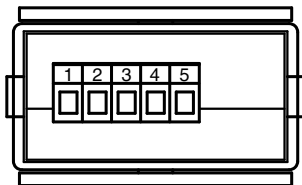
Counter



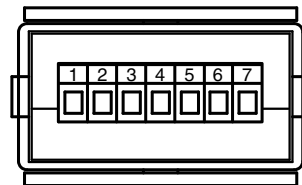
### Dimensions



KCT-6S-C



KCT-6ST-C



### Technical Data

#### General specifications

|               |  |
|---------------|--|
| Pre-selection | -  |
| Data storage  | 10 <sup>6</sup> storage cycles or 10 years, EEPROM |
| Programming   | keypad-driven menu                                 |

#### Indicators/operating means

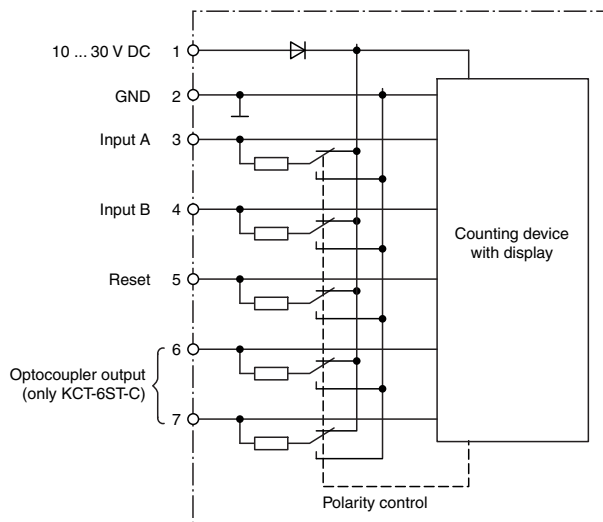
|                  |                            |
|------------------|----------------------------|
| Type             | 7-segment LED display, red |
| Number of digits | 6                          |
| Display value    | digit height 8 mm          |
| Pre-selection    | -                          |

Release date: 2023-11-21 Date of issue: 2023-11-21 Filename: 097901\_eng.pdf

**Technical Data**

|                                  |       |  |  |
|----------------------------------|-------|--|--|
| Key interlock                    | -     |  |  |
| Display interval                 |       | -199999 ... 999999 with suppression of leading zeros                           |  |
| Decimal point                    |       | 0 to max 3 fractional digits   |  |
| Scale factor                     |       | 0.0001 ... 99.9999   |  |
| Reset                            |       | manually or external   |  |
| <b>Electrical specifications</b> |       |  |  |
| Operating voltage                | $U_B$ | 10 ... 30 V DC   |  |
| Power consumption                | $P_0$ | 1.5 W  |  |
| <b>Input</b>                     |       |  |  |
| Counting frequency               |       | 30 Hz / 20 kHz   |  |
| Impedance                        |       | 10 kOhm  |  |
| Voltage                          |       | low: 0 V DC ... 0.2 x supply voltage; high: 0.6 x supply voltage ... 30 V DC   |  |
| Counting method                  |       | adding or subtracting  |  |
| <b>Ambient conditions</b>        |       |  |  |
| Ambient temperature              |       | -10 ... 50 °C (14 ... 122 °F)  |  |
| Storage temperature              |       | -25 ... 70 °C (-13 ... 158 °F)   |  |
| Relative humidity                |       | ≤ 80 % (noncondensing)   |  |
| <b>Mechanical specifications</b> |       |  |  |
| Connection                       |       | 5-pin screw terminal ,<br>max. core cross section 0.34 ... 1.5 mm <sup>2</sup> |  |
| Mass                             |       | 48 g   |  |
| Dimensions                       |       | 48 mm x 24 mm x 65 mm  |  |
| Mounting                         |       | latch fastener   |  |

**Connection**



Release date: 2023-11-21 Date of issue: 2023-11-21 Filename: 097901\_eng.pdf