

Counter

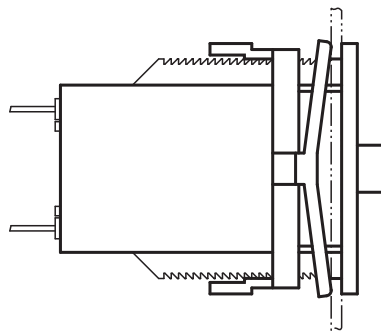
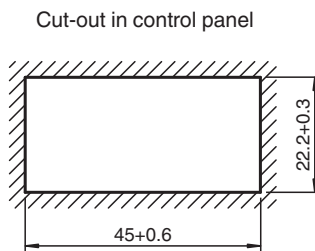
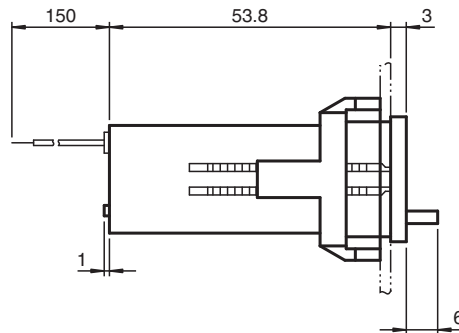
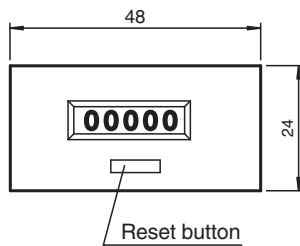
KCM-51-C



- Electromechanical summator
- 5 decade devices
- Counter frequency 10 Hz
- Manual reset
- Power supply 24 V DC
- Fixing with latch fastener for easy installation
- Degree of protection IP42 in accordance with DIN EN 60529 (front only)
- Shock resistance in accordance with DIN EN 60068-2-27
- Vibration resistance in accordance with DIN EN 60068-2-6



Dimensions



Technical Data

Indicators/operating means

| | | |
|------------------|-------------------|--|
| Type | digital display | |
| Number of digits | 5 | |
| Display value | digit height 4 mm | |
| Reset | manually | |

Electrical specifications

| | | |
|-------------------|-------|---------|
| Operating voltage | U_B | 24 V DC |
| Power consumption | P_0 | 0.6 W |

Input

| | |
|-----------------------------|---------------|
| Pulse length/pulse interval | 50 ms / 50 ms |
|-----------------------------|---------------|

Release date: 2023-11-21 Date of issue: 2023-11-21 Filename: 097905_eng.pdf

Technical Data

| | |
|----------------------------------|--------------------------------------|
| Counting frequency | 10 Hz |
| Ambient conditions | |
| Ambient temperature | -10 ... 50 °C (14 ... 122 °F) |
| Storage temperature | -40 ... 90 °C (-40 ... 194 °F) |
| Relative humidity | ≤ 80 % (noncondensing) |
| Mechanical specifications | |
| Connection | flexible leads AWG 22 150 mm long |
| Mass | 62 g |
| Dimensions | 48 mm x 24 mm x 59 mm |
| Mounting | latch fastener |
| Life span | > 50 x 10 ⁶ pulses |

Connection

