

Counter

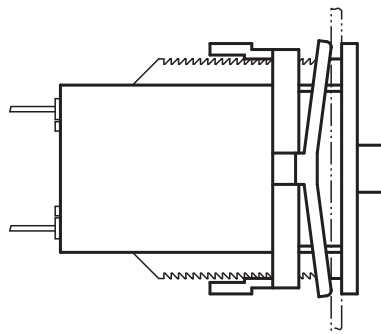
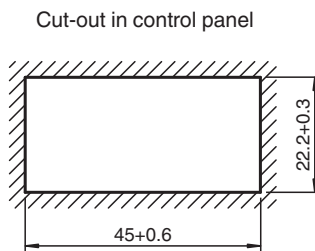
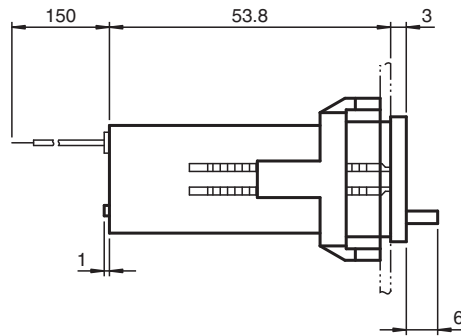
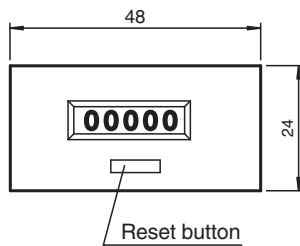
KCM-51-V



- Electromechanical summator
- 5 decade devices
- Counter frequency 10 Hz
- Manual reset
- Power supply 230 V AC
- Fixing with latch fastener for easy installation
- Degree of protection IP42 in accordance with DIN EN 60529 (front only)
- Shock resistance in accordance with DIN EN 60068-2-27
- Vibration resistance in accordance with DIN EN 60068-2-6



Dimensions



Technical Data

Indicators/operating means

Type	digital display	
Number of digits	5	
Display value	digit height 4 mm	
Reset	manually	

Electrical specifications

Operating voltage	U _B	230 V AC
Power consumption	P ₀	1.3 VA

Input

Pulse length/pulse interval	50 ms / 50 ms
-----------------------------	---------------

Release date: 2023-11-21 Date of issue: 2023-11-21 Filename: 097906_eng.pdf

Technical Data

Counting frequency	10 Hz
Ambient conditions	
Ambient temperature	-10 ... 50 °C (14 ... 122 °F)
Storage temperature	-40 ... 90 °C (-40 ... 194 °F)
Relative humidity	≤ 80 % (noncondensing)
Mechanical specifications	
Connection	flexible leads AWG 22 150 mm long
Mass	48 g
Dimensions	48 mm x 24 mm x 59 mm
Mounting	latch fastener
Life span	> 50 x 10 ⁶ pulses

Connection

