

# Counter

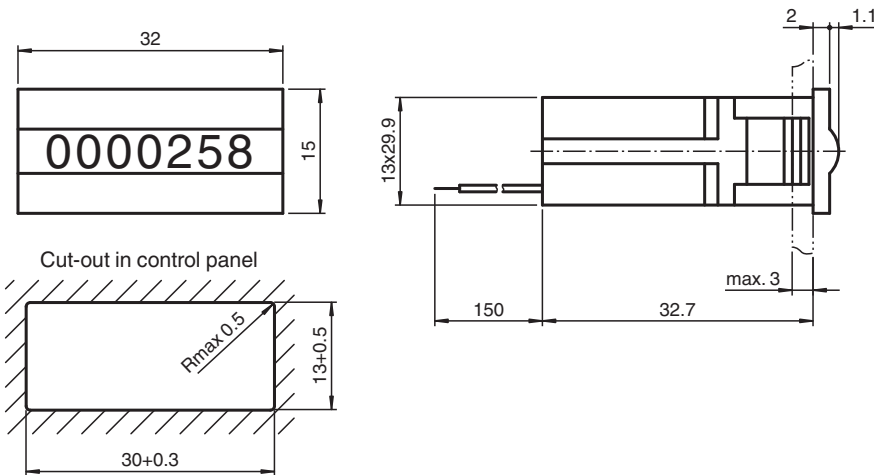
## KCM-70A-V



- Electromechanical summator
- 7 decade devices
- Counter frequency 10 Hz
- Without reset
- Power supply 230 V AC
- Fixing with latching spring or latch fastener for easy installation
- Degree of protection IP65 in accordance with DIN EN 60529 (front only)
- Shock resistance in accordance with DIN EN 60068-2-27
- Vibration resistance in accordance with DIN EN 60068-2-6



### Dimensions



### Technical Data

#### Indicators/operating means

Type	digital display
Number of digits	7
Display value	digit height 4 mm

#### Electrical specifications

Operating voltage	$U_B$	230 V AC $\pm$ 10 %
Power consumption	$P_0$	0.9 VA

#### Input

Pulse length/pulse interval	50 ms / 50 ms
Counting frequency	10 Hz

#### Ambient conditions

Ambient temperature	-10 ... 60 °C (14 ... 140 °F)
Storage temperature	-40 ... 90 °C (-40 ... 194 °F)
Relative humidity	$\leq$ 80 % (noncondensing)

#### Mechanical specifications

Connection	flexible leads AWG 22 150 mm long
------------	--------------------------------------

Release date: 2023-11-21 | Date of issue: 2023-11-21 | Filename: 097909\_eng.pdf

## Technical Data

Mass	18 g
Dimensions	32 mm x 15 mm x 36 mm
Mounting	Locating springs
Life span	> 50 x 10 <sup>6</sup> pulses

## Connection

